



Surge Protection Devices

The Hatch LSP10-SM surge protection device provides single phase protection for line/neutral, line/ground, and neutral/ground. The LSP10-SM offers protection for LED luminaires in a small and convenient flat form factor. The surge protector is a **Type 4CA SPD** suitable for field or factory installation and is designed to be wired in parallel. The LSP10-SM also protects Electronic Fluorescent and HID ballasts as well as all other electronic products. The LSP10-SM is designed to meet the following testing requirements:

Standard	Category
ANSI C136.2-2018	Enhanced Test Level
IEEE C62.41.2-2002	Cat. C High Exposure (10kV, 1.2/50µS & 10kA, 8/20µs)
ANSI C82.77-5-2017	Cat. C Medium Exposure Level (10kV, 1.2/50µs & 5kA, 8/20µs)

SURGE PROTECTION DEVICES LSP10-SM

FEATURES

SNAPLOCK™

MOUNTING



SPECIFICATIONS

Input Voltage	120-277V (+/- 5%)		
Frequency	60Hz		
Maximum Continuous Voltage	320V		
Maximum Discharge Current	10kA (8/20µs standard wave)		
Nominal Discharge Current	5kA		
Measured Limiting Voltage (VpK)	L-N	L-G	N-G
	1180	1180	1180
Thermal Protection	Thermally protected transient over-voltage circuit		

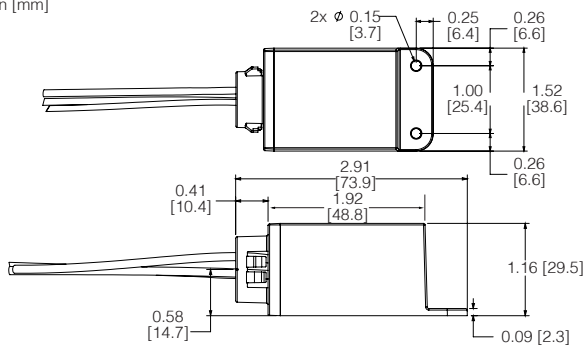
Pulse Rating (8 x 20 µSec)

Surge Level	# of Strikes
	L-G, N-G, L-N
10,000A	1
6,500A	2
5,000A	15

MECHANICAL DIMENSIONS

SNAPLOCK™ Model

Snaps into a 1/2" K.O. or can be mounted by feet in [mm]



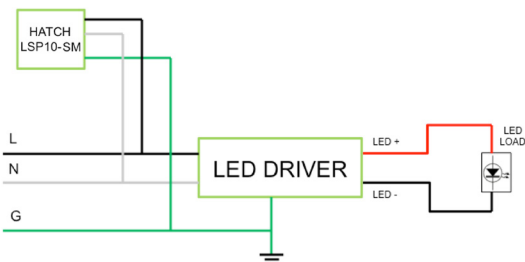
DIMENSIONS [MM]

Length	2.91 [73.90]
Mounting Hole	0.15 [3.70]
Width	1.52 [38.60]
Height	1.16 [29.50]

WIRING INFORMATION

Surge Protector Wires	6", Black (L), White (N), Green (G) #16 AWG
------------------------------	---------------------------------------------

WIRING DIAGRAM



PACKAGING INFORMATION

Weight	2.43oz
Quantity	100pc/carton

APPROVALS



WARRANTY

- 5 year limited warranty



X-ON Electronics

Largest Supplier of Electrical and Electronic Components

Click to view similar products for [Surge Suppressors](#) category:

Click to view products by [Hatch Lighting](#) manufacturer:

Other Similar products are found below :

[2800521](#) [GUS11](#) [GUS4](#) [30460](#) [IE103](#) [SRA64C060X](#) [PC642C015](#) [1810-15-A3](#) [2713175](#) [4B06B-EC1-150LF](#) [SRA6LC](#) [CX06M](#) [CCTV1](#)
[GUS13](#) [GUS14](#) [GUS5](#) [VAL-MS 320/3+0-FM](#) [TTC-6-1X2-M-24DC-UT-I](#) [TTC-6P-1X2-24DC-UT-I](#) [TTC-6P-1X2-M-24DC-UT-I](#) [VAL-](#)
[SEC-T2-1S-350-FM](#) [VAL-US-120/40/1+1-FM](#) [VAL-US-120/65/1+1-FM](#) [VAL-US-480D/30/3+0-FM](#) [VAL-US-120/40/1+0-FM](#)
[STCHSP121BT1RU](#) [LP-GTR-NFF](#) [LP-BFDN-CW](#) [LP-STRL-NFF](#) [LP-STRL-DFF](#) [0804111](#) [5053609](#) [5053201](#) [SPD2-150-1P0](#) [SPD2-550-](#)
[1P0](#) [1-2191595-2](#) [STC-CAT6-P0E-I](#) [SPD2-350-1P0](#) [SPD2-550-3P0](#) [FLT-CP-350-ST](#) [TTC-6P-3-HF-F-M-12DC-UT-I](#) [TTC-6-2X1-24DC-UT](#)
[LTC4364CMS-1#TRPBF](#) [DS71RS-120](#) [P8AX09-T/MF](#) [CRMJ8-POE-C6](#) [DS42S-48DC](#) [MJ8-CAT6S](#) [DS41S-280](#) [3414.99.0021](#)