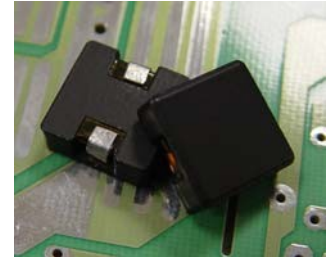


MODEL NO : HCI1350



Features :

- * SMD version .
- * Low core loss and high efficiency performance .
- * Close magnetic path for low leakage flux .
- * Low DCR with flat wire design .
- * Compliant with RoHS and Halogen free .



Application :

- * DC/DC converter in power regulation system .
- * Automobile . * Solar energy . * Routers .

Electrical Specification :

PART NO	INDUCTANCE (μ H) $\pm 20\%$ @0ADC	INDUCTANCE (μ H) TYP. @TEMPERATURE RISE CURRENT	TEMPERATURE RISE CURRENT (ADC) (NOTE 2)	SATURATION CURRENT (ADC) (NOTE 3)	DCR $\pm 10\%$ (m Ω)
HCI1350-R19	0.19 $\pm 30\%$	0.17	34.0	60.0	0.50
HCI1350-R47	0.47	0.38	26.0	50.0	0.90
HCI1350-R90	0.90	0.75	21.0	28.0	1.62
HCI1350-1R4	1.40	1.10	20.0	26.0	2.40
HCI1350-2R3	2.30	1.65	17.0	20.0	3.60
HCI1350-3R2	3.20	2.30	14.0	15.0	5.30
HCI1350-4R8	4.80	4.05	8.0	13.0	10.60
HCI1350-6R0	6.00	5.00	7.5	11.5	13.70
HCI1350-1R4	1.40	1.20	18.0	24.0	1.62
HCI1350-2R2	2.20	1.70	17.0	21.0	2.34
HCI1350-3R2	3.20	2.40	15.0	17.0	3.60
HCI1350-4R3	4.30	3.20	14.0	15.0	5.30
HCI1350-6R0	6.00	4.10	13.0	13.0	7.00
HCI1350-9R2	9.20	6.80	10.0	10.0	11.80
HCI1350-120	12.0	9.20	7.0	9.0	15.00

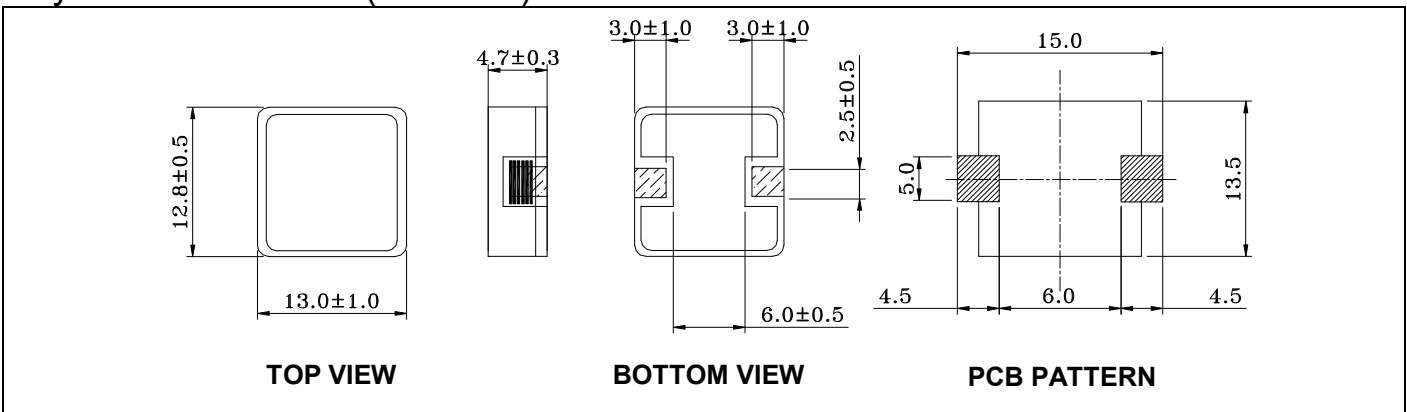
NOTE(1): Measuring condition: 100 KHZ, 0.1Vrms .

NOTE(2): $\Delta T = 40^{\circ}\text{C}$ approximately under the temperature rise current .

NOTE(3): The saturation current indicates the value of DC current is approximately 30% lower than its initial value of inductance .

NOTE(4): Operating temperature range: $-40^{\circ}\text{C} \sim +150^{\circ}\text{C}$.

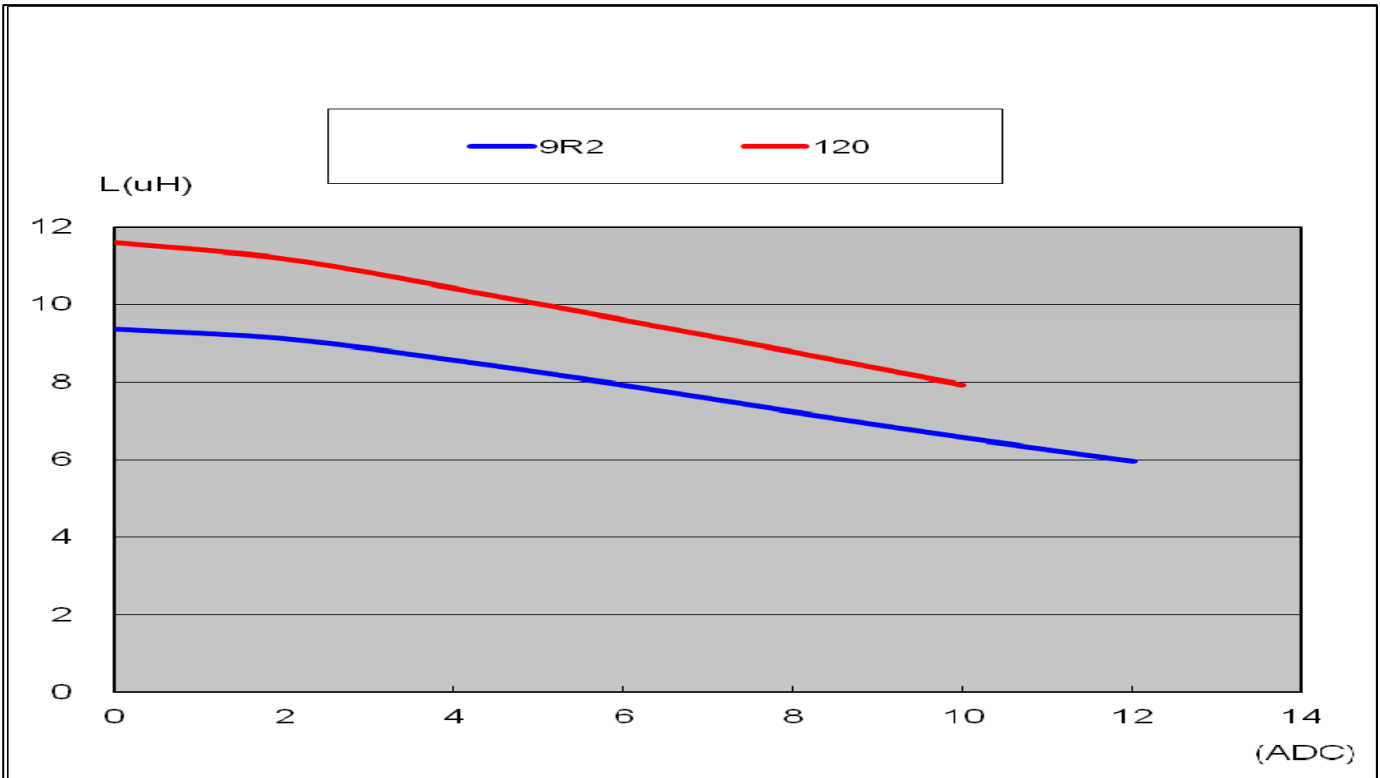
Physical Dimension : (unit :mm)



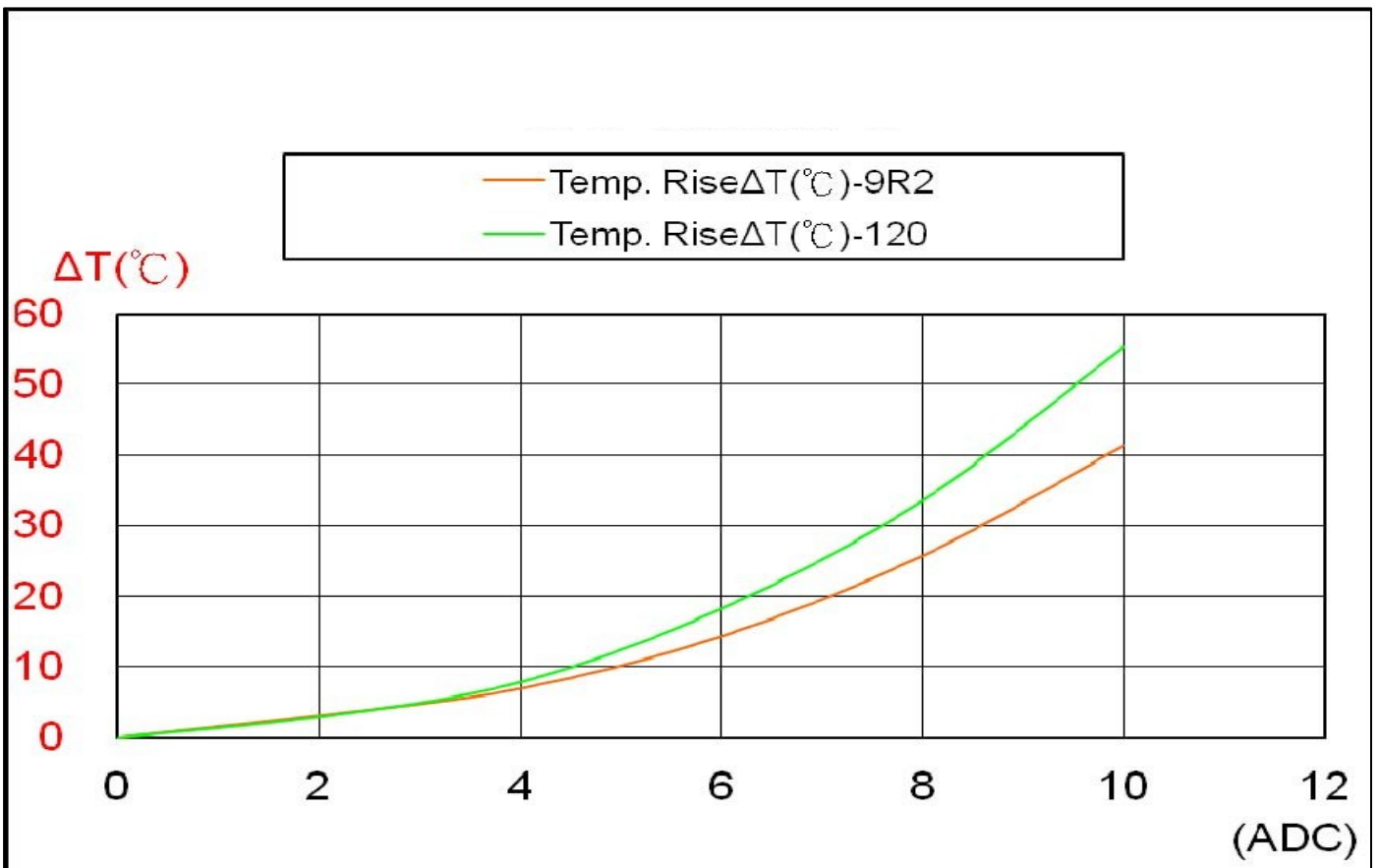
PACKAGING SPEC:

1. REEL SIZE & UNITS PER REEL : 13", 400 PCS .
2. TAPE WIDTH: 24mm
3. REEL WIDTH: 29.5mm
4. COMPONENT PITCH: 16mm

INDUCTANCE vs DC BIAS :



TEMPERATURE RISE vs DC BIAS:



X-ON Electronics

Largest Supplier of Electrical and Electronic Components

Click to view similar products for [Ferrite Beads](#) category:

Click to view products by [Ferrocore](#) manufacturer:

Other Similar products are found below :

[2943778301](#) [BMB1J0120BN3JIT](#) [82350120560](#) [0261014605](#) [2643066902](#) [3061000011](#) [2673045901](#) [2643083601](#) [2643074901](#) [4361142521](#)
[4078078621](#) [4078044821](#) [4078033621](#) [CZB2BFTTE121P](#) [BMB2A0120AN2](#) [BMB1J0200BN3JIT](#) [EMI0805R-220](#) [74279250](#) [7427924](#)
[CZB1JGTTD202P](#) [MAF0603GWY551AT000](#) [MAF1005GWZ102AT000](#) [BLM18HE152SH1D](#) [2944778302](#) [BLM02PX600SN1D](#) [SMB2.5-1](#)
[EMI1206R-600](#) [BLM02KX180SN1D](#) [BLM02BC100SN1D](#) [BLM02KX100SN1D](#) [BLM02BB101SN1D](#) [BLM02BC220SN1D](#)
[BLE32PN260SH1L](#) [BLE32PN260SN1L](#) [BLE32PN260SZ1L](#) [74275013](#) [7427503](#) [BLM18HE601SH1D](#) [BLM15BD152SN1D](#)
[BLM15BD152SZ1D](#) [BLE18PS080SZ1D](#) [BLM21PG221BH1D](#) [WLBD1005HCU330TL](#) [BLM21AG471BH1D](#) [BLE18PS080BH1D](#)
[BLM21AG331BH1D](#) [BLM21PG300BH1D](#) [BLM21PG600BH1D](#) [BLM03HB401SZ1D](#) [BLM03HB401SN1D](#)