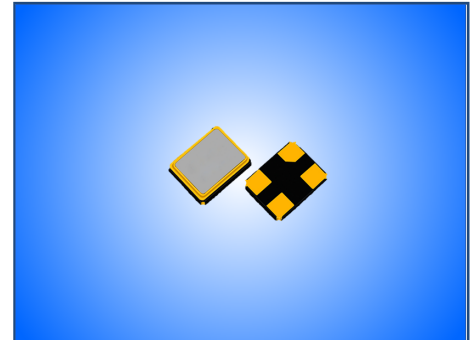


**QUARTZ CRYSTAL UNIT IN SMD 1.2x1.0MM CERAMIC SEAM SEAL PACKAGE.**
**PRODUCT FEATURES**

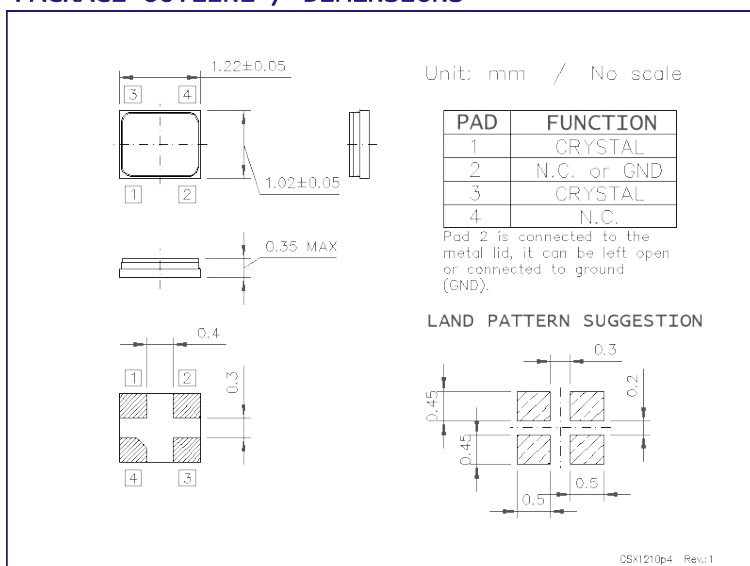
- Ultra-miniature unit dimensions 1.2x1.0x0.3 with 4 pads.
- Highly reliable vacuum seam sealed ceramic package.
- Tight tolerances and stabilities over temperature range.
- ROHS compliant, LEAD-FREE and HALOGEN-FREE.

**PRODUCT PHOTO (NOT IN SCALE)**

**APPLICATIONS**

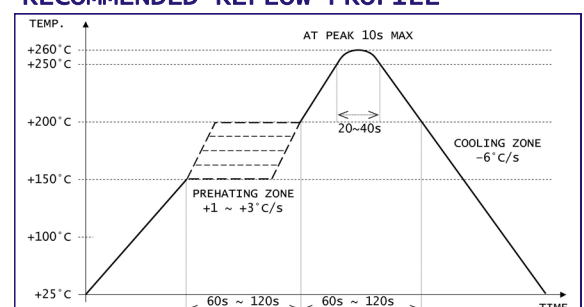
- wireless LAN
- Bluetooth
- Mobil communication
- Handheld equipment

**PRODUCT SPECIFICATIONS**

PARAMETER	0110M4		CONDITIONS / REMARKS
Nominal frequency range	26.000 ~ 52.000MHz		--
Crystal cut and mode	AT-cut / Fundamental		--
Frequency tolerance	±10ppm / ±20ppm / ±30ppm		Other options available.
Frequency stability	±15ppm	±20ppm	Other options available.
Operating temperature range	-20 to +70°C	-30 to +85°C	Other options available.
Equivalent series resistance	<150Ω		26.000 to 31.999MHz
	<100Ω		32.000 to 39.999MHz
	<80Ω		40.000 to 52.000MHz
Load capacitance	4 ~20 pF or SERIES		Please specify.
Shunt capacitance	<3.0pF		--
Drive level	10μw TYP / 100μw MAX		--
Storage temperature range	-55 to +125°C		--

**PACKAGE OUTLINE / DIMENSIONS**

**PACKAGING INFORMATION**

- Tape & Reel compliant to EIA-481.
- Embossed carrier width 8mm.
- Component pitch in carrier 4mm.
- Reel diameter 180mm.
- QTY per reel: 3,000pcs MAX.

**RECOMMENDED REFLOW PROFILE**


## X-ON Electronics

Largest Supplier of Electrical and Electronic Components

*Click to view similar products for [Crystals](#) category:*

*Click to view products by [HCI](#) manufacturer:*

Other Similar products are found below :

[CX3225GB25000M0PPSZ1](#) [718-13.2-1](#) [7A-40.000MAAE-T](#) [FL2000085](#) [99-BU](#) [9B-15.360MBBK-B](#) [9C-7.680MBBK-T](#) [H10S-12.000-18-EXT-TR](#) [ABC2-6.000MHZ-D4Z-T](#) [ABLS-20.000MHZ-D2-T](#) [ABS071-32.768KHZ-6-T](#) [R38-32.768-12.5-5PPM-NPB](#) [BTD1062E05A-513](#) [21U15A-21.4MHZ](#) [RTX-781DF1-S-20.950](#) [LFXTAL066198Cutt](#) [9C-14.31818MBBK-T](#) [A-11.000MHZ-27](#) [ABL-27.000MHZ-B4Y-T](#) [ABM11-132-24.000MHZ-T3](#) [ABM3B1-25.000MHZ-D2Y-T](#) [SPT2A-.032768B](#) [SPT2A.032768G](#) [LFXTAL065253Cutt](#) [LFXTAL066431Cutt](#) [XT9S20ANA14M7456](#) [XT9SNLANA16M](#) [7A-24.576MBBK-T](#) [7B-30.000MBBK-T](#) [CX2520DB16000H0HPQCC](#) [MMCC2R32.7680KHZ](#) [6504-202-1501](#) [6526-202-1501](#) [ABLS-12.000MHZ-B2Y-T](#) [7A-10.000MBBK-T](#) [SG636PCE-20.000MC](#) [3404](#) [CM315D32768EZFT](#) [C1E-24.000-7-2020-R](#) [C1E-19.200-12-1530-X-R](#) [C1E-16.000-12-1530-X-R](#) [ABM11-16.000MHZ-9-B1U-T](#) [FL5000014](#) [EUCA18-3.1872M](#) [FX0800015](#) [425F35E027M0000](#) [FP0800018](#) [MS3V-T1R-32.768kHz-7pF-20PPM-TA-QC-Au](#) [VXM7-1C1-16M000](#) [MS3V-T1R-32.768kHz-9pF-20PPM-TA-QC-Au](#)