

QUARTZ CRYSTAL UNIT IN SMD 6.0x3.5MM GLASS SEAL PACKAGE.
PRODUCT FEATURES

- Dimensions 6.0x3.5x1.4 with 2 solder pads.
- Low cost ceramic glass seal package.
- Tight tolerances and stabilities over temperature range.
- RoHS compliant by exemption and HALOGEN-FREE.

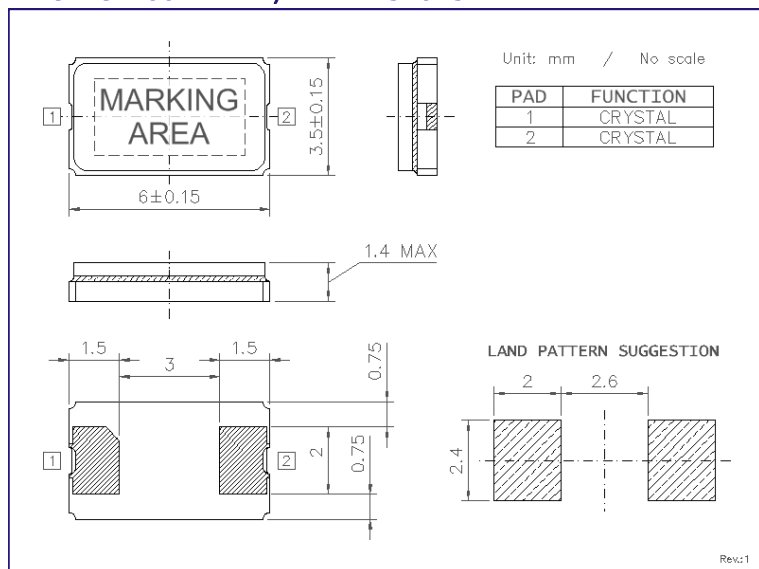
PRODUCT PHOTO (NOT IN SCALE)

APPLICATIONS

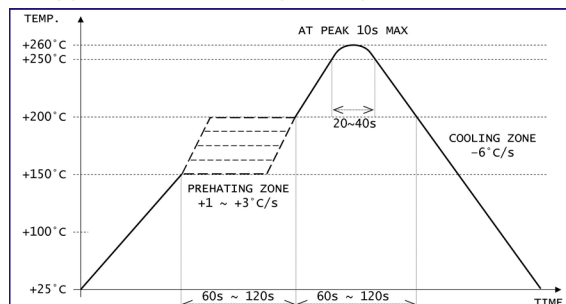
- Motherboard
- Computer peripherals
- Handheld equipment

PRODUCT SPECIFICATIONS

PARAMETER	0163G2		CONDITIONS / REMARKS
Nominal frequency range	8.0 ~ 100.0MHz		Fundamental up to 50MHz and 3rd overtone from 40MHz.
Crystal cut and mode	AT-cut / FUND & 3rd Overtone		
Frequency tolerance	±10ppm to ±50ppm		Other options available.
Frequency stability	±10ppm	±30ppm	Other options available.
Operating temperature range	-20 to +70°C	-40 to +85°C	Other options available.
Equivalent series resistance	60Ω		FUND - 8.0 ~ 12.0MHz
	40Ω		FUND - 12.1 ~ 25.0MHz
	30Ω		FUND - 25.1 ~ 50.0MHz
	120Ω		3rd OT - 40.0 ~ 60.0MHz
	80Ω		3rd OT - 60.1 ~ 100.0MHz
Load capacitance	6 ~ 32pF or SERIES		Please specify.
Shunt capacitance	<7pF		--
Drive level	10μW TYP / 300μW MAX		--
Aging	±3ppm		Per year

PACKAGE OUTLINE / DIMENSIONS

PACKAGING INFORMATION

- Tape & Reel compliant to EIA-481.
- Embossed carrier width 12mm.
- Component pitch in carrier 8mm.
- Reel diameter 180mm.
- QTY per reel: 1,000pcs MAX.

RECOMMENDED REFLOW PROFILE


X-ON Electronics

Largest Supplier of Electrical and Electronic Components

Click to view similar products for [Crystals](#) category:

Click to view products by [HCI](#) manufacturer:

Other Similar products are found below :

[CX3225GB25000M0PPSZ1](#) [718-13.2-1](#) [7A-40.000MAAE-T](#) [FL2000085](#) [99-BU](#) [9B-15.360MBBK-B](#) [9C-7.680MBBK-T](#) [H10S-12.000-18-EXT-TR](#) [ABC2-6.000MHZ-D4Z-T](#) [ABLS-20.000MHZ-D2-T](#) [ABS071-32.768KHZ-6-T](#) [R38-32.768-12.5-5PPM-NPB](#) [BTD1062E05A-513](#) [21U15A-21.4MHZ](#) [RTX-781DF1-S-20.950](#) [LFXTAL066198Cutt](#) [9C-14.31818MBBK-T](#) [A-11.000MHZ-27](#) [ABL-27.000MHZ-B4Y-T](#) [ABM11-132-24.000MHZ-T3](#) [ABM3B1-25.000MHZ-D2Y-T](#) [SPT2A-.032768B](#) [SPT2A.032768G](#) [SSPT7F-9PF20-R](#) [LFXTAL065253Cutt](#) [LFXTAL066431Cutt](#) [XT9S20ANA14M7456](#) [XT9SNLANA16M](#) [7A-24.576MBBK-T](#) [7B-30.000MBBK-T](#) [MMCC2R32.7680KHZ](#) [7A-14.31818MBBK-T](#) [6504-202-1501](#) [6526-202-1501](#) [ABLS-12.000MHZ-B2Y-T](#) [7A-10.000MBBK-T](#) [SG636PCE-20.000MC](#) [3404](#) [E1SAA18-25.000M TR](#) [CM315D32768EZFT](#) [C1E-24.000-7-2020-R](#) [C1E-19.200-12-1530-X-R](#) [C1E-16.000-12-1530-X-R](#) [ABM11-16.000MHZ-9-B1U-T](#) [FL5000014](#) [EUCA18-3.1872M](#) [FX0800015](#) [425F35E027M0000](#) [FP0800018](#) [MS3V-T1R-32.768kHz-7pF-20PPM-TA-QC-Au](#)