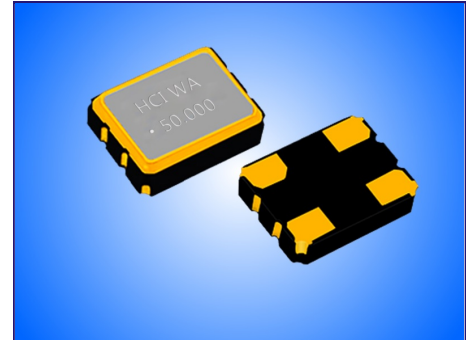


**OSCILLATOR UNIT WITH CMOS OUTPUT IN SMD 3.2x2.5mm CERAMIC SEAM SEAL PACKAGE.**
**PRODUCT FEATURES**

- Small dimensions 3.2x2.5x1.0 with 4 solder pads.
- Tight stabilities over temperature range.
- Tri-state enable/ disable function (pad 1).
- Automotive compliance to AEC-Q200 available.
- ROHS compliant, LEAD-FREE, HALOGEN-FREE and REACH compliant.

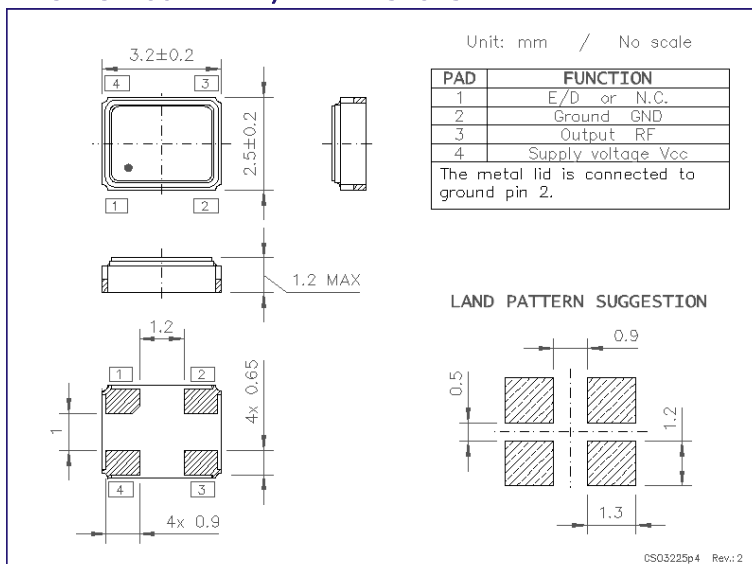
**APPLICATIONS**

- WiFi / WiMAX / Bluetooth
- Mobil phone
- Set-top Box / HDTV

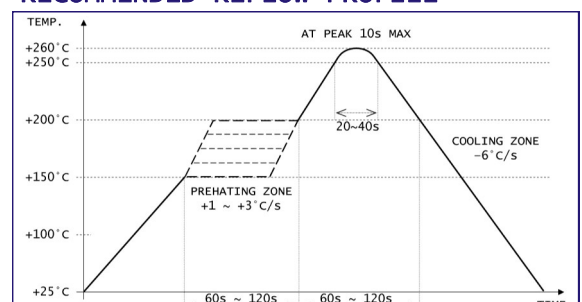
**PRODUCT PHOTO (NOT IN SCALE)**

**PRODUCT SPECIFICATIONS**

| PARAMETER                   | SUPPLY VOLTAGE                             |               |               | REMARKS                           |
|-----------------------------|--|---------------|---------------|-----------------------------------|
|                             | 1.8V                                       | 2.5V          | 3.3V          |                                   |
| Frequency range             | 1.25 ~ 125MHz                              | 1.25 ~ 125MHz | 1.25 ~ 125MHz | 32.768kHz available               |
| Frequency stability         | ±20ppm / ±25ppm / ±50ppm                   |               |               | See note below                    |
| Operating temperature range | -10 to +60°C / -20 to +70°C / -40 to +85°C |               |               | options available                 |
| Aging first year            | ±3.0ppm                                    |               |               | @+25°C                            |
| Supply current              | 7mA  | 10mA          | 15mA          | with load 15pF                    |
| Output waveform and load    | LVCMOS 15pF                                |               |               | 30pF optional                     |
| Output voltage level HIGH   | 1.62V                                      | 2.25V         | 2.97V         | Minimum                           |
| Output voltage level LOW    | 0.18V                                      | 0.25V         | 0.33V         | Maximum                           |
| Rise and Fall times         | 5ns  | 4ns           | 3ns           | <10MHz @10~90% of V <sub>CC</sub> |
|                             | 4ns  | 3ns           | 3ns           | ≥10MHz @10~90% of V <sub>CC</sub> |
| Symmetry (duty cycle)       | 45~55% or 40~60%                           |               |               | @ 50%V <sub>CC</sub>              |
| Phase jitter RMS            | <1ps                                       |               |               | 12kHz ≤ F <sub>j</sub> ≤ 20MHz    |

Note: Stability includes frequency deviations at +25°C, over temperature range, due to supply voltage changes, output load changes, shock and vibration.

**PACKAGE OUTLINE / DIMENSIONS**

**PACKAGING INFORMATION**

- Tape & Reel compliant to EIA-481.
- Embossed carrier width 8mm.
- Component pitch in carrier 4mm.
- Reel diameter 180mm.
- QTY per reel: 3,000pcs

**RECOMMENDED REFLOW PROFILE**


## X-ON Electronics

Largest Supplier of Electrical and Electronic Components

*Click to view similar products for [Standard Clock Oscillators](#) category:*

*Click to view products by [HCI manufacturer](#):*

Other Similar products are found below :

[601252](#) [F335-25](#) [F535L-33.333](#) [F535L-50](#) [NBXHBA019LN1TAG](#) [SiT1602BI-22-33E-50.000000E](#) [SIT8918AA-11-33S-50.000000G](#)  
[SM4420TEV-40.0M-T1K](#) [F335-24](#) [F335-40](#) [F535L-10](#) [F535L-12](#) [F535L-24](#) [F535L-27](#) [PE7744DW-100.0M](#) [ASF1-3.686MHZ-N-K-S](#) [ASV-](#)  
[4.000MHZ-LCS-T](#) [XO57CTECNA3M6864](#) [601251](#) [SiT8503AI-18-33E-0.200000X](#) [SIT9122AI2C233E300.000000X](#) [9120AC-2D2-](#)  
[33E212.500000](#) [9102AI-243N25E100.000000](#) [8208AC-82-18E-25.000000](#) [8008AI-72-XXE-24.545454E](#) [8004AC-13-33E-133.330000X](#) [AS-](#)  
[4.9152-16-SMD-TR](#) [ASFL1-48.000MHZ-LC-T](#) [632L3I004M000000](#) [SIT8920AM-31-33E-25.000000](#) [DSC1028DI2-019.2000](#) [9121AC-2C3-](#)  
[25E100.000000](#) [9102AI-233N33E100.000000X](#) [9102AI-233N25E200.000000](#) [9102AI-232H25S125.000000](#) [9102AI-133N25E200.000000](#) [9102AC-](#)  
[283N25E200.000000](#) [9001AC-33-33E1-30.000000](#) [8103AC-13-33E-12.000000X](#) [3921AI-2CF-33NZ125.000000](#) [5730-1SF](#) [XUN736000.032768I](#)  
[ASV-25.000MHZ-ECS-50-T](#) [EC3925ETTTS-100.000M TR](#) [SIT1602BC-83-33E-10.000000Y](#) [8003AI-12-33S-40.000000Y](#) [1602BI-13-33S-](#)  
[19.200000E](#) [8208AI-2F-18E-25.000000X](#) [8103AI-83-33E-33.000000X](#) [8208AI-8F-33E-66.666666X](#)