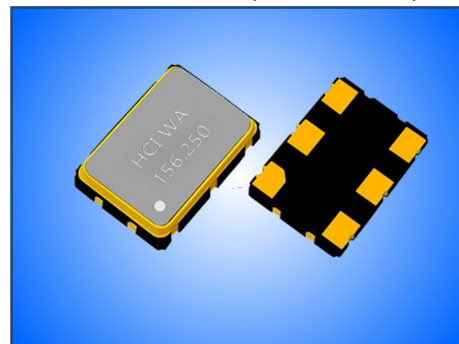


**OSCILLATOR UNIT WITH LVPECL OUTPUT IN SMD 3.2x2.5MM CERAMIC SEAM SEAL PACKAGE.**
**PRODUCT FEATURES**

- Small dimensions 3.2x2.5x1.3 with 6 solder pads.
- Highly reliable seam sealed ceramic package.
- wide frequency range.
- Low jitter and phase noise.
- RoHS compliant, LEAD-FREE and HALOGEN-FREE.

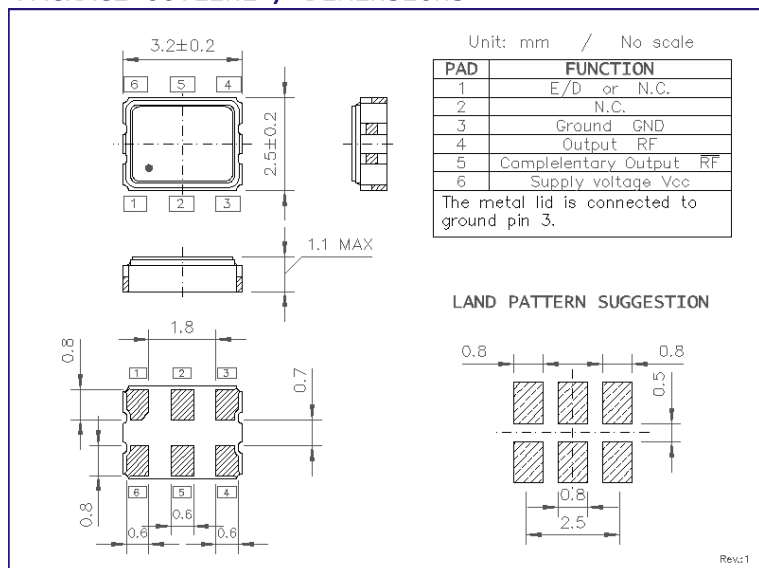
**APPLICATIONS**

- High speed communication
- Handheld equipment
- Telecom equipment

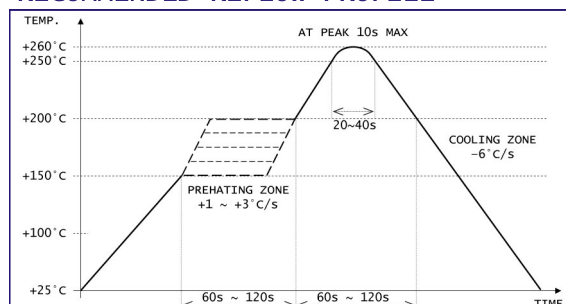
**PRODUCT PHOTO (NOT IN SCALE)**

**PRODUCT SPECIFICATIONS**

| PARAMETER                   | 1532P   | CONDITIONS / REMARKS                     |
|-----------------------------|---|--|
| Nominal frequency range     | 10 ~ 800MHz                                       | Fund., Overtone or PLL                   |
| Supply voltage              | 2.5V <sub>DC</sub> / 3.3V <sub>DC</sub>           | Other option possible                    |
| Supply current              | 100mA   | Maximum, Fund mode lower I <sub>CC</sub> |
| Frequency stability         | ±25ppm / ±50ppm / ±100ppm                         | See note below.                          |
| Operating temperature range | -10 to +70°C or -40 to 85°C                       | Other options available.                 |
| Output waveform and load    | LVPECL / 50Ω                                      | Into V <sub>CC-2</sub>                   |
| Output voltage level HIGH   | V <sub>CC</sub> -1.025V / V <sub>CC</sub> -0.880V | Minimum / Maximum                        |
| Output voltage level LOW    | V <sub>CC</sub> -1.810V / V <sub>CC</sub> -1.620V | Minimum / Maximum                        |
| Rise and Fall times         | 1.5ns   | @ 20~80~20%V <sub>CC</sub>               |
| Symmetry (duty cycle)       | 45~55%  | @ outputs cross point                    |
| Phase Jitter RMS            | <1ps  | Integrated 12kHz≤F <sub>j</sub> ≤20MHz   |

Note: Stability includes frequency deviations at +25°C, over temperature range, due to supply voltage changes, output load changes, shock and vibration.

**PACKAGE OUTLINE / DIMENSIONS**

**PACKAGING INFORMATION**

- Tape & Reel compliant to EIA-481.
- Embossed carrier width 8mm.
- Component pitch in carrier 4mm.
- Reel diameter 180mm.
- QTY per reel: 3,000pcs

**RECOMMENDED REFLOW PROFILE**


## X-ON Electronics

Largest Supplier of Electrical and Electronic Components

*Click to view similar products for [Standard Clock Oscillators](#) category:*

*Click to view products by [HCI manufacturer](#):*

Other Similar products are found below :

[601252](#) [F335-25](#) [F535L-33.333](#) [F535L-50](#) [NBXHBA019LN1TAG](#) [SiT1602BI-22-33E-50.000000E](#) [SiT8209AI-32-33E-125.000000](#)  
[SIT8918AA-11-33S-50.000000G](#) [SM4420TEV-40.0M-T1K](#) [F335-24](#) [F335-40](#) [F535L-10](#) [F535L-12](#) [F535L-24](#) [F535L-27](#) [PE7744DW-](#)  
[100.0M](#) [ASF1-3.686MHZ-N-K-S](#) [ASV-4.000MHZ-LCS-T](#) [XLH735025.000JU4I8](#) [XLP725125.000JU6I8](#) [XO57CTECNA3M6864](#) [601251](#)  
[SiT8503AI-18-33E-0.200000X](#) [SIT8918AA-11-33S-16.000000G](#) [SIT9122AI2C233E300.000000X](#) [XO37CTECNA20M](#) [9120AC-2D2-](#)  
[33E212.500000](#) [9102AI-243N25E100.000000](#) [8208AC-82-18E-25.000000](#) [8008AI-72-XXE-24.545454E](#) [8004AC-13-33E-133.33000X](#) [ASFL1-](#)  
[48.000MHZ-LC-T](#) [632L3I004M00000](#) [SIT8920AM-31-33E-25.0000](#) [9121AC-2C3-25E100.000000](#) [9102AI-233N33E100.00000X](#) [9102AI-](#)  
[233N25E200.000000](#) [9102AI-232H25S125.000000](#) [9102AI-133N25E200.000000](#) [9102AC-283N25E200.000000](#) [9001AC-33-33E1-30.000](#)  
[8103AC-13-33E-12.00000X](#) [3921AI-2CF-33NZ125.000000](#) [5730-1SF](#) [XUN736000.032768I](#) [EC3925ETTTS-100.000M TR](#) [SIT1602BC-83-](#)  
[33E-10.000000Y](#) [8003AI-12-33S-40.00000Y](#) [1602BI-13-33S-19.200000E](#) [8208AI-2F-18E-25.000000X](#)