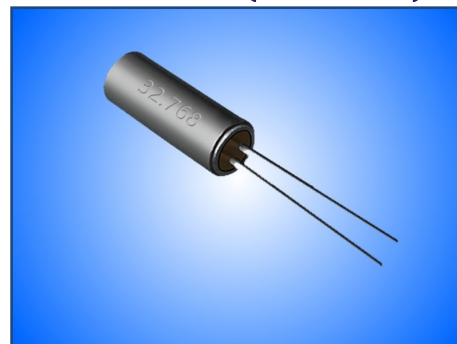


**TUNING FORK CRYSTAL UNIT IN  $\varnothing 3 \times 8$ MM THRU-HOLE METAL CAN PACKAGE.**
**PRODUCT FEATURES**

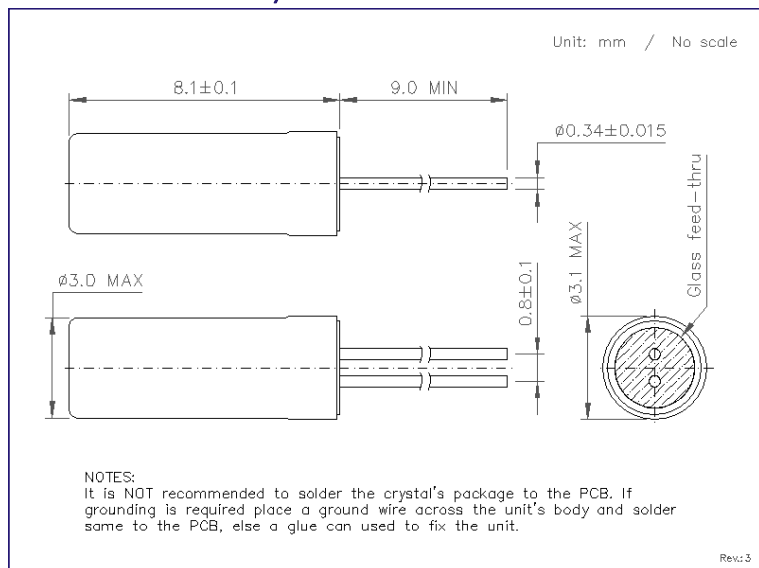
- Package dimensions  $\varnothing 3 \times 8$ mm with 2 leads.
- Reliable vacuum sealed metal can package.
- Suitable for low power consumption applications.
- RoHS compliant, LEAD-FREE and HALOGEN-FREE.

**APPLICATIONS**

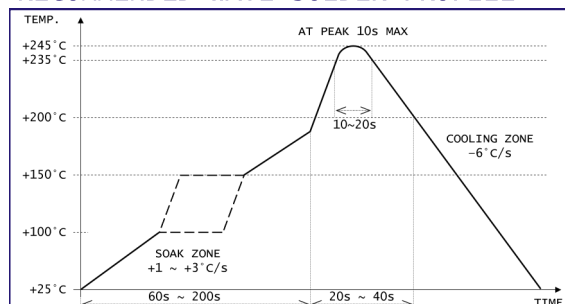
- Real time clocks
- TV, LCD monitors
- Timers and controllers
- Cable modems

**PRODUCT PHOTO (NOT IN SCALE)**

**PRODUCT SPECIFICATIONS**

PARAMETER	3438T		CONDITIONS / REMARKS
Nominal frequency range	32.768kHz	28 ~ 100kHz	Please contact us for available frequencies.
Vibration mode	Fundamental		
Frequency tolerance	$\pm 20$ ppm / $\pm 30$ ppm / $\pm 50$ ppm / $\pm 100$ ppm		Other options available.
Stability over temperature	$-0.042$ ppm/ $^{\circ}\text{C}^2$ TYP		Parabolic coefficient.
Operating temperature range	$-20$ to $+70^{\circ}\text{C}$ or $-40$ to $+85^{\circ}\text{C}$		Other options available.
Turnover temperature	$+25 \pm 5^{\circ}\text{C}$		
Equivalent series resistance (ESR)	$< 30$ k $\Omega$	$< 30$ k $\Omega$ $< 20$ k $\Omega$	$< 40$ kHz $> 40$ kHz
Shunt capacitance	2.0pF	2.0pF	Typical
Motional capacitance	3.2fF	1.5~4.5fF	Depending on frequency.
Load capacitance	6 ~ 12.5pF	6~32pF or SERIES	Please specify.
Drive level	0.2 $\mu\text{W}$ TYP / 2.0 $\mu\text{W}$ MAX		
Aging first year	$\pm 5$ ppm		At $+25^{\circ}\text{C}$

**PACKAGE OUTLINE / DIMENSIONS**

**PACKAGING INFORMATION**

- Bulk packaging.
- QTY per bag: 1,000pcs MAX
- QTY per box: 5 ~ 10 bags MAX

**RECOMMENDED WAVE SOLDER PROFILE**


## X-ON Electronics

Largest Supplier of Electrical and Electronic Components

*Click to view similar products for [Crystals](#) category:*

*Click to view products by [HCI](#) manufacturer:*

Other Similar products are found below :

[CX3225GB25000M0PPSZ1](#) [718-13.2-1](#) [7A-40.000MAAE-T](#) [FL2000085](#) [99-BU](#) [9B-15.360MBBK-B](#) [9C-7.680MBBK-T](#) [H10S-12.000-18-EXT-TR](#) [ABC2-6.000MHZ-D4Z-T](#) [ABLS-20.000MHZ-D2-T](#) [ABS071-32.768KHZ-6-T](#) [R38-32.768-12.5-5PPM-NPB](#) [BTD1062E05A-513](#) [21U15A-21.4MHZ](#) [RTX-781DF1-S-20.950](#) [LFXTAL066198Cutt](#) [9C-14.31818MBBK-T](#) [A-11.000MHZ-27](#) [ABL-27.000MHZ-B4Y-T](#) [ABM11-132-24.000MHZ-T3](#) [ABM3B1-25.000MHZ-D2Y-T](#) [SPT2A-.032768B](#) [SPT2A.032768G](#) [LFXTAL065253Cutt](#) [LFXTAL066431Cutt](#) [XT9S20ANA14M7456](#) [XT9SNLANA16M](#) [7A-24.576MBBK-T](#) [7B-30.000MBBK-T](#) [CX2520DB16000H0HPQCC](#) [MMCC2R32.7680KHZ](#) [6504-202-1501](#) [6526-202-1501](#) [ABLS-12.000MHZ-B2Y-T](#) [7A-10.000MBBK-T](#) [SG636PCE-20.000MC](#) [3404](#) [CM315D32768EZFT](#) [C1E-24.000-7-2020-R](#) [C1E-19.200-12-1530-X-R](#) [C1E-16.000-12-1530-X-R](#) [ABM11-16.000MHZ-9-B1U-T](#) [FL5000014](#) [EUCA18-3.1872M](#) [FX0800015](#) [425F35E027M0000](#) [FP0800018](#) [MS3V-T1R-32.768kHz-7pF-20PPM-TA-QC-Au](#) [VXM7-1C1-16M000](#) [MS3V-T1R-32.768kHz-9pF-20PPM-TA-QC-Au](#)