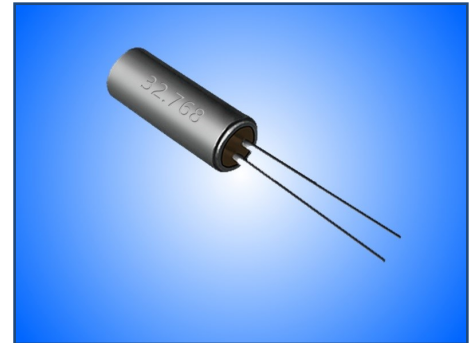


TUNING FORK CRYSTAL UNIT IN $\varnothing 3 \times 8$ MM THRU-HOLE METAL CAN PACKAGE.
PRODUCT FEATURES

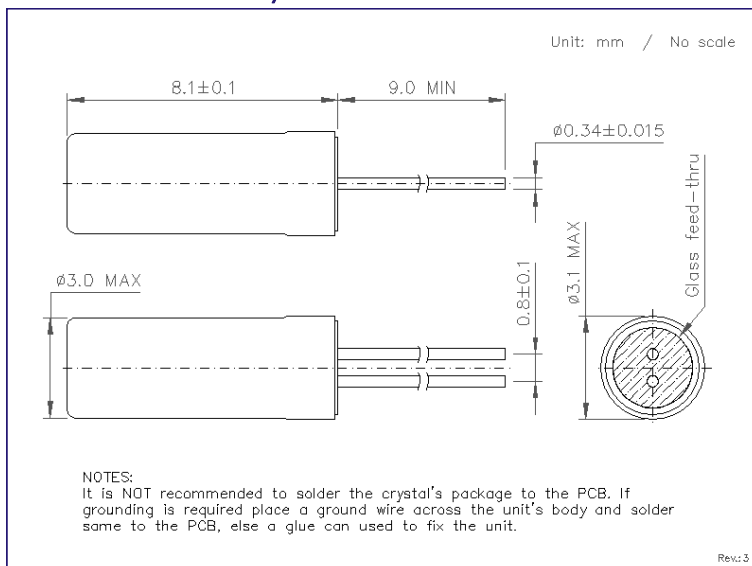
- Package dimensions $\varnothing 3 \times 8$ mm with 2 leads.
- Reliable vacuum sealed metal can package.
- Suitable for low power consumption applications.
- RoHS compliant, LEAD-FREE and HALOGEN-FREE.

APPLICATIONS

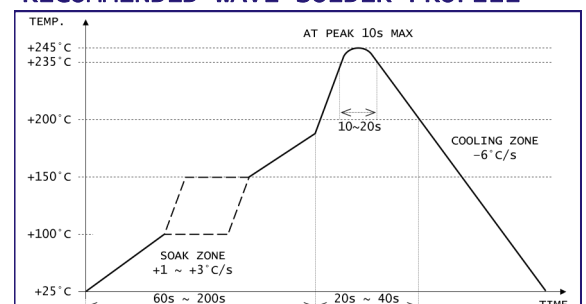
- Real time clocks
- TV, LCD monitors
- Timers and controllers
- Cable modems

PRODUCT PHOTO (NOT IN SCALE)

PRODUCT SPECIFICATIONS

| PARAMETER | 3438T | | CONDITIONS / REMARKS |
|------------------------------------|--|--|--|
| Nominal frequency range | 32.768kHz | 28 ~ 100kHz | Please contact us for available frequencies. |
| Vibration mode | Fundamental | | |
| Frequency tolerance | ± 20 ppm / ± 30 ppm / ± 50 ppm / ± 100 ppm | | Other options available. |
| Stability over temperature | -0.042 ppm/ $^{\circ}\text{C}^2$ TYP | | Parabolic coefficient. |
| Operating temperature range | -20 to $+70^{\circ}\text{C}$ or -40 to $+85^{\circ}\text{C}$ | | Other options available. |
| Turnover temperature | $+25 \pm 5^{\circ}\text{C}$ | | |
| Equivalent series resistance (ESR) | < 30 k Ω | < 30 k Ω < 20 k Ω | < 40 kHz > 40 kHz |
| Shunt capacitance | 2.0pF | 2.0pF | Typical |
| Motional capacitance | 3.2fF | 1.5~4.5fF | Depending on frequency. |
| Load capacitance | 6 ~ 12.5pF | 6~32pF or SERIES | Please specify. |
| Drive level | 0.2 μW TYP / 2.0 μW MAX | | |
| Aging first year | ± 5 ppm | | At $+25^{\circ}\text{C}$ |

PACKAGE OUTLINE / DIMENSIONS

PACKAGING INFORMATION

- Bulk packaging.
- QTY per bag: 1,000pcs MAX
- QTY per box: 5 ~ 10 bags MAX

RECOMMENDED WAVE SOLDER PROFILE


X-ON Electronics

Largest Supplier of Electrical and Electronic Components

Click to view similar products for [Crystals](#) category:

Click to view products by [HCI](#) manufacturer:

Other Similar products are found below :

[CX3225GB25000M0PPSZ1](#) [718-13.2-1](#) [7A-40.000MAAE-T](#) [FL2000085](#) [99-BU](#) [9B-15.360MBBK-B](#) [9C-7.680MBBK-T](#) [H10S-12.000-18-EXT-TR](#) [ABC2-6.000MHZ-D4Z-T](#) [ABLS-20.000MHZ-D2-T](#) [ABS071-32.768KHZ-6-T](#) [R38-32.768-12.5-5PPM-NPB](#) [BTD1062E05A-513](#) [21U15A-21.4MHZ](#) [RTX-781DF1-S-20.950](#) [LFXTAL066198Cutt](#) [9C-14.31818MBBK-T](#) [A-11.000MHZ-27](#) [ABL-27.000MHZ-B4Y-T](#) [ABM11-132-24.000MHZ-T3](#) [ABM3B1-25.000MHZ-D2Y-T](#) [SPT2A-.032768B](#) [SPT2A.032768G](#) [SSPT7F-9PF20-R](#) [LFXTAL065253Cutt](#) [LFXTAL066431Cutt](#) [XT9S20ANA14M7456](#) [XT9SNLANA16M](#) [7A-24.576MBBK-T](#) [7B-30.000MBBK-T](#) [MMCC2R32.7680KHZ](#) [7A-14.31818MBBK-T](#) [6504-202-1501](#) [6526-202-1501](#) [ABLS-12.000MHZ-B2Y-T](#) [7A-10.000MBBK-T](#) [SG636PCE-20.000MC](#) [3404](#) [E1SAA18-25.000M TR](#) [CM315D32768EZFT](#) [C1E-24.000-7-2020-R](#) [C1E-19.200-12-1530-X-R](#) [C1E-16.000-12-1530-X-R](#) [ABM11-16.000MHZ-9-B1U-T](#) [FL5000014](#) [EUCA18-3.1872M](#) [FX0800015](#) [425F35E027M0000](#) [FP0800018](#) [MS3V-T1R-32.768kHz-7pF-20PPM-TA-QC-Au](#)