

TUNING FORK CRYSTAL UNIT IN SMD 7.0x1.5mm RESIN MOLD PACKAGE.
PRODUCT FEATURES

- Package dimensions 7.0x1.5x1.4 with 4 J-leads.
- Reliable resin mold SMD package suitable for SMT.
- Heat resistant mold allowing high temperature reflow.
- Suitable for low power consumption applications.
- RoHS compliant by exemption.

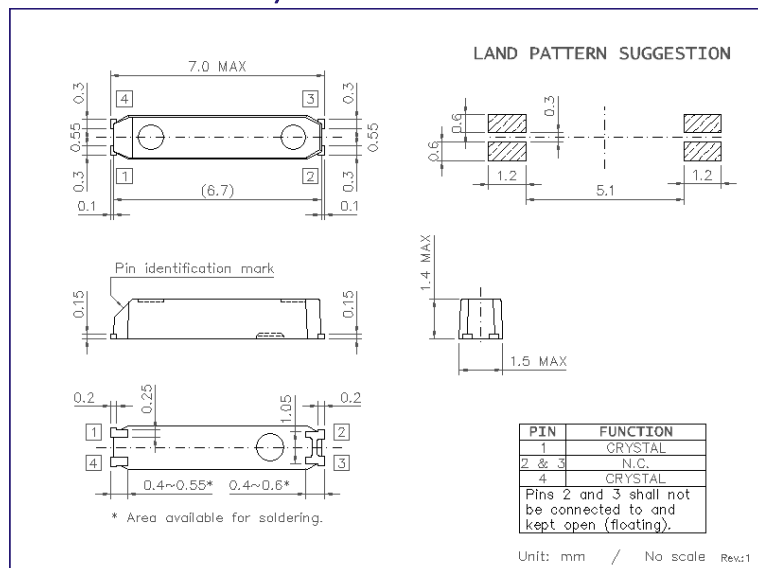
APPLICATIONS

- Real time clocks
- Microprocessors
- Timers and controllers
- Meters and handheld devices

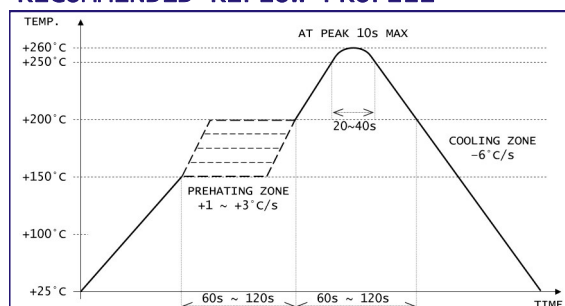
PRODUCT PHOTO (NOT IN SCALE)

PRODUCT SPECIFICATIONS

PARAMETER	3607S	CONDITIONS / REMARKS
Nominal frequency range	32.768kHz	--
Vibration mode	Fundamental	--
Frequency tolerance	±20ppm / ±30ppm	Other options available.
Stability over temperature	-0.04ppm/°C ² MAX	Parabolic coefficient.
Operating temperature range	-20 to +70°C or -40 to +85°C	Other options available.
Turnover temperature	+25±5°C	--
Equivalent series resistance (ESR)	<65kΩ	@ series load
Shunt capacitance	0.8pF	--
Motional capacitance	1.9fF	--
Load capacitance	7pF / 9pF / 12.5pF	Please specify.
Drive level	0.1μW TYP / 1.0μW MAX	--
Aging per year	±3ppm	At +25°C

PACKAGE OUTLINE / DIMENSIONS

PACKAGING INFORMATION

- Tape & Reel compliant to EIA-481.
- Embossed carrier width 16mm.
- Component pitch in carrier 8mm.
- Reel diameter 330mm.
- QTY per reel: 3,000pcs

RECOMMENDED REFLOW PROFILE


X-ON Electronics

Largest Supplier of Electrical and Electronic Components

Click to view similar products for [Crystals](#) category:

Click to view products by [HCI](#) manufacturer:

Other Similar products are found below :

[CX3225GB25000M0PPSZ1](#) [718-13.2-1](#) [7A-40.000MAAE-T](#) [FL2000085](#) [99-BU](#) [9B-15.360MBBK-B](#) [9C-7.680MBBK-T](#) [H10S-12.000-18-EXT-TR](#) [ABC2-6.000MHZ-D4Z-T](#) [ABLS-20.000MHZ-D2-T](#) [ABS071-32.768KHZ-6-T](#) [R38-32.768-12.5-5PPM-NPB](#) [BTD1062E05A-513](#) [21U15A-21.4MHZ](#) [RTX-781DF1-S-20.950](#) [LFXTAL066198Cutt](#) [9C-14.31818MBBK-T](#) [A-11.000MHZ-27](#) [ABL-27.000MHZ-B4Y-T](#) [ABM11-132-24.000MHZ-T3](#) [ABM3B1-25.000MHZ-D2Y-T](#) [SPT2A-.032768B](#) [SPT2A.032768G](#) [LFXTAL065253Cutt](#) [LFXTAL066431Cutt](#) [XT9S20ANA14M7456](#) [XT9SNLANA16M](#) [7A-24.576MBBK-T](#) [7B-30.000MBBK-T](#) [CX2520DB16000H0HPQCC](#) [MMCC2R32.7680KHZ](#) [6504-202-1501](#) [6526-202-1501](#) [ABLS-12.000MHZ-B2Y-T](#) [7A-10.000MBBK-T](#) [SG636PCE-20.000MC](#) [3404](#) [CM315D32768EZFT](#) [C1E-24.000-7-2020-R](#) [C1E-19.200-12-1530-X-R](#) [C1E-16.000-12-1530-X-R](#) [ABM11-16.000MHZ-9-B1U-T](#) [FL5000014](#) [EUCA18-3.1872M](#) [FX0800015](#) [425F35E027M0000](#) [FP0800018](#) [MS3V-T1R-32.768kHz-7pF-20PPM-TA-QC-Au](#) [VXM7-1C1-16M000](#) [MS3V-T1R-32.768kHz-9pF-20PPM-TA-QC-Au](#)