

TCXO UNIT WITH HCMOS OUTPUT IN SMD 3.2x2.5MM CERAMIC SEAM SEAL PACKAGE.

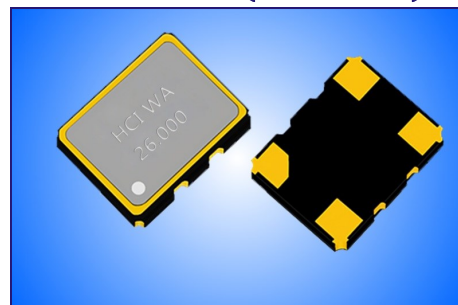
### PRODUCT FEATURES

- Small dimensions 3.2x2.5x1.1 with 4 solder pads.
- Tight stabilities over temperature range.
- RoHS compliant, LEAD-FREE, HALOGEN-FREE and REACH compliant.

### APPLICATIONS

- WiMAX / WLAN / Ethernet
- Telecommunication
- Mobil applications

### PRODUCT PHOTO (NOT IN SCALE)

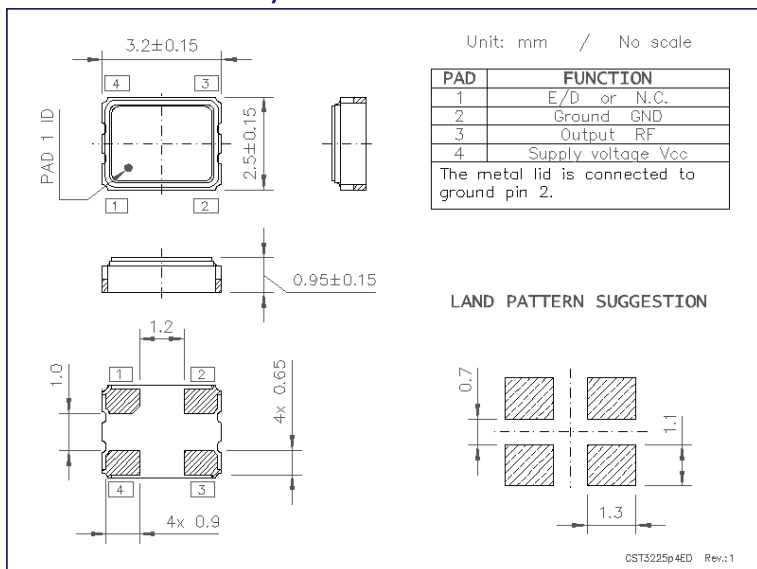


### PRODUCT SPECIFICATIONS

| PARAMETER                   | SUPPLY VOLTAGE                              |        |        | REMARKS                              |
|-----------------------------|---|--------|--------|--------------------------------------|
|                             | 1.8V  | 2.5V   | 3.3V   |                                      |
| Frequency range             | 9.5 ~ 60MHz                                 |        |        | --                                   |
| Frequency tolerance         | ±2.0ppm                                     |        |        | Initial tol. @+25°C                  |
| Frequency stability         | ±2.5ppm                                     | 5.0ppm | ±10ppm | See note below table                 |
| Operating temperature range | -40 to +85°C / -40 to +90°C / -40 to +105°C |        |        | In combination to above stabilities. |
| Aging per year              | ±1.0ppm                                     |        |        | @+25°C                               |
| Output waveform and load    | LVCMOS 15pF                                 |        |        | --                                   |
| Output voltage level HIGH   | 90%Vcc                                      |        |        | Minimum                              |
| Output voltage level LOW    | 10%Vcc                                      |        |        | Maximum                              |
| Rise and Fall times         | 8ns   | 8ns    | 8ns    | @10~90% of Vcc                       |
| Symmetry (duty cycle)       | 45~55%                                      |        |        | @ 50%Vcc                             |
| Phase noise (example 26MHz) | -110dBc/Hz / -130dBc/Hz / -145dBc/Hz        |        |        | @100Hz / 1kHz / 10kHz                |
| Phase jitter RMS            | <1ps  |        |        | 12kHz≤Fj≤20MHz                       |
| Supply current              | 5mA   | 7mA    | 10mA   | @15pF                                |

Note: Frequency stability is the frequency deviation over temperature range in reference to +25°C

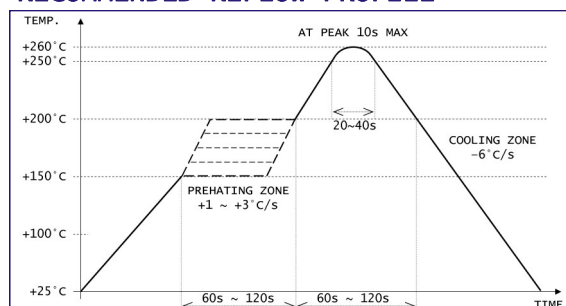
### PACKAGE OUTLINE / DIMENSIONS



### PACKAGING INFORMATION

- Tape & Reel compliant to EIA-481.
- Embossed carrier width 8mm.
- Component pitch in carrier 4mm.
- Reel diameter 180mm.
- QTY per reel: 3,000pcs

### RECOMMENDED REFLOW PROFILE



## X-ON Electronics

Largest Supplier of Electrical and Electronic Components

*Click to view similar products for [TCXO Oscillators](#) category:*

*Click to view products by [HCI manufacturer](#):*

Other Similar products are found below :

[AST3TQ-40.000MHZ-5](#) [SIT5000ACC8E-33VQ-19.200000X](#) [SiT5001AI-2E-33N0-48.000000X](#) [TG3225CEN 25.0000M-KFGNNAB](#)  
[SIT5001AI-2E-33N0-24.000000x](#) [SIT1566AC-JV-18E-32.768E](#) [AST3TDATAACJ5-10.0000MHz](#) [AST3TDATAACJ5-20.0000MHz](#)  
[AST3TDA53TACJ2-38.8800MHz](#) [AST3TDATAACJ5-38.8800MHz](#) [NT0503CC3I287EN10](#) [NT0503CH3I287CN25](#) [NT0503CH3I287CN30.72](#)  
[NT0503CC3I287DN20](#) [TG-3541CE 32.7680KXB0](#) [KT1612A26000AAW18TBL](#) [KT1612A26000AAW18NBL](#) [TG-5006CG-12H 26.0000M0](#)  
[TG2520SMN 38.4000M-MCGNNM3](#) [TG-5006CG-28L 52.0000MX](#) [X1G004131000900](#) [X1G0041310042](#) [1XXC26000PKA](#)  
[X1G005441030316](#) [X1G005441020616](#) [X1G005441030416](#) [X1G005421020416](#) [X1G005441020316](#) [7L26002007](#) [1XTV12800MDA](#)  
[X1G005421031215](#) [X1G005421020516](#) [SX1T19.200B010J020S](#) [T132S4-25000ML33DTL](#) [X1G0053710200](#) [NT0503CH3I287EN10](#) [8153H-](#)  
[50.000LH33DTL](#) [NT0503EH3I106EN10](#) [NT0503CH3I207EN10](#) [NT0507BH3I507EA10](#) [BT0507BC3I287CN38.4B](#) [NT0507BH3I106BA50](#)  
[NT0503CH3I507CN24.576](#) [OW2EL89CENUXFMYLC-16M](#) [OW2EL89CENUXFMYLC-32M](#) [OW7EL89CENUYO3YLC-24M](#)  
[OW3EL89CENUNFAYLC-26M](#) [OW7EL89CENUYO3YLC-20M](#) [OW7EL89CENUNFAYLC-52M](#) [OW2EL89CEI-XFMYLC-25M](#)