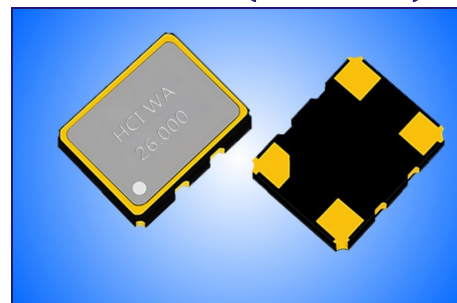


TCXO UNIT WITH HCMOS OUTPUT IN SMD 3.2x2.5MM CERAMIC SEAM SEAL PACKAGE.

### PRODUCT FEATURES

- Small dimensions 3.2x2.5x1.1 with 4 solder pads.
- Tight stabilities over temperature range.
- RoHS compliant, LEAD-FREE, HALOGEN-FREE and REACH compliant.

### PRODUCT PHOTO (NOT IN SCALE)



### APPLICATIONS

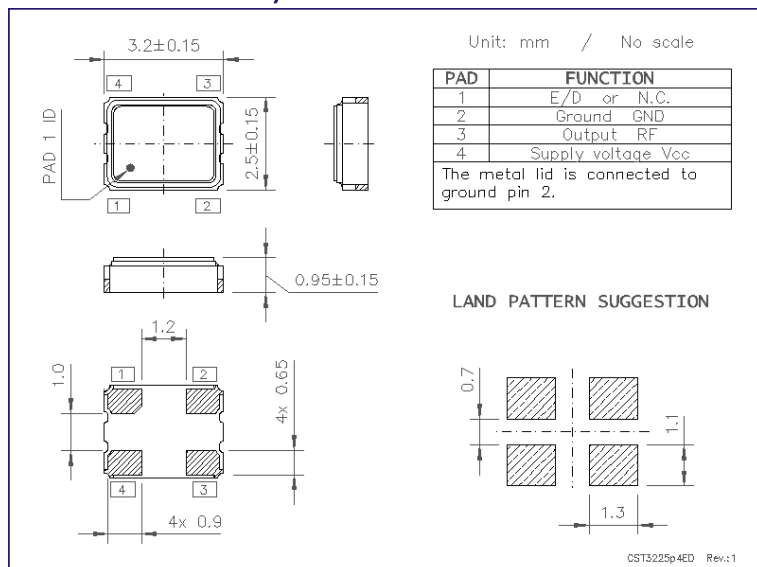
- WiMAX / WLAN / Ethernet
- Telecommunication
- Mobil applications

### PRODUCT SPECIFICATIONS

PARAMETER	SUPPLY VOLTAGE			REMARKS
	1.8V	2.5V	3.3V	
Frequency range	9.5 ~ 60MHz			--
Frequency tolerance	±2.0ppm			Initial tol. @+25°C
Frequency stability	±2.5ppm	5.0ppm	±10ppm	See note below table
Operating temperature range	-40 to +85°C / -40 to +90°C / -40 to +105°C			In combination to above stabilities.
Aging per year	±1.0ppm			@+25°C
Output waveform and load	LVCMOS 15pF			--
Output voltage level HIGH	90%Vcc			Minimum
Output voltage level LOW	10%Vcc			Maximum
Rise and Fall times	8ns	8ns	8ns	@10~90% of Vcc
Symmetry (duty cycle)	45~55%			@ 50%Vcc
Phase noise (example 26MHz)	-110dBc/Hz / -130dBc/Hz / -145dBc/Hz			@100Hz / 1kHz / 10kHz
Phase jitter RMS	<1ps			12kHz≤Fj≤20MHz
Supply current	5mA	7mA	10mA	@15pF

Note: Frequency stability is the frequency deviation over temperature range in reference to +25°C

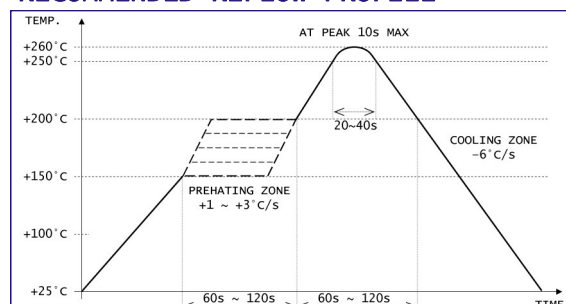
### PACKAGE OUTLINE / DIMENSIONS



### PACKAGING INFORMATION

- Tape & Reel compliant to EIA-481.
- Embossed carrier width 8mm.
- Component pitch in carrier 4mm.
- Reel diameter 180mm.
- QTY per reel: 3,000pcs

### RECOMMENDED REFLOW PROFILE



## X-ON Electronics

Largest Supplier of Electrical and Electronic Components

*Click to view similar products for [TCXO Oscillators](#) category:*

*Click to view products by [HCI manufacturer](#):*

Other Similar products are found below :

[AST3TQ-40.000MHZ-5](#) [SIT5000ACC8E-33VQ-19.200000X](#) [SiT5001AI-2E-33N0-48.000000X](#) [TG3225CEN 25.0000M-KFGNNAB](#)  
[SIT5001AI-2E-33N0-24.000000x](#) [SIT1566AC-JV-18E-32.768E](#) [AST3TDATACJ5-10.0000MHz](#) [AST3TDATACJ5-20.0000MHz](#)  
[AST3TDA53TACJ2-38.8800MHz](#) [AST3TDATACJ5-38.8800MHz](#) [NT0503CC3I287EN10](#) [NT0503CH3I287CN25](#) [NT0503CH3I287CN30.72](#)  
[NT0503CC3I287DN20](#) [TG-3541CE 32.7680KXB0](#) [KT1612A26000AAW18TBL](#) [KT1612A26000AAW18NBL](#) [TG-5006CG-12H 26.0000M0](#)  
[TG2520SMN 38.4000M-MCGNNM3](#) [TG-5006CG-28L 52.0000MX](#) [X1G004131000900](#) [X1G0041310042](#) [1XXC26000PKA](#)  
[X1G005441030316](#) [X1G005441020616](#) [X1G005441030416](#) [X1G005421020416](#) [X1G005441020316](#) [7L26002007](#) [1XTV12800MDA](#)  
[X1G005421031215](#) [X1G005421020516](#) [SX1T19.200B010J020S](#) [T132S4-25000ML33DTL](#) [X1G0053710200](#) [NT0503CH3I287EN10](#) [8153H-](#)  
[50.000LH33DTL](#) [NT0503EH3I106EN10](#) [NT0507BH3I107BN40](#) [NT0503CH3I207EN10](#) [NT0507BH3I507EA10](#) [BT0507BC3I287CN38.4B](#)  
[NT0507BH3I106BA50](#) [NT0503CH3I507CN24.576](#) [OW2EL89CENUXFMYLC-16M](#) [OW2EL89CENUXFMYLC-32M](#)  
[OW2EL89CENUXFMYLC-24M](#) [OW7EL89CENUYO3YLC-24M](#) [OW3EL89CENUNFAYLC-26M](#) [OW7EL89CENUYO3YLC-20M](#)