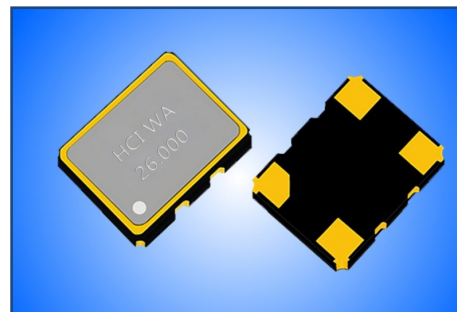


TCVXO UNIT WITH CLIPPED SINE WAVE OUTPUT IN SMD 3.2x2.5MM CERAMIC SEAM SEAL PACKAGE.
PRODUCT FEATURES

- Small dimensions 3.2x2.5x0.9 with 4 solder pads.
- Tight stabilities over temperature range.
- Voltage control function allows compensation of tolerance.
- RoHS compliant, LEAD-FREE, HALOGEN-FREE and REACH compliant.

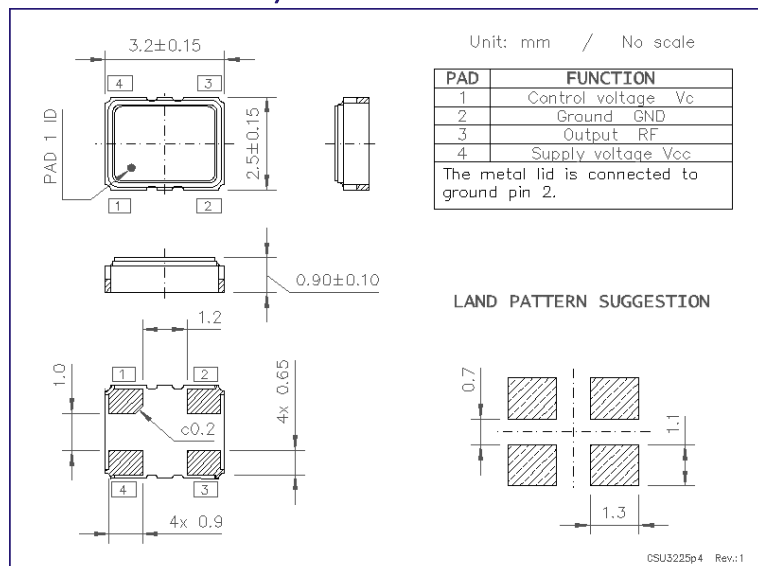
APPLICATIONS

- WiMAX / WLAN / Ethernet
- Telecommunication
- Mobil applications

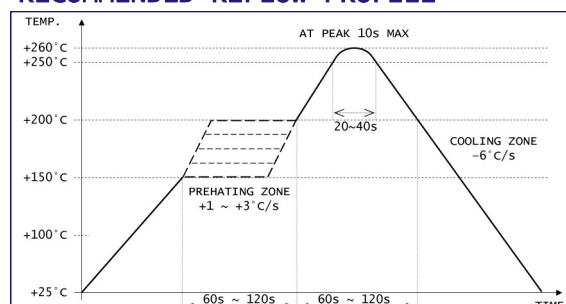
PRODUCT PHOTO (NOT IN SCALE)

PRODUCT SPECIFICATIONS

PARAMETER	SUPPLY VOLTAGE			REMARKS
	1.8V	2.5V	2.8/ 3.0/ 3.3V	
Frequency range	10 ~ 52MHz			--
Frequency tolerance	±2.0ppm			Initial tol. @+25°C
Frequency stability	±0.5ppm; ±1.0ppm; 1.5ppm; ±2.0ppm; ±2.5ppm			See note below table
Operating temperature range	-20 to +70°C / -30 to +85°C / -40 to +85°C			In combination to above stabilities.
Aging per year	±1.0ppm			@+25°C
Control voltage range Vc	0.3 ~ 1.5V _{DC}	0.4 ~ 2.4V _{DC}	0.5 ~ 2.5V _{DC}	Voltage on pin 1
Frequency pulling range	±5.0ppm			Over control voltage
Output waveform	Clipped Sine Wave			--
Output load	10kΩ/10pF			--
Output voltage level	0.8Vp-p			Minimum
Phase noise (example 19.2MHz)	-115dBc/Hz / -135dBc/Hz / -148dBc/Hz			@100Hz / @1kHz / @10kHz
Phase jitter RMS	<1ps			12kHz≤Fj≤20MHz
Supply current	1.5mA / 2.0mA			@10kΩ/10pF (higher value >26MHz)

Note: Frequency stability is the frequency deviation over temperature range in reference to +25°C

PACKAGE OUTLINE / DIMENSIONS

PACKAGING INFORMATION

- Tape & Reel compliant to EIA-481.
- Embossed carrier width 8mm.
- Component pitch in carrier 4mm.
- Reel diameter 180mm.
- QTY per reel: 3,000pcs

RECOMMENDED REFLOW PROFILE


X-ON Electronics

Largest Supplier of Electrical and Electronic Components

Click to view similar products for [TCXO Oscillators](#) category:

Click to view products by [HCI manufacturer](#):

Other Similar products are found below :

[AST3TQ-40.000MHZ-5](#) [SIT5000ACC8E-33VQ-19.200000X](#) [SiT5001AI-2E-33N0-48.000000X](#) [TG3225CEN 25.0000M-KFGNNAB](#)
[SIT5001AI-2E-33N0-24.000000x](#) [SIT1566AC-JV-18E-32.768E](#) [AST3TDATACJ5-10.0000MHz](#) [AST3TDATACJ5-20.0000MHz](#)
[AST3TDA53TACJ2-38.8800MHz](#) [AST3TDATACJ5-38.8800MHz](#) [NT0503CC3I287EN10](#) [NT0503CH3I287CN25](#) [NT0503CH3I287CN30.72](#)
[NT0503CC3I287DN20](#) [TG-3541CE 32.7680KXB0](#) [KT1612A26000AAW18TBL](#) [KT1612A26000AAW18NBL](#) [TG-5006CG-12H 26.0000M0](#)
[TG2520SMN 38.4000M-MCGNNM3](#) [X1G004131000900](#) [X1G0041310042](#) [1XXC26000PKA](#) [X1G005441030316](#) [X1G005441020616](#)
[X1G005441030416](#) [X1G005421020416](#) [X1G005441020316](#) [7L26002007](#) [1XTV12800MDA](#) [X1G005421031215](#) [X1G005421020516](#)
[SX1T19.200B010J020S](#) [T132S4-25000ML33DTL](#) [X1G0053710200](#) [NT0503CH3I287EN10](#) [8153H-50.000LH33DTL](#) [NT0503EH3I106EN10](#)
[NT0507BH3I107BN40](#) [NT0503CH3I207EN10](#) [NT0507BH3I507EA10](#) [BT0507BC3I287CN38.4B](#) [NT0507BH3I106BA50](#)
[NT0503CH3I507CN24.576](#) [OW2EL89CENUXFMYLC-16M](#) [OW2EL89CENUXFMYLC-32M](#) [OW2EL89CENUXFMYLC-24M](#)
[OW7EL89CENUYO3YLC-24M](#) [OW3EL89CENUNFAYLC-26M](#) [OW7EL89CENUYO3YLC-20M](#) [OW7EL89CENUNFAYLC-52M](#)