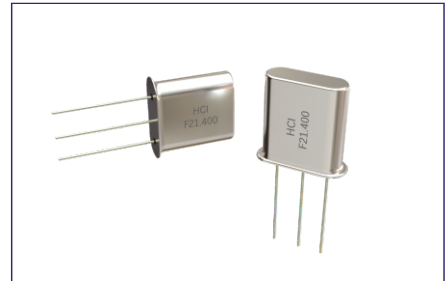


CRYSTAL FILTER UM-1/UM-5 PACKAGE

PRODUCT FEATURES

- Dimensions 7.9X3.3X8.0/5.8
- Low Insertion loss
- High selectivity
- Shock Resistant, High reliability
- RoHS compliant, Pb-Free and Halogen-Free

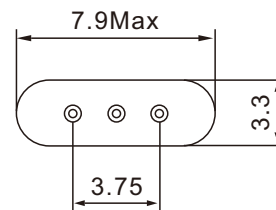
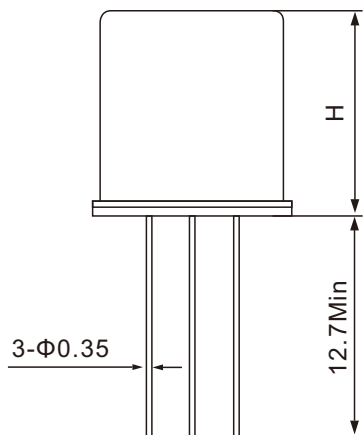
PRODUCT PHOTO



PRODUCT SPECIFICATIONS

Type	Frequency (MHz)	Bandwidth		StopBand Width		Ripple (dB)	Insertion Loss(dB)	Guaranteed Attenuation (dB)	Terminating Impedance (Ω // μ F)	No of Poles	Size (mm)
		dB	KHz	dB	KHz						
21M7.5A	21.4	3	3.75	20	18	0.5	1.5	20	850//6	2	UM-1
21M7.5B	21.4	3	3.75	40	14	1	2	40	850//5	4	UM-1x2
21M12A	21.4	3	6	20	25	0.5	1.5	20	1.2k//3	2	UM-1
21M12B	21.4	3	6	40	20	1	2	40	1.2k//2.5	4	UM-1x2
21M15A	21.4	3	7.5	18	25	1	1.5	20	1.5k//2.5	2	UM-1
21M15B	21.4	3	7.5	40	25	1	2.5	40	1.5k//2	4	UM-1x2
10M3A	10	6	1.5	18	14	0.5	4	-	1000	2	UM-1
28M11B	28.0125	3	11	60	55	1	2	60	1500	4	UM-5x2
38.8M15B	38.855	3	7.5	40	60	1	2	40	1500	4	UM-5x2
40M15B	40	3	7.5	45	25	1	4	40	1000	4	UM-5x2
45M12A	45	3	6	15	22	1	2	-	650//5	2	UM-1
45M12B	45	3	6	30	20	1	3	40	650//4	4	UM-1x2
45M15A	45	3	7.5	15	25	1	2	-	650//2	2	UM-1
45M15B	45	3	7.5	30	25	1	3	40	650//2	4	UM-1x2

PACKAGE OUTLINE / DIMENSIONS



Package	Height(mm)
UM-1	8.0
UM-5	5.8

X-ON Electronics

Largest Supplier of Electrical and Electronic Components

Click to view similar products for [HCI manufacturer](#):

Other Similar products are found below :

[0110M4-76.800F9.9DYQGL](#) [0111M424000F12DTNL](#) [0121M4-16.000F09DTNLL](#) [0121M4-16.000F12DTNLL](#) [0121M4-24000F10DTNJL](#)
[0121M424000F12HPNN](#) [0121M4-25.000F10DTNJL](#) [0121M4-25000FTLDTNJL](#) [0121M4-32000F08DTNLL](#) [0121M4-32.000F09DTNLL](#)
[0121M4-32000F12DTNLL](#) [0121M4-37.400F18DTNJL](#) [0121M4-38.400F10HPNNL](#) [0121M4-40.000F10DZNCL](#) [0121M4-50.000F10DWNGL](#)
[0122M4-12.000F12DTNJL](#) [0122M4-12000F16DTLJL](#) [0122M4-12.000F20DTNJL](#) [0122M4-24.000F10DTNJL](#) [0122M4-24000F12DTNJL](#)
[0122M4-24000F22DTLLL](#) [0122M4-26.000F10DTNLL](#) [0122M4-37.400F12DTNLL](#) [0122M4-37.400F16DTNJL](#) [0122M4-40.000F15HPNNL](#)
[0132M4-10.000F12DTNJL](#) [0132M4-10.9066F12DTNJL](#) [0132M4-11.0592F20DTNJL](#) [0132M4-12.000F09DTNJL](#) [0132M412000F10FTNNL](#)
[0132M4-12000F12DTNJL](#) [0132M4-12.000F20DTNJL](#) [0132M4-12.800F20DTNJL](#) [0132M4-13000F12DTNJL](#) [0132M4-13.1072F08DTNJL](#)
[0132M4-13.52127F10DTLLL](#) [0132M4-13.52127F20DTLLL](#) [0132M4-13.52443F20DTNJL](#) [0132M4-13.53125F20DTNJL](#)
[0132M414318180F12DTLJ](#) [0132M4-16000F09DTNJL](#) [0132M4-16000F12DWLAL](#) [0132M4-16.967603F08DTNJL](#) [0132M4-](#)
[20000F20DTNJL](#) [0132M4-24000F09CTNLL](#) [0132M424000F09DTNJ](#) [0132M4-24000F10DTNJL](#) [0132M4-24000F12DTLJL](#) [0132M4-](#)
[24.000F15DTNJL](#) [0132M424000F18DTNJ](#)