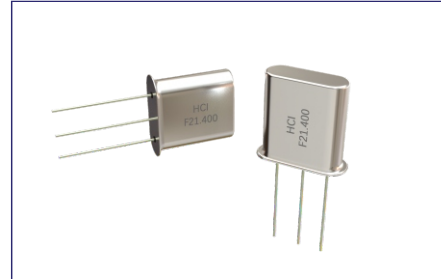


### CRYSTAL FILTER UM-1/UM-5 PACKAGE

#### PRODUCT FEATURES

- Dimensions 7.9X3.3X8.0/5.8
- Low Insertion loss
- High selectivity
- Shock Resistant, High reliability
- RoHS compliant, Pb-Free and Halogen-Free

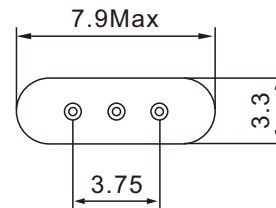
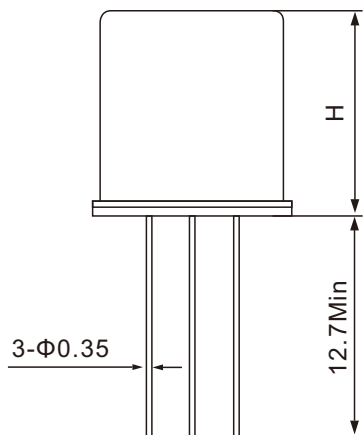
#### PRODUCT PHOTO



#### PRODUCT SPECIFICATIONS

| Type     | Frequency (MHz) | Bandwidth |      | StopBand Width |     | Ripple (dB) | Insertion Loss(dB) | Guaranteed Attenuation (dB) | Terminating Impedance ( $\Omega$ // $\mu$ F) | No of Poles | Size (mm) |
|----------|-----------------|-----------|------|----------------|-----|-------------|--------------------|-----------------------------|--|-------------|-----------|
|          |                 | dB        | KHz  | dB             | KHz |             |                    |                             |  |             |           |
| 21M7.5A  | 21.4            | 3         | 3.75 | 20             | 18  | 0.5         | 1.5                | 20                          | 850//6                                       | 2           | UM-1      |
| 21M7.5B  | 21.4            | 3         | 3.75 | 40             | 14  | 1           | 2                  | 40                          | 850//5                                       | 4           | UM-1x2    |
| 21M12A   | 21.4            | 3         | 6    | 20             | 25  | 0.5         | 1.5                | 20                          | 1.2k//3                                      | 2           | UM-1      |
| 21M12B   | 21.4            | 3         | 6    | 40             | 20  | 1           | 2                  | 40                          | 1.2k//2.5                                    | 4           | UM-1x2    |
| 21M15A   | 21.4            | 3         | 7.5  | 18             | 25  | 1           | 1.5                | 20                          | 1.5k//2.5                                    | 2           | UM-1      |
| 21M15B   | 21.4            | 3         | 7.5  | 40             | 25  | 1           | 2.5                | 40                          | 1.5k//2                                      | 4           | UM-1x2    |
| 10M3A    | 10              | 6         | 1.5  | 18             | 14  | 0.5         | 4                  | -                           | 1000   | 2           | UM-1      |
| 28M11B   | 28.0125         | 3         | 11   | 60             | 55  | 1           | 2                  | 60                          | 1500   | 4           | UM-5x2    |
| 38.8M15B | 38.855          | 3         | 7.5  | 40             | 60  | 1           | 2                  | 40                          | 1500   | 4           | UM-5x2    |
| 40M15B   | 40              | 3         | 7.5  | 45             | 25  | 1           | 4                  | 40                          | 1000   | 4           | UM-5x2    |
| 45M12A   | 45              | 3         | 6    | 15             | 22  | 1           | 2                  | -                           | 650//5                                       | 2           | UM-1      |
| 45M12B   | 45              | 3         | 6    | 30             | 20  | 1           | 3                  | 40                          | 650//4                                       | 4           | UM-1x2    |
| 45M15A   | 45              | 3         | 7.5  | 15             | 25  | 1           | 2                  | -                           | 650//2                                       | 2           | UM-1      |
| 45M15B   | 45              | 3         | 7.5  | 30             | 25  | 1           | 3                  | 40                          | 650//2                                       | 4           | UM-1x2    |

#### PACKAGE OUTLINE / DIMENSIONS



| Package | Height(mm) |
|---------|------------|
| UM-1    | 8.0        |
| UM-5    | 5.8        |

## X-ON Electronics

Largest Supplier of Electrical and Electronic Components

*Click to view similar products for [HCI manufacturer](#):*

Other Similar products are found below :

[0110M4-76.800F9.9DYQGL](#) [0111M424000F12DTNL](#) [0121M4-16.000F09DTNLL](#) [0121M4-16.000F12DTNLL](#) [0121M4-24000F10DTNJL](#)  
[0121M424000F12HPNN](#) [0121M4-25.000F10DTNJL](#) [0121M4-25000FTLDTNJL](#) [0121M4-32000F08DTNLL](#) [0121M4-32.000F09DTNLL](#)  
[0121M4-32000F12DTNLL](#) [0121M4-37.400F18DTNJL](#) [0121M4-38.400F10HPNNL](#) [0121M4-40.000F10DZNCL](#) [0121M4-50.000F10DWNGL](#)  
[0122M4-12.000F12DTNJL](#) [0122M4-12000F16DTLJL](#) [0122M4-12.000F20DTNJL](#) [0122M4-24.000F10DTNJL](#) [0122M4-24000F12DTNJL](#)  
[0122M4-24000F22DTLLL](#) [0122M4-26.000F10DTNLL](#) [0122M4-37.400F12DTNLL](#) [0122M4-37.400F16DTNJL](#) [0122M4-40.000F15HPNNL](#)  
[0132M4-10.000F12DTNJL](#) [0132M4-10.9066F12DTNJL](#) [0132M4-11.0592F20DTNJL](#) [0132M4-12.000F09DTNJL](#) [0132M412000F10FTNNL](#)  
[0132M4-12000F12DTNJL](#) [0132M4-12.000F20DTNJL](#) [0132M4-12.800F20DTNJL](#) [0132M4-13000F12DTNJL](#) [0132M4-13.1072F08DTNJL](#)  
[0132M4-13.52127F10DTLLL](#) [0132M4-13.52127F20DTLLL](#) [0132M4-13.52443F20DTNJL](#) [0132M414318180F12DTLJ](#) [0132M4-](#)  
[16000F09DTNJL](#) [0132M4-16000F12DWLAL](#) [0132M4-16.967603F08DTNJL](#) [0132M4-20000F20DTNJL](#) [0132M4-24000F09CTNLL](#)  
[0132M424000F09DTNJ](#) [0132M4-24000F10DTNJL](#) [0132M4-24000F12DTLJL](#) [0132M4-24.000F15DTNJL](#) [0132M424000F18DTNJ](#) [0132M4-](#)  
[24000F18DTNJL](#)