

OSCILLATOR UNIT WITH CMOS OUTPUT IN SMD 3.2x2.5mm CERAMIC SEAM SEAL PACKAGE.
PRODUCT FEATURES

- Small dimensions 3.2x2.5x1.0 with 4 solder pads.
- Tight stabilities over temperature range.
- Tri-state enable/ disable function (pad 1).
- Automotive compliance to AEC-Q200 available.
- ROHS compliant, LEAD-FREE, HALOGEN-FREE and REACH compliant.

APPLICATIONS

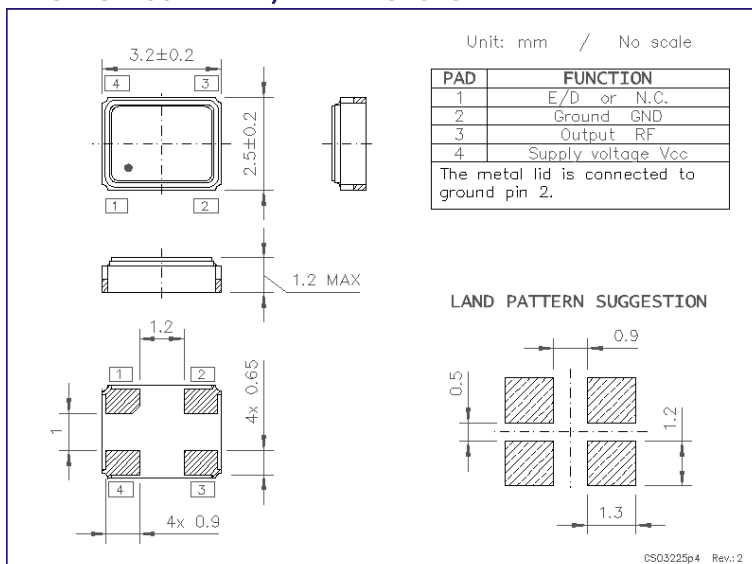
- WiFi / WiMAX / Bluetooth
- Mobil phone
- Set-top Box / HDTV

PRODUCT PHOTO (NOT IN SCALE)

PRODUCT SPECIFICATIONS

| PARAMETER | SUPPLY VOLTAGE | | | REMARKS |
|-----------------------------|--|---------------|---------------|-----------------------------------|
| | 1.8V | 2.5V | 3.3V | |
| Frequency range | 1.25 ~ 125MHz | 1.25 ~ 125MHz | 1.25 ~ 125MHz | 32.768kHz available |
| Frequency stability | ±20ppm / ±25ppm / ±50ppm | | | See note below |
| Operating temperature range | -10 to +60°C / -20 to +70°C / -40 to +85°C | | | options available |
| Aging first year | ±3.0ppm | | | @+25°C |
| Supply current | 7mA | 10mA | 15mA | with load 15pF |
| Output waveform and load | LVCMOS 15pF | | | 30pF optional |
| Output voltage level HIGH | 1.62V | 2.25V | 2.97V | Minimum |
| Output voltage level LOW | 0.18V | 0.25V | 0.33V | Maximum |
| Rise and Fall times | 5ns | 4ns | 3ns | <10MHz @10~90% of V _{CC} |
| | 4ns | 3ns | 3ns | ≥10MHz @10~90% of V _{CC} |
| Symmetry (duty cycle) | 45~55% or 40~60% | | | @ 50%V _{CC} |
| Phase jitter RMS | <1ps | | | 12kHz ≤ F _j ≤ 20MHz |

Note: Stability includes frequency deviations at +25°C, over temperature range, due to supply voltage changes, output load changes, shock and vibration.

PACKAGE OUTLINE / DIMENSIONS

PACKAGING INFORMATION

- Tape & Reel compliant to EIA-481.
- Embossed carrier width 8mm.
- Component pitch in carrier 4mm.
- Reel diameter 180mm.
- QTY per reel: 3,000pcs

RECOMMENDED REFLOW PROFILE


X-ON Electronics

Largest Supplier of Electrical and Electronic Components

Click to view similar products for [Standard Clock Oscillators](#) category:

Click to view products by [HCI manufacturer](#):

Other Similar products are found below :

[601252](#) [F335-25](#) [F535L-33.333](#) [F535L-50](#) [ASV-20.000MHZ-LR-T](#) [MXO45HS-2C-66.6666MHZ](#) [NBXDBB017LN1TAG](#) [SiT1602BI-22-33E-50.000000E](#) [SiT8209AI-32-33E-125.000000](#) [SIT8918AA-11-33S-50.000000G](#) [SM4420TEV-40.0M-T1K](#) [F335-24](#) [F335-40](#) [F535L-10](#) [F535L-12](#) [F535L-16](#) [F535L-24](#) [F535L-27](#) [PE7744DW-100.0M](#) [ASF1-3.686MHZ-N-K-S](#) [ASV-4.000MHZ-LCS-T](#) [XLH735025.000JU4I8](#) [XLP725125.000JU6I8](#) [XO57CTECNA3M6864](#) [ECS-2100A-147.4](#) [601251](#) [EP16E7E2H26.000MTR](#) [SiT8503AI-18-33E-0.200000X](#) [SIT8918AA-11-33S-16.000000G](#) [SIT9122AI2C233E300.000000X](#) [XO37CTECNA20M](#) [XO3003](#) [9120AC-2D2-33E212.500000](#) [9102AI-243N25E100.000000](#) [8208AC-82-18E-25.000000](#) [8008AI-72-XXE-24.545454E](#) [8004AC-13-33E-133.33000X](#) [AS-4.9152-16-SMD-TR](#) [ASFL1-48.000MHZ-LC-T](#) [632L3I004M00000](#) [SIT8920AM-31-33E-25.0000](#) [DSC1028DI2-019.2000](#) [9121AC-2C3-25E100.000000](#) [9102AI-233N33E100.00000X](#) [9102AI-233N25E200.000000](#) [9102AI-232H25S125.000000](#) [9102AI-133N25E200.000000](#) [9102AC-283N25E200.000000](#) [9001AC-33-33E1-30.000](#) [3921AI-2CF-33NZ125.000000](#)