

TUNING FORK CRYSTAL IN SMD 3.2x1.5MM CERAMIC SEAM SEAL PACKAGE.
PRODUCT FEATURES

- Small dimensions 3.2x1.5x0.8mm with 2 solder pads.
- Highly reliable vacuum seam sealed ceramic package.
- Tight tolerances available.
- RoHS compliant, LEAD-FREE and HALOGEN-FREE.

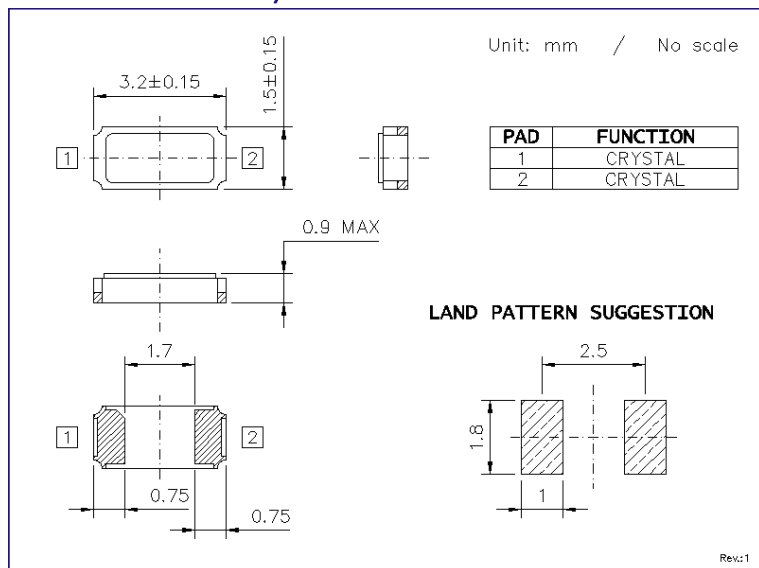
PRODUCT PHOTO (NOT IN SCALE)

APPLICATIONS

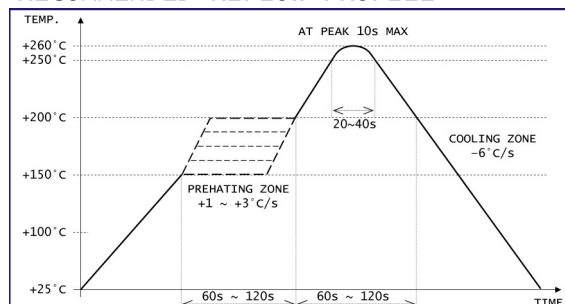
- Mobil communication
- Handheld equipment

PRODUCT SPECIFICATIONS

PARAMETER	FC31M2	CONDITIONS / REMARKS
Nominal frequency range	32.768kHz	
Crystal mode	Fundamental	
Frequency tolerance	±20ppm / ±30ppm / ±50ppm	Other options available.
Stability over temperature	-0.03±0.01ppm/Δ°C ²	Parabolic coefficient.
Operating temperature range	-40 to +85°C	Other options available.
Turning point temperature	25±5°C	
Equivalent series resistance	<70kΩ	
Shunt capacitance (TYP)	1.5pF	
Motional capacitance (TYP)	3.3fF	
Load capacitance	6pF / 9pF / 12.5pF	Please specify.
Drive level	0.1μW TYP / 0.5μW MAX	
Aging per year	±3ppm	At +25°C
Storage temperature range	-55 to +125°C	

PACKAGE OUTLINE / DIMENSIONS

PACKAGING INFORMATION

- Tape & Reel compliant to EIA-481.
- Embossed carrier width 12mm.
- Component pitch in carrier 4mm.
- Reel diameter 180mm.
- QTY per reel: 3,000pcs MAX.

RECOMMENDED REFLOW PROFILE


X-ON Electronics

Largest Supplier of Electrical and Electronic Components

Click to view similar products for [Crystals](#) category:

Click to view products by [HCI](#) manufacturer:

Other Similar products are found below :

[CX3225GB25000M0PPSZ1](#) [718-13.2-1](#) [MC405 32.0000K-R3:PURE SN](#) [7A-40.000MAAE-T](#) [FL2000085](#) [99-BU](#) [9B-15.360MBBK-B](#) [9C-7.680MBBK-T](#) [H10S-12.000-18-EXT-TR](#) [ABC2-6.000MHZ-D4Z-T](#) [ABLS-20.000MHZ-D2-T](#) [ABS071-32.768KHZ-6-T](#) [R38-32.768-12.5-5PPM-NPB](#) [BTD1062E05A-513](#) [21U15A-21.4MHZ](#) [RTX-781DF1-S-20.950](#) [LFXTAL066198Cutt](#) [9C-14.31818MBBK-T](#) [A-11.000MHZ-27](#) [ABL-27.000MHZ-B4Y-T](#) [ABM11-132-24.000MHZ-T3](#) [ABM3B1-25.000MHZ-D2Y-T](#) [SPT2A-.032768B](#) [SPT2A.032768G](#) [SSPT7F-9PF20-R](#) [FX325BS-38.88EEM1201](#) [LFXTAL065253Cutt](#) [LFXTAL066431Cutt](#) [XT9S20ANA14M7456](#) [XT9SNLANA16M](#) [7A-24.576MBBK-T](#) [7B-30.000MBBK-T](#) [7A-14.31818MBBK-T](#) [6504-202-1501](#) [6526-202-1501](#) [ABLS-12.000MHZ-B2Y-T](#) [7A-10.000MBBK-T](#) [SG636PCE-20.000MC](#) [3404](#) [E1SAA18-25.000M TR](#) [CM315D32768EZFT](#) [C1E-24.000-7-2020-R](#) [C1E-19.200-12-1530-X-R](#) [C1E-16.000-12-1530-X-R](#) [ABM11-16.000MHZ-9-B1U-T](#) [FL5000014](#) [EUCA18-3.1872M](#) [FX0800015](#) [425F35E027M0000](#) [FP0800018](#)