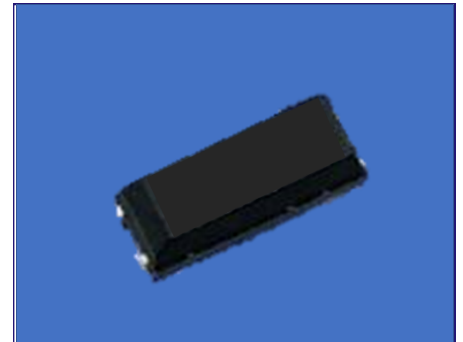


TUNING FORK CRYSTAL UNIT IN SMD 10.4x4.1mm RESIN MOLD PACKAGE.
PRODUCT FEATURES

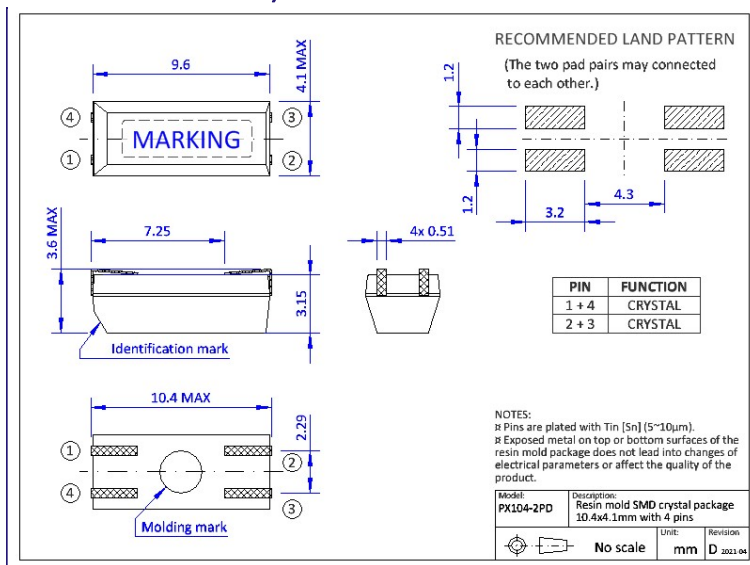
- Package dimensions 10.4x4.1x3.6mm with 4 J-leads.
- Reliable resin mold SMD package suitable for SMT.
- Heat resistant mold allowing high temperature reflow.
- Suitable for low power consumption applications.
- RoHS compliant by exemption.

APPLICATIONS

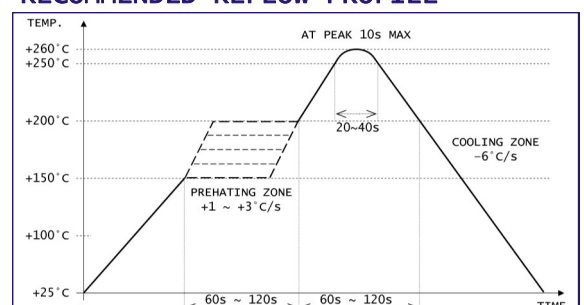
- Real time clocks
- Microprocessors
- Timers and controllers
- Meters and handheld devices

PRODUCT PHOTO (NOT IN SCALE)

PRODUCT SPECIFICATIONS

PARAMETER	FR10SH		CONDITIONS / REMARKS		
Nominal frequency range	32.768kHz	20 ~ 165kHz	Please contact us for available frequencies.		
Vibration mode	Fundamental				
Frequency tolerance	±20ppm / ±50ppm	±50ppm / ±100ppm	Other options available.		
Stability over temperature	-0.04ppm/°C ² MAX		Parabolic coefficient.		
Operating temperature range	-20 to +70°C or -40 to +85°C		Other options available.		
Turnover temperature	+25±5°C				
Equivalent series resistance (ESR)	<50kΩ	<60kΩ	20~31.2kHz	<20kΩ	40~130kHz
		<50kΩ	31.2~40kHz	<10kΩ	130~165kHz
Shunt capacitance	1.9pF	0.6~2.0pF	Depending on frequency.		
Motional capacitance	2.7fF	0.6~4.0fF	Depending on frequency.		
Load capacitance	6, 7, 9 or 12.5pF	6~32pF or SERIES	Please specify.		
Drive level	0.5µW TYP / 2.0µW MAX				
Aging per year	±3ppm		At +25°C		

PACKAGE OUTLINE / DIMENSIONS

PACKAGING INFORMATION

- Tape & Reel compliant to EIA-481.
- Embossed carrier width 16mm.
- Component pitch in carrier 8mm.
- Reel diameter 330mm.
- QTY per reel: 3,000pcs

RECOMMENDED REFLOW PROFILE


X-ON Electronics

Largest Supplier of Electrical and Electronic Components

Click to view similar products for [Crystals](#) category:

Click to view products by [HCI](#) manufacturer:

Other Similar products are found below :

[CX3225GB25000M0PPSZ1](#) [718-13.2-1](#) [7A-40.000MAAE-T](#) [FL2000085](#) [99-BU](#) [9B-15.360MBBK-B](#) [9C-7.680MBBK-T](#) [H10S-12.000-18-EXT-TR](#) [ABC2-6.000MHZ-D4Z-T](#) [ABLS-20.000MHZ-D2-T](#) [ABS071-32.768KHZ-6-T](#) [R38-32.768-12.5-5PPM-NPB](#) [BTD1062E05A-513](#) [21U15A-21.4MHZ](#) [RTX-781DF1-S-20.950](#) [LFXTAL066198Cutt](#) [9C-14.31818MBBK-T](#) [A-11.000MHZ-27](#) [ABL-27.000MHZ-B4Y-T](#) [ABM11-132-24.000MHZ-T3](#) [ABM3B1-25.000MHZ-D2Y-T](#) [SPT2A-.032768B](#) [SPT2A.032768G](#) [SSPT7F-9PF20-R](#) [LFXTAL065253Cutt](#) [LFXTAL066431Cutt](#) [XT9S20ANA14M7456](#) [XT9SNLANA16M](#) [7A-24.576MBBK-T](#) [7B-30.000MBBK-T](#) [MMCC2R32.7680KHZ](#) [7A-14.31818MBBK-T](#) [6504-202-1501](#) [6526-202-1501](#) [ABLS-12.000MHZ-B2Y-T](#) [7A-10.000MBBK-T](#) [SG636PCE-20.000MC](#) [3404](#) [E1SAA18-25.000M TR](#) [CM315D32768EZFT](#) [C1E-24.000-7-2020-R](#) [C1E-19.200-12-1530-X-R](#) [C1E-16.000-12-1530-X-R](#) [ABM11-16.000MHZ-9-B1U-T](#) [FL5000014](#) [EUCA18-3.1872M](#) [FX0800015](#) [425F35E027M0000](#) [FP0800018](#) [MS3V-T1R-32.768kHz-7pF-20PPM-TA-QC-Au](#)