

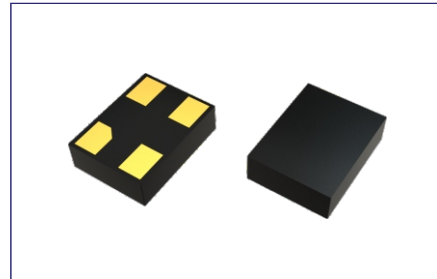


SMD 2.0x1.6 csp PACKAGE

PRODUCT FEATURES

- Small size 2.0x1.6x1.0mm
- The optional frequency can be customized
- High transmit and receive sensitivity
- High temperature resistance and impact resistance
- Good power and reliability
- RoHS compliant

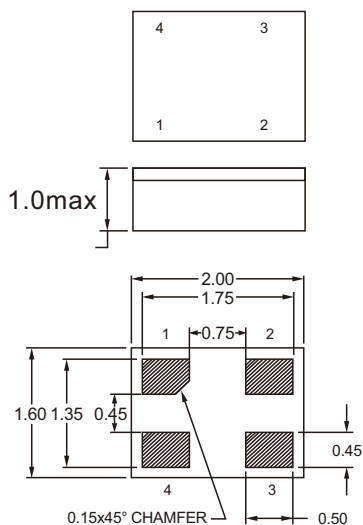
PRODUCT PHOTO



PRODUCT SPECIFICATIONS

Item			Minimum	Typical	Maximum	Unit
Frequency Range		$f_c$	154~1000MHz			MHz
Standard Frequency		$f_c$	303,315,390,433.92,435,72			MHz
Frequency Tolerance(at 25°C)		$\Delta f_c$	$\pm 50, \pm 75, \pm 150$ or specify			KHz
Insertion Loss (in 50ohm system, min)		IL	1.0,1.3,1.4, 1.5 or specify			dB
Temperature Stability	Turnover Temperature	$T_0$	25	40	55	°C
	Turnover Frequency	$f_0$		$f_c$		
	Frequency Temperature Coefficient	FTC		0.037		ppm/°C
Frequency Aging	Absolute Value during the First Year	$ f_A $		$\leq 10$		ppm/yr
DC Insulation Resistance between Any Two Pins			1.0			MΩ
Operating Temperature Range			-40~+85			°C
Storage Temperature Range			-40~+85			°C

PACKAGE OUTLINE / DIMENSIONS



Pin No.	Description
1	Input/ Output
3	Output/ Input
2,4	Ground

## X-ON Electronics

Largest Supplier of Electrical and Electronic Components

*Click to view similar products for [Resonators](#) category:*

*Click to view products by [HCI](#) manufacturer:*

Other Similar products are found below :

[B39431R820H210](#) [ECS-HFR-40.00-B-TR](#) [CSTLS4M00G53Z-A0](#) [ECS-HFR-20.00-B-TR](#) [CSTNE16M0V510000R0](#)  
[CSTNE14M7V510000R0](#) [CSTNE8M00GH5C060R0](#) [DJ2032K768C5T8188X01](#) [KZA20000](#) [KZA3580](#) [KZA107](#) [HCTB1-1.000-CRBHRL](#)  
[SF11S5-1582.400-F04IL02AL](#) [AWSZT-3.58CP-T4](#) [SF33M6-836.500-F25IL28AL](#) [HCTB1-460.000-CRBEL](#) [SF33M6-1960.000-F60IL25AL](#)  
[SRD11-315.000-F75IL22AL](#) [SR21S4-433.920-F75IL18AL](#) [SF11S5-915.000-F26IL02AL](#) [SF33M6-1575.420-F02IL40AL](#) [SR32M4-433.920-](#)  
[F75IL25AL](#) [SRTO39-316.800-F75IL13AL](#) [HCTB1-455.000-CRBEL](#) [KZA24000](#) [KZT6000](#) [KZA8000](#) [KZA169344](#) [KZT2350](#) [KZT169344](#)  
[KZT24000](#) [KF143392](#) [KZA4000](#) [KTOR423](#) [KUM20950](#) [KZB455E](#) [KZA16000](#) [KZT16000](#) [KZT4190](#) [KZA12000](#) [KZA3640](#) [KZT10000](#)  
[KD143392](#) [KZT20000](#) [KTO43392](#) [KZA2000](#) [KZA5000](#) [KZT3640](#) [KZT12000](#) [KZB460E](#)