

TCXO UNIT WITH HCMOS OUTPUT IN SMD 3.2x2.5mm CERAMIC SEAM SEAL PACKAGE.

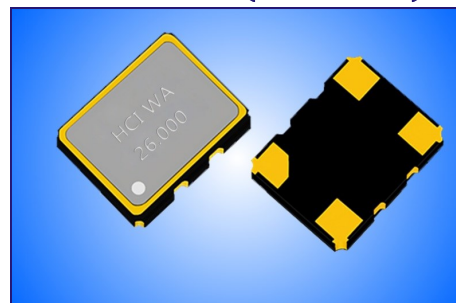
PRODUCT FEATURES

- Small dimensions 3.2x2.5x1.1 with 4 solder pads.
- Tight stabilities over temperature range.
- RoHS compliant, LEAD-FREE, HALOGEN-FREE and REACH compliant.

APPLICATIONS

- WiMAX / WLAN / Ethernet
- Telecommunication
- Mobil applications

PRODUCT PHOTO (NOT IN SCALE)

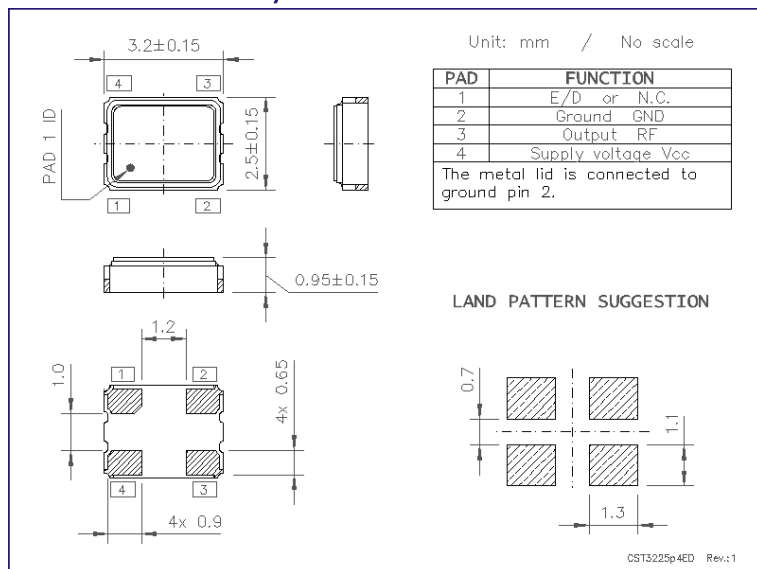


PRODUCT SPECIFICATIONS

PARAMETER	SUPPLY VOLTAGE			REMARKS
	1.8V	2.5V	3.3V	
Frequency range	9.5 ~ 60MHz			--
Frequency tolerance	±2.0ppm			Initial tol. @+25°C
Frequency stability	±2.5ppm	5.0ppm	±10ppm	See note below table
Operating temperature range	-40 to +85°C / -40 to +90°C / -40 to +105°C			In combination to above stabilities.
Aging per year	±1.0ppm			@+25°C
Output waveform and load	LVCMOS 15pF			--
Output voltage level HIGH	90%Vcc			Minimum
Output voltage level LOW	10%Vcc			Maximum
Rise and Fall times	8ns	8ns	8ns	@10~90% of Vcc
Symmetry (duty cycle)	45~55%			@ 50%Vcc
Phase noise (example 26MHz)	-110dBc/Hz / -130dBc/Hz / -145dBc/Hz			@100Hz / 1kHz / 10kHz
Phase jitter RMS	<1ps			12kHz≤Fj≤20MHz
Supply current	5mA	7mA	10mA	@15pF

Note: Frequency stability is the frequency deviation over temperature range in reference to +25°C

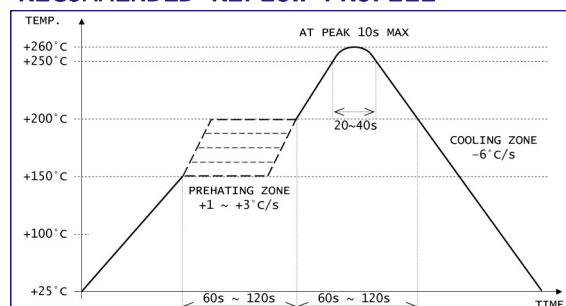
PACKAGE OUTLINE / DIMENSIONS



PACKAGING INFORMATION

- Tape & Reel compliant to EIA-481.
- Embossed carrier width 8mm.
- Component pitch in carrier 4mm.
- Reel diameter 180mm.
- QTY per reel: 3,000pcs

RECOMMENDED REFLOW PROFILE



X-ON Electronics

Largest Supplier of Electrical and Electronic Components

Click to view similar products for [TCXO Oscillators](#) category:

Click to view products by [HCI manufacturer](#):

Other Similar products are found below :

[FOX923CH-19.20M](#) [THD3031035LK280005-10.0M](#) [SIT5000ACC8E-33VQ-19.200000X](#) [SiT5001AI-2E-33N0-48.000000X](#) [TG2016SMN 38.4000M-ECGNNM3](#) [TG3225CEN 25.0000M-KFGNNAB](#) [TG2016SMN 38.4000M-MCGNNM3](#) [TG2016SMN 48.0000M-MCGNNM3](#) [TG2016SMN 19.2000M-ECGNNM3](#) [TG2016SMN 26.0000M-ECGNNM3](#) [SIT1566AC-JV-18E-32.768E](#) [AST3TDATAACJ5-10.0000MHz](#) [AST3TDATAACJ5-20.0000MHz](#) [AST3TDA53TACJ2-19.2000MHz](#) [AST3TDA53TACJ2-38.8800MHz](#) [AST3TDATAACJ5-19.2000MHz](#) [AST3TDATAACJ5-38.8800MHz](#) [ECS-TXO-2016MV-320-TR](#) [KT1612A26000AAW18TBL](#) [KT1612A26000AAW18NBL](#) [ECS-TXO-2016MV-200-TR](#) [TG-5006CG-12H 26.0000M0](#) [ECS-TXO-2016MV-250-TR](#) [TG2520SMN 38.4000M-MCGNNM3](#) [ECS-TXO-2016MV-400-TR](#) [ECS-TXO-2016MV-500-TR](#) [ECS-TXO-2016MV-120-TR](#) [KT7050A10000KAW33TAD](#) [LFTCXO063716BULK](#) [LFTCXO073004REEL](#) [7Z-26.000MDG-T](#) [7Z-26.000MBG-T](#) [LFTCXO075792](#) [SIT5356AI-FQ-33E0-10.000000X](#) [SIT5356AI-FQ-33E0-25.000000X](#) [SIT5356AI-FQ-33VT-10.000000X](#) [SIT5356AI-FQ-33VT-20.000000X](#) [SIT5357AI-FQ-33N0-100.000000X](#) [ECS-TXO-2520-33-120-AN-TR](#) [LFPTXO000009Bulk](#) [LFPTXO000316Bulk](#) [SiT5000AICGE-33E0-25.000000X](#) [SiT1568AI-JE-DCC-32.768E](#) [LFPTXO000295Bulk](#) [AST3TQ-T-25.000MHz-28](#) [SiT1552AC-JE-DCC-32.768D](#) [LFPTXO000068Bulk](#) [AST3TQ-V-30.720MHz-28](#) [LFPTXO000244Bulk](#) [LFPTXO006980Bulk](#)