

**NOTE:**

- MATERIAL SPECIFICATION:**
  - HOUSING: HIGH TEMPERATURE RESISTANT PLASTIC, UL94 V-0.
  - CONTACTS: COPPER ALLOY
  - MID PLATE: STAINLESS STEEL
  - FRONT SHELL: STAINLESS STEEL
  - EMI PLATE: STAINLESS STEEL
- PLATING SPECIFICATION:**
  - CONTACTS:
    - Ni 50u" MIN. UNDER PLATED OVER ALL.
    - Au PLATED ON THE FUNCTIONAL AREA OF CONTACT. (GOLD PLATING THICKNESS FOLLOW THE P/N)
    - PLATING SPECIFICATIONS OF THE SOLDER AREA FOLLOW THE P/N
  - FRONT SHELL:
    - PLATING SPECIFICATIONS FOLLOW THE P/N
  - MID PLATE & EMI PLATE:
    - CLEAR ONLY
- MECHANICAL PERFORMANCE,**
  - INSERTION FORCE: 0.5~2.0kgf.
  - REMOVAL FORCE: 0.8kgf~2.0kgf.
  - DURABILITY: 10000 CYCLES.
- ELECTRICAL PERFORMANCE,**
  - CURRENT RATING: 5.0A  
VOLTAGE RATING: 5.0V
  - LLCR:
    - VBUS & GND PINS AND OTHER PINS: 40mΩ/PIN MAX.
    - SHIELD: 50mΩ/MAX.
    - LLCR MAX. CHANGE OF ALL PINS: 10mΩ.
  - INSULATION RESISTANCE: 100MΩ MIN
  - DIELECTRIC WITHSTAND VOLTAGE, AC 100V FOR 1 MINUTE.
- ENVIRONMENTAL PERFORMANCE:**
  - OPERATING TEMPERATURE: -25°C~+85°C.
- IR REFLOW:**
  - THE PEAK TEMPERATURE ON THE BOARD SHALL BE MAINTAINED FOR 10 SECONDS AT 260°C.

SECTION B-B  
SCALE 1:1

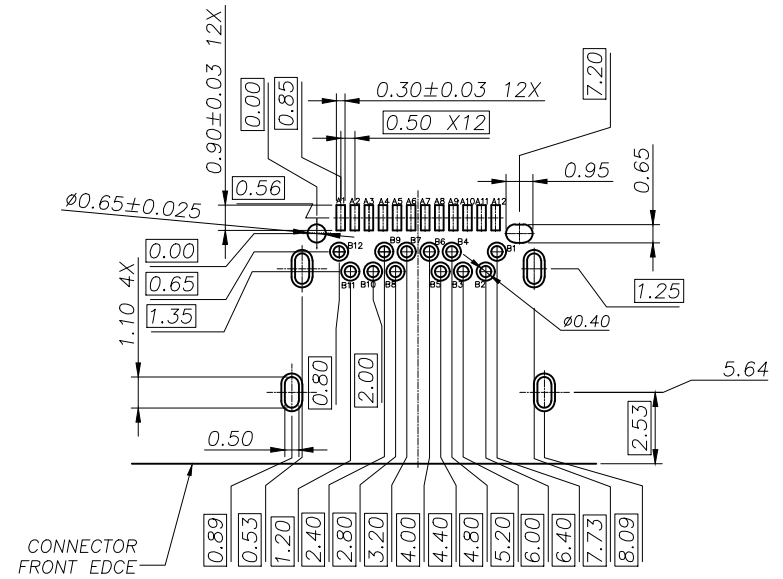
			GENERAL TOLERANCE	制图 DRAWING	深圳市华灿天禄电子有限公司 ShenzhenhuacantianluELECTRONICS CO., LTD			
			DIM TOL	审核 CHECK				
			X.X ±0.30	批准 APPROVAL	产品名称 TITLE	TYPE C F 24P DIP+SMT WITH SPRING &POST (前插后贴有缺口)	版本 REV.	A
1	初版发行		X.XX ±0.20	比例 SCALE	产品料号 PART NO.	HC005-1A1H1A103-0HR	单位 UNITS	mm
序号 No.	变更内容 MODIFY CONTENT	日期 MODIFY DATE	X.XXX ±0.10	投影 Projection	材料 MATERIAL		页次 SHEET	1/3
			Angle ±3.0°					

TABLE 1

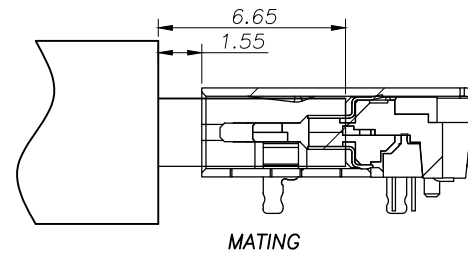
ITEM	DIM"A"	DIM"B"	DIM"C"	HOUSING CLOER	PLATING	
					MATING AREA	SOLDER AREA
1	1.30	1.20	1.96	BALCK	Au:3u"	Au:G/F
2	1.55	1.45	2.36			
3	1.30	1.20	1.96	BALCK	Au:15u"	Au:G/F
4	1.30	1.20	1.96	NATURAL	Au:3u"	Au:G/F
5	1.30	1.20	1.96	BALCK	Au:30u"	Au:G/F
6	1.55	1.45	2.36			
7	0.90	0.80	2.36			

USB TYPE-C PIN ASSIGNMENTS

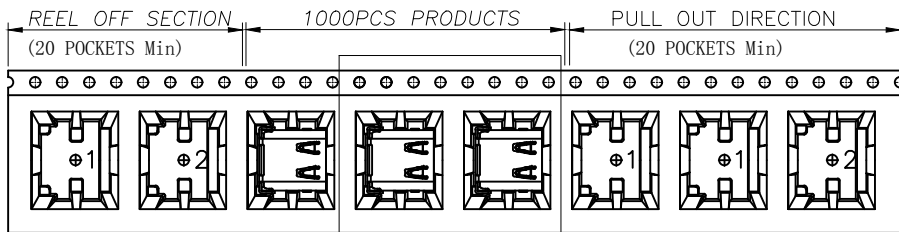
PIN NUMBER	SIGNAL NAME	PIN NUMBER	SIGNAL NAME
A1	GND	B12	GND
A2	SSTXp1+	B11	SSRXp1+
A3	SSTXn1-	B10	SSRXn1-
A4	Vbus	B9	Vbus
A5	CC1	B8	SBU2
A6	Dp1	B7	Dn2
A7	Dn1	B6	Dp2
A8	SBU1	B5	CC2
A9	Vbus	B4	Vbus
A10	SSRXn2-	B3	SSTXn2-
A11	SSRXp2+	B2	SSTXp2+
A12	GND	B1	GND



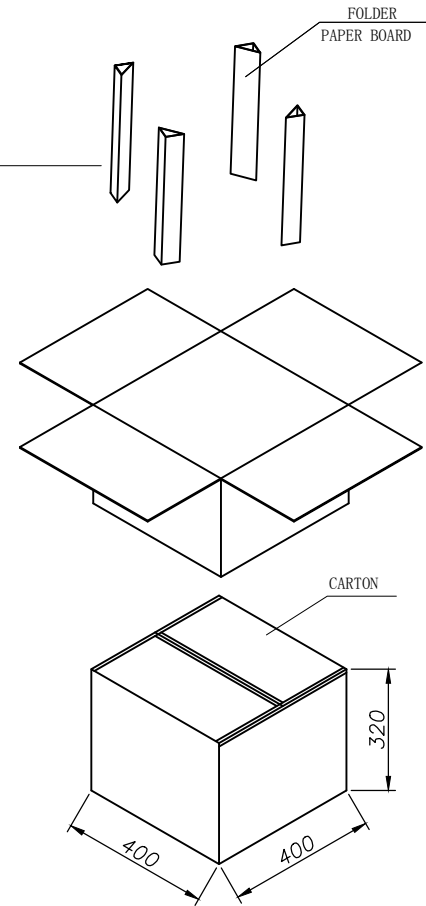
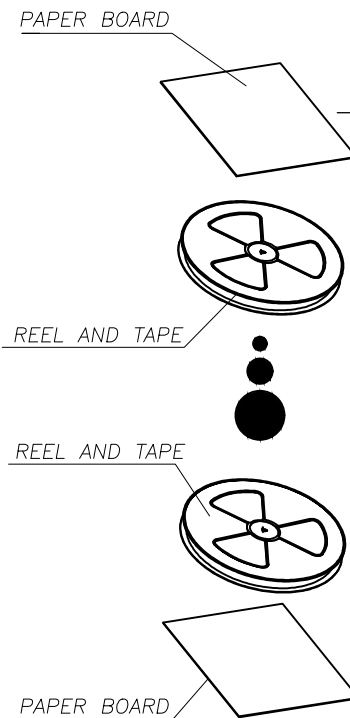
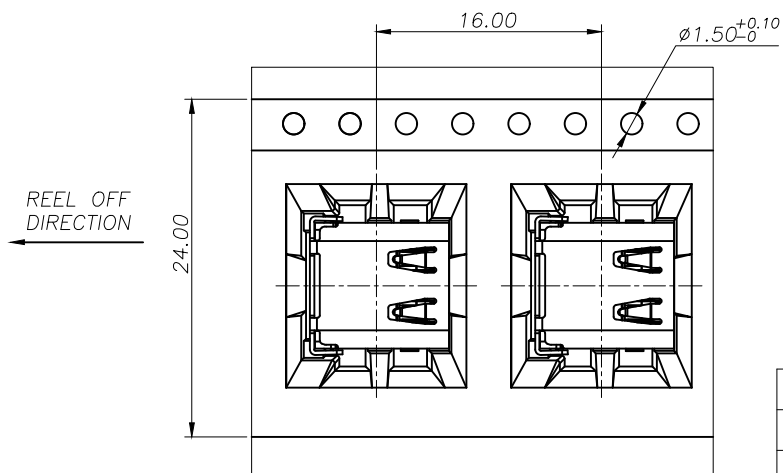
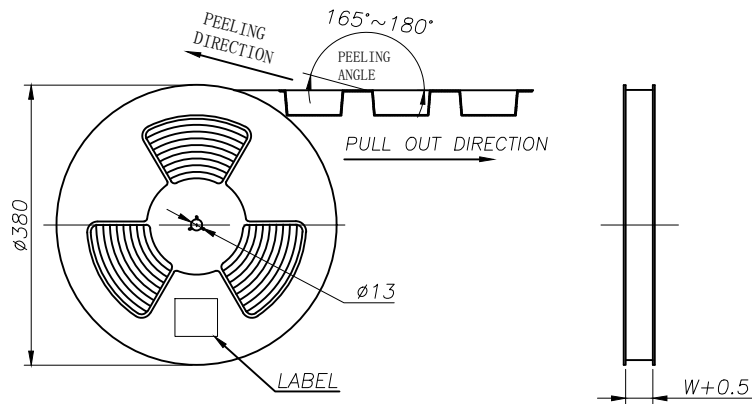
RECOMMENDED P.C.B. LAYOUT (T=1.00mm)  
TOLERANCE UNSPECIFIED ±0.05mm



			GENERAL TOLERANCE	制图 DRAWING	深圳市华灿天禄电子有限公司 ShenzhenhuacantianluELECTRONICS CO., LTD			
			DIM TOL	审核 CHECK				
			X.X ±0.30	批准 APPROVAL	产品名称 TITLE	TYPE C F 24PIN DIP+SMT WITH SPRING &POST (前插后贴有缺口)	版本 REV.	A
1	初版发行		X.XX ±0.20	比例 SCALE	产品料号 PART NO.	HCO05-1A1H1A103-0HR	单位 UNITS	mm
序号 No.	变更内容 MODIFY CONTENT	日期 MODIFY DATE	X.XXX ±0.10	投影 Projection	材料 MATERIAL		页次 SHEET	2/3
			Angle ±3.0°					



SEE DETAIL X



	REEL/TRAY	CARTON
CONNECTOR (PCS)	1000	10000

			GENERAL TOLERANCE	制图 DRAWING	深圳市华灿天禄电子有限公司 ShenzhenhuaciantianluELECTRONICS CO., LTD			
			DIM TOL	审核 CHECK	产品名称 TITLE	TYPE C F 24PIN DIP+SMT (包装图) WITH SPRING &POST (前插后贴有缺口)	版本 REV.	A
1	初版发行		X.X ±0.30	批准 APPROVAL	产品料号 PART NO.	HCO05-1A1H1A103-0HR	单位 UNITS	mm
序号 No.	变更内容 MODIFY CONTENT	日期 MODIFY DATE	X.XXX ±0.10	投影 Projection	材料 MATERIAL		页次 SHEET	3/3
			Angle ±3.0°					

## X-ON Electronics

Largest Supplier of Electrical and Electronic Components

*Click to view similar products for [USB Connectors](#) category:*

*Click to view products by [HCTL](#) manufacturer:*

Other Similar products are found below :

[950](#) [A-USB B-TOP-C](#) [MUSBA511N5](#) [MUSBC111M5](#) [MUSBD11135](#) [17-200721](#) [217450-1](#) [KMBVX-TH-5S-B30](#) [896-30-004-00-000000](#)  
[KUSBX-AS2N-W](#) [KUSBX-SMT2AP1S-W30](#) [935](#) [957](#) [30-498-6](#) [SK-60A-2](#) [1734082-1](#) [30-1574](#) [30-470](#) [30-489](#) [30-541](#) [A-USB A-2P-C](#)  
[MIKROE-1451](#) [USBFTV2PEM2G](#) [USBFTVSCCG](#) [4689-1](#) [1-1734084-2](#) [MUSBC11135](#) [USBF21ZNSCC](#) [USBBFTV6ZC](#) [MUSBB151341](#)  
[10135326-001LF](#) [M9177/3-1](#) [TJ-105](#) [USB-A-S-F-B-VT](#) [4198](#) [690-024-633-031](#) [UB-20PMFP-LC7001](#) [USBFTVC6MRG](#) [UA-20BMFA-](#)  
[SL8001](#) [17-200011](#) [USBFTVC7ZC](#) [UB-20AFMM-LL7A01](#) [USBFTVC2MN](#) [CAP-WCCMLPB1](#) [1310-1031-01](#) [2041386-1](#) [2274475-3](#) [UB-](#)  
[20BMFA-SL8001](#) [UB-20PMFP-SC8003](#) [914-614A2025S10200](#)