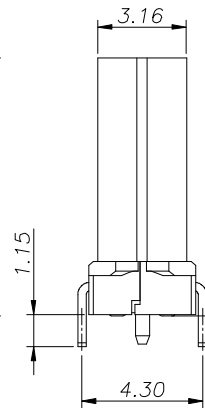
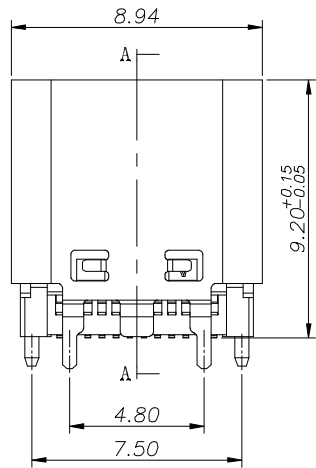
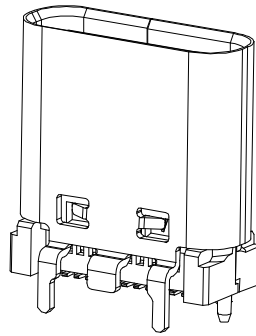
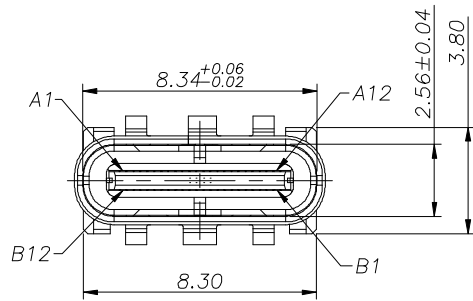
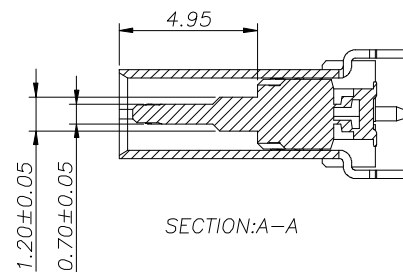
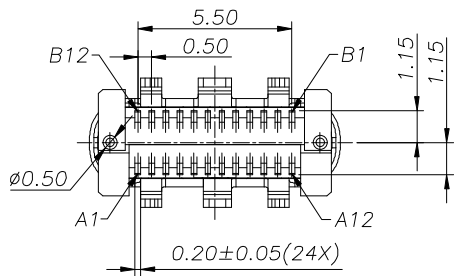
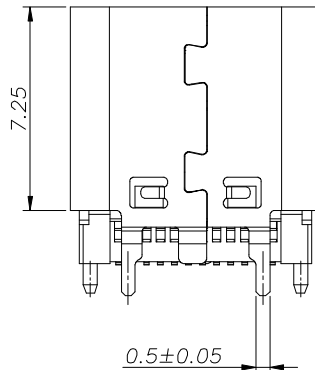


申明:凡是有品料或有“PRELIMINARY”示的品均 面不能生 /DECLARATION: ALL PRODUCT DRAWINGS WITHOUT THE PART NUMBER OR WITH "PRELIMINARY" LABEL ARE TEMPORARY DRAWINGS CAN NOT BE PRODUCED

REV.	ECN NO.	DESCRIPTION	DATE	DESIGN
04	ECN NO.	UPDATE THE DRAWING	2020.06.19	SYJ
05	ECN NO.	UPDATE THE DRAWING	2020.09.29	SYJ



0.10
ALL CONTACTS



NOTE:

1.MATERIAL SPECIFICATION:

- 1.HOUSING:HIGH TEMPERATURE RESISTANT PLASTIC,UL94 V-0
- 2.TERMINAL: COPPER ALLOY(C1814)
- 3.MID PLATE: STAINLESS STEEL(SUS301)
- 4.FRONT SHELL: STAINLESS STEEL(SUS304)
- 5.EMI PLATE: STAINLESS STEEL(SUS304)

2.PLATING SPECIFICATION:

2-1.TERMINAL:

- Ni 50u" MIN. UNDER PLATED OVER ALL.
- Au PLATED ON THE FUNCTIONAL AREA OF CONTACT.
- (GOLD PLATING THICKNESS FOLLOW THE P/N)
- PLATING SPECIFICATIONS OF THE SOLDER AREA FOLLOW THE P/N

2-2.FRONT SHELL:

- PLATING SPECIFICATIONS FOLLOW THE P/N

2-3.MID PLATE&EMI PLATE:

- CLEAR ONLY

3.MECHANICAL PERFORMANCE,

- 3-1.INSERTION FORCE: 0.5~2.0kgf.
- 3-2.REMOVAL FORCE: 0.8kgf~2.0kgf.
- 3-3.DURABILITY: 10000 CYCLES.

4.ELECTRICAL PERFORMANCE,

- 4-1. VOLTAGE RATING:5 V DC/AC (RMS. max)
CURRENT RATING:5 AMPS. FOR TOTAL VBUS/GND PINS;
1.25AMPS FOR CC PIN,0.25 AMPS. FOR ALL OTHER CONTACT.
- 4-2. LLCR:
VBUS & GND PINS AND OTHER PINS: 40mΩ/PIN MAX.
SHIELD: 50mΩ/MAX.
LLCR MAX. CHANGE OF ALL PINS: 10mΩ.
- 4-3.INSULATION RESISTANCE: 100MΩ MIN
- 4-4.DIELECTRIC WITHSTAND VOLTAGE,AC 100V FOR 1 MINUTE.

5. ENVIRONMENTAL PERFORMANCE:

- OPERATING TEMPERATURE: -25°C~+85°C.

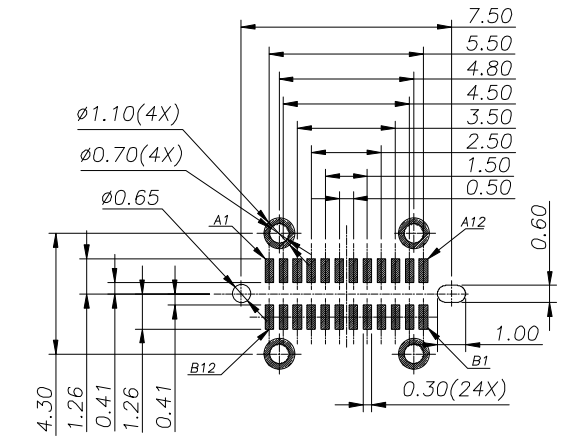
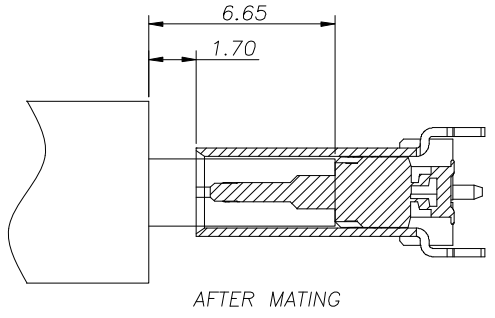
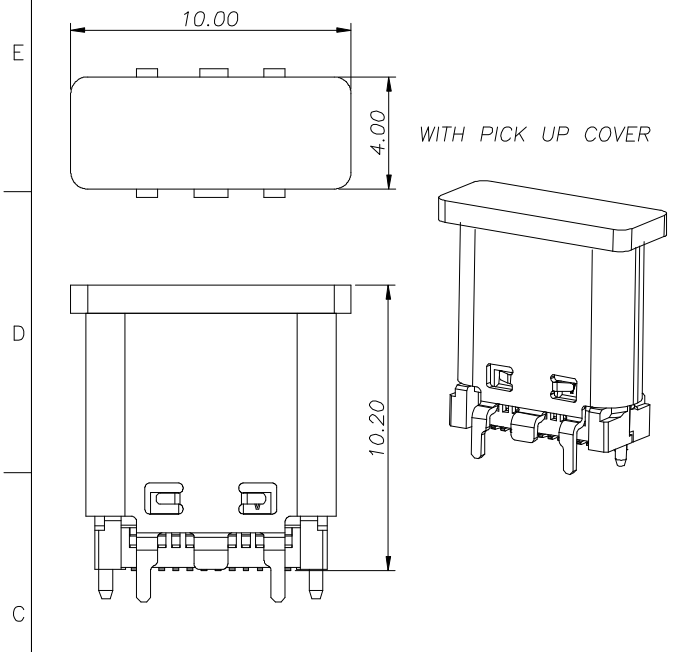
6.IR REFLOW:

- THE PEAK TEMPERATURE ON THE BOARD SHALL BE MAINTAINED FOR 10 SECONDS AT 260°C.

TOLERANCE		NAME(INTENDED USE) CUSTOMER DRAWING	深圳市华灿天禄电子有限公司		
X.X ±0.30	X.* ±10°	PART NO.	TITLE: USB CF VERTICAL(L=9.2)		
.XX ±0.20	.X* ± 8°	DESIGN: SYJ	DRAWG NO. HC-014-3E1H1A003-0HR		
.XXX ±0.10	.XX* ± 5°	CHED:	SCALE	SHEET	REV.
UNITS	mm	APPD:	1:1	1/3	05
MATERILA					
FINISH					

申明:凡是有品料或有“PRELIMINARY”示的品均面不能生 /DECLARATION: ALL PRODUCT DRAWINGS WITHOUT THE PART NUMBER OR WITH "PRELIMINARY" LABEL ARE TEMPORARY DRAWINGS CAN NOT BE PRODUCED

REV.	ECN NO.	DESCRIPTION	DATE	DESIGN
04	ECN NO.	UPDATE THE DRAWING	2020.06.19	SYJ
05	ECN NO.	UPDATE THE DRAWING	2020.09.29	SYJ



RECOMMENDED PCB LAYOUT(TOP VIEW)
THICKNESS 1.0±0.10MM;DEFAULT TOLERANCE:±0.05

USB TYPE-C PIN ASSIGNMENTS

PIN NUMBER	SIGNAL NAME	PIN NUMBER	SIGNAL NAME
A1	GND	B12	GND
A2	SSTXp1	B11	SSRXp1
A3	SSTXn1	B10	SSRXn1
A4	Vbus	B9	Vbus
A5	CC1	B8	SBU2
A6	Dp1	B7	Dn2
A7	Dn1	B6	Dp2
A8	SBU1	B5	CC2
A9	Vbus	B4	Vbus
A10	SSRXn2	B3	SSTXn2
A11	SSRXp2	B2	SSTXp2
A12	GND	B1	GND

- P/N: ACF014-3X1H1A103-0HR
- HOUSING MATERIAL
 - A: LCP
 - E: PA9T
 - HOUSING COLOR
 - 1: BLACK
 - 2: WHITE
 - 5: NATURE
 - SHELL MATERIAL
 - H:SUS304
 - SHELL PLATING
 - 1: Ni
 - 2: MATT-Sn
 - 3: BRIGHT-Sn
 - 4: SELECTIVE-Au 1u"
 - CONTACT FUNCTIONAL AREA PLATED
 - 01: Au 1u"
 - 03: Au 3u"
 - 15: Au 15u"
 - 30: Au 30u"
 - CONTACT SOLDER AREA PLATED
 - 0: Sn
 - 1: Au 1u"
 - CONTACT MATERIAL
 - A: C1814
 - K: C7025

TOLERANCE		NAME(INTENDED USE) CUSTOMER DRAWING	深圳市华灿天禄电子有限公司	
X.X ±0.30	X.* ±10°	PART NO.	TITLE: USB CF VERTICAL(L=9.2)	
.XX ±0.20	.X* ± 8°	DESIGN: SYJ	DRAWG NO. HC-014-3E1H1A003-0HR	
.XXX ±0.10	.XX* ± 5°	CHED:	SCALE SHEET REV.	
UNITS mm		APPD:	1:1	2/3 05
MATERILA				
FINISH				

X-ON Electronics

Largest Supplier of Electrical and Electronic Components

Click to view similar products for [USB Connectors](#) category:

Click to view products by [HCTL](#) manufacturer:

Other Similar products are found below :

[950](#) [A-USB A-LP-SMT-C](#) [A-USB B-TOP-C](#) [MUSBD11135](#) [17-200721](#) [217450-1](#) [KMBVX-TH-5S-B30](#) [KUSBX-AS2N-W](#) [KUSBX-SMT2AP1S-W30](#) [935](#) [957](#) [30-498-6](#) [SK-60A-2](#) [1734082-1](#) [30-470](#) [30-489](#) [30-541](#) [MAB 5 S](#) [A-USB A-2P-C](#) [MIKROE-1451](#)
[USBFTVSCCG](#) [1-1734084-2](#) [MUSBA81130](#) [NK-27-32SL](#) [NK-L8-22C-5/8](#) [10135326-001LF](#) [4198](#) [690-024-633-031](#) [UB-20PMFP-LC7001](#)
[17-200011](#) [UB-20AFMM-LL7A01](#) [CAP-WCCMLPB1](#) [CAP-WCCMLPC1](#) [2274475-3](#) [914-614A2025S10200](#) [USB3FTV7SAGF059](#)
[USB3FTV2SAZNF459](#) [USB3FTV7SAZNF459](#) [HYCW153-USBD05-500B](#) [HYCW219-USBD05-075B](#) [HYCW148-USBD05-117B](#)
[HYCW149-USBD05-740B](#) [HYCW204-USBD05-108B](#) [HYCW214-USBA04-113B](#) [HYCW213-USBA04-113B](#) [KMMX-BSMT35S-1-B30TR](#)
[2345986-1](#) [10082141-N340LF](#) [10117836-011LF](#) [GSB3C3133DSYHR](#)