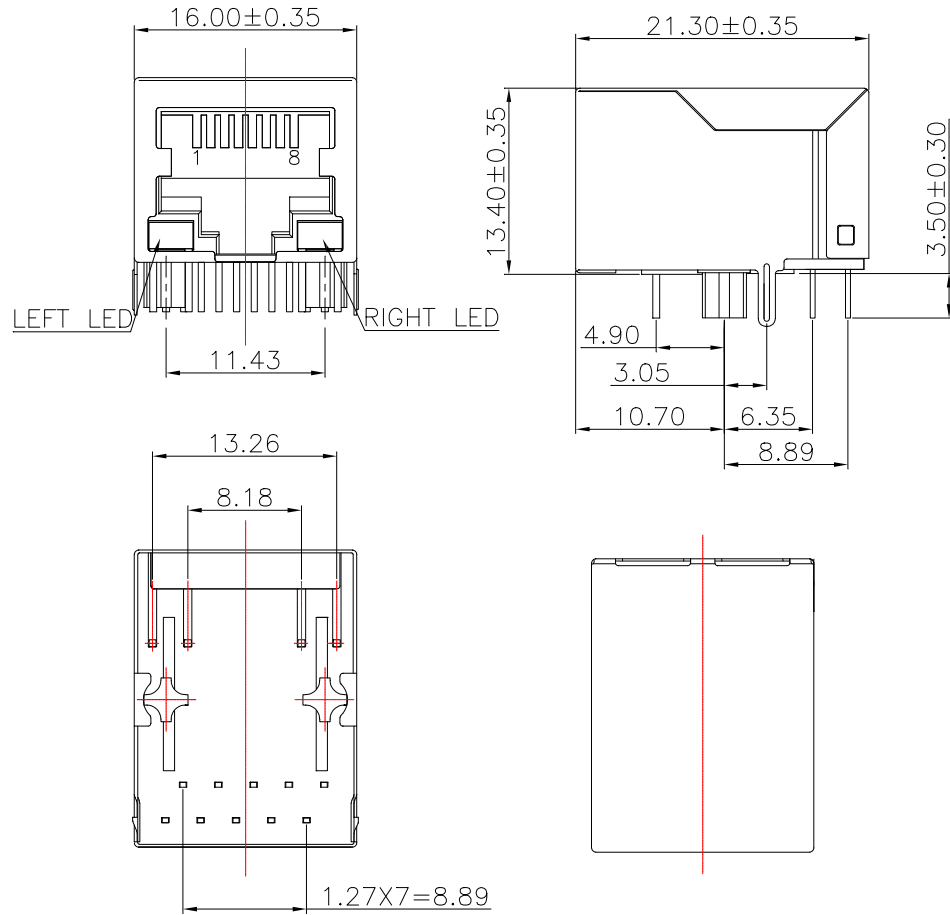


RoHS Mechanicals:

REV.	ECN NO.	LOCATIONS	DESCRIPTION	DATE	DESIGN
A		N/A	New Design	2022.4.25	Jerry Li

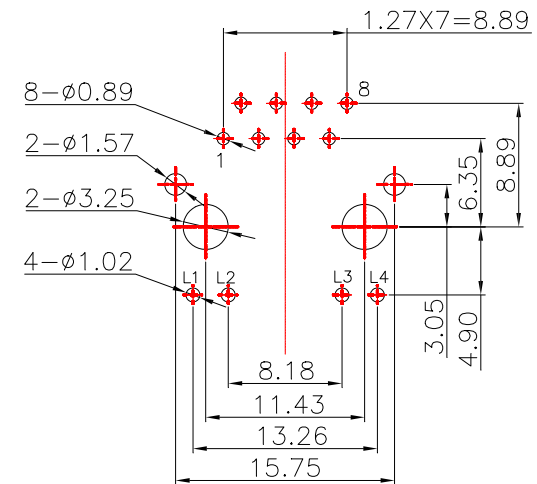


1. Material:

- 1.1 Housing: PBT UL94V-0 Black.
- 1.2 Contact :Phosphor Bronze,Gold plated on contact area 6u".
- 1.3 Input Terminal : Brass.
- 1.4 Metal shielding:Copper alloy with Nickel plated.

2.Environmental requirements:

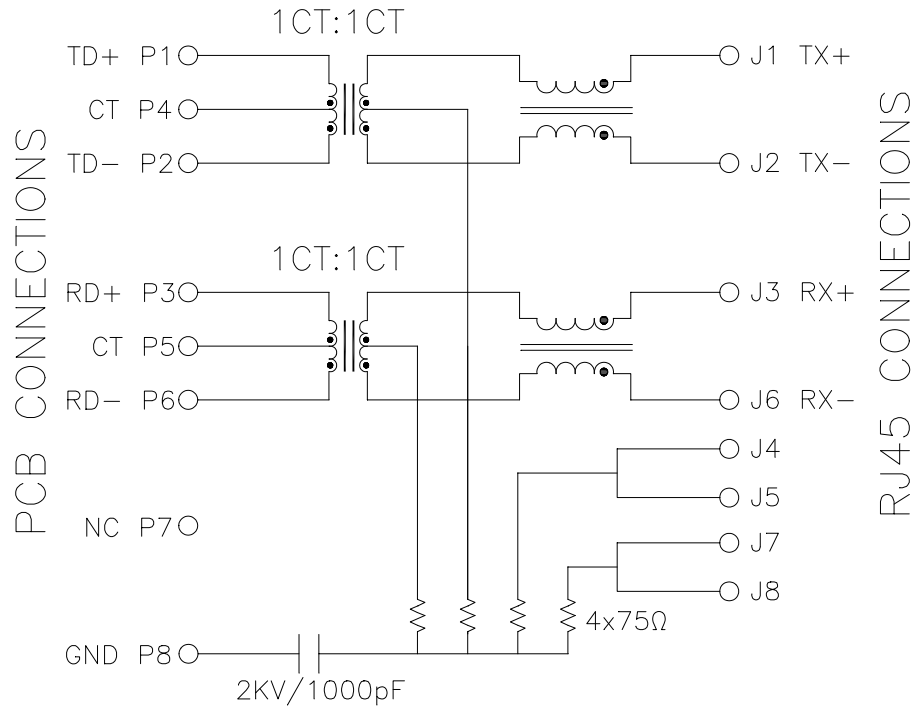
- 2.1 Lead-free process,compliant RoHS.



Recommended PCB Layout
(Tolerance:±0.05)

 UNIT: mm [inch] TOLERANCE: Unless Otherwise Specification All Tolerance Are ±0.25mm SCALE:1:1 SIZE:A4	深圳市华灿天禄电子有限公司	
	DESIGN: Jerry Li	PART NAME: RJ45 1x1 Dip Tab Base 10/100 Base With 1.27 6u" NS
	CHECKED: Jerry Li	PART NO. HC913550AE-M900-A
	APPROVED: J Mou	DRAW NO. SLW-M900-A
	SHEET NO. 01 OF 02	

REV.	ECN NO.	LOCATIONS	DESCRIPTION	DATE	DESIGN
A		N/A	New Design	2022.4.25	Jerry Li



- 3. Electrical Specification @25°C:
 - 3.1 Inductance: 350uH Min With 8mA DC bias.
 - 3.2 Insertion loss :
 - 1-100MHZ -1dB max.
 - 3.3 Return loss :
 - 1-30MHZ -18dB min.
 - 30-60MHZ -16dB min.
 - 60-80MHZ -12dB min.
 - 3.4 Common Mode Rejection: 1-100MHZ -30dB min.
 - 3.5 Cross Talk: 1-100MHZ -30dB min.
- 4. Operating and Storage Temperature:
 - 4.1 Operating Temperature : -40°C to +85°C.
 - 4.2 Storage Temperature : -40°C to +85°C.
- 5. Wave soldering peak temperature: 260°C.



Emitting Color	λ_p (nm)	$V_f @ I_f = 20mA$
Green	565	1.8-2.5V
YELLOW	585	1.8-2.5V

 UNIT: mm [inch] TOLERANCE: Unless Otherwise Specification All Tolerance Are ±0.25mm SCALE:1:1 SIZE:A4	深圳市华灿天禄电子有限公司	
	DESIGN: Jerry Li	PART NAME: RJ45 1x1 Dip Tab Down 10/100 Base #1ch LED Sn ⁺ S
	CHECKED: Jerry Li	PART NO. HC913550AE-M900-A
	APPROVED: J Mou	DRAW NO. SLW-M900-A
	SHEET NO. 02 OF 02	

X-ON Electronics

Largest Supplier of Electrical and Electronic Components

Click to view similar products for [Modular Connectors](#) / [Ethernet Connectors](#) category:

Click to view products by [HCTL](#) manufacturer:

Other Similar products are found below :

[8949-H88/06BLKA/SN](#) [74441-0010/BKN](#) [PHP-6P6C-5](#) [GAX-3-66](#) [GAX-8-62](#) [GDCX-PN-66](#) [GLX-A-44](#) [GLX-N-1010M-BLK](#) [GMX-SMT4-N-88](#) [GSGX-N-2-88](#) [GSGX-N-4-88](#) [GSX-NS2-88-3.05](#) [GSX-NS-88-3.68](#) [PT-108A-8C-UL](#) [PTS-J531-8CS-50UL](#) [A-2014-0-4](#) [GWLX-S9-88-YG](#) [DC-1021-8-WH-6](#) [1300530003](#) [1324640-4](#) [RJ11FTVC2G](#) [RJ11FTVC2N](#) [RJFTVX2SA1G](#) [132764-001](#) [1413235](#) [MPS88RX-5000](#) [E5288-S000K3-L](#) [155302-001](#) [AX101050](#) [AX101063](#) [AX101065](#) [AX101072](#) [AX101307](#) [AX101315](#) [AX101318](#) [AX102271](#) [AX102282](#) [AX102288](#) [AX102651](#) [AX102660](#) [AX103259](#) [AX104024](#) [J0012D21NL](#) [J0026D01ENL](#) [PC4D0018P](#) [8949-B88/6](#) [2-6609208-5](#) [937-SP-3088-2PC-A192](#) [303066VFL](#) [303068V](#)