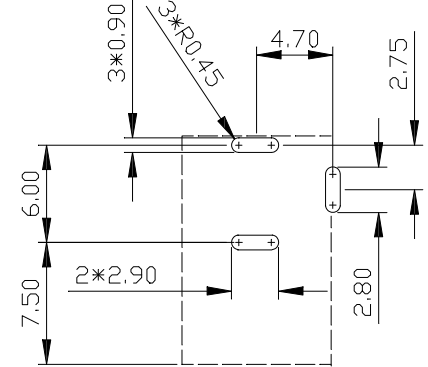
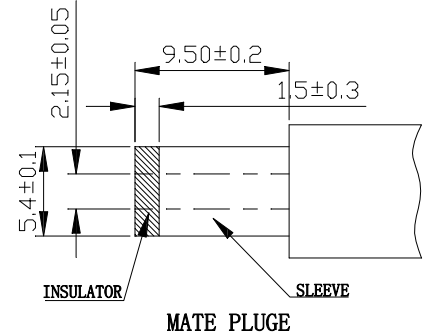
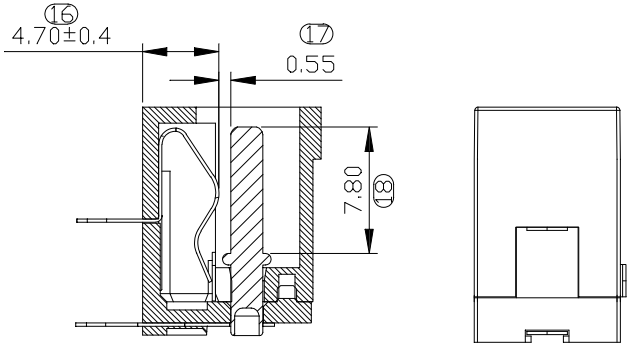
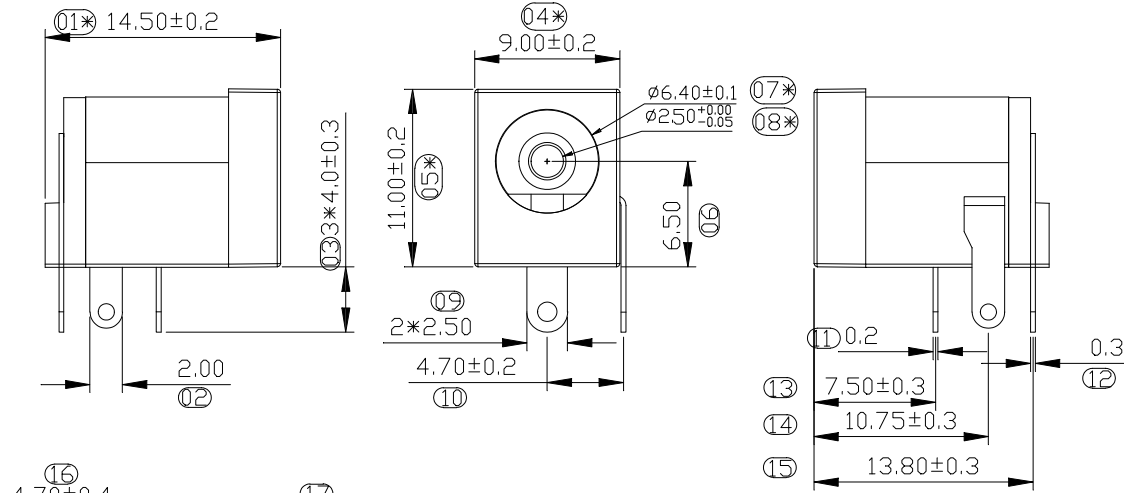
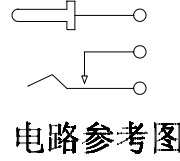


RoHS 2.0

REV.	ECN NO.	DESCRIPTION	DATE	DESIGN



RECOMMENDED PCB LAYOUT  
TOP VIEW(TOL:±0.05)



NOTES:

- MATERIAL:
  - HOUSING: PBT ,COLOR IS BLACK,UL94V-0;
  - CONTACT: BRASS ;
- FINISH: PLATED OVER NI&SN;
- RECINNEBDED PCB THICKNESS: 1.60mm MIN;
- ELECTRICAL:
  - VOLTAGE RATING: 30V DC ;
  - CURRENT RATING: 2A ;
  - CONTACT RESISTANCE: 35MILLIOHMS MAX.;
  - WITHSTAND VOLTAGE: 500 VAC RMS 50(60)Hz,1MIN.;
  - INSULATION RESISTANCE: 100MEGOHMS MIN @500V DC;
- MECHANICAL:
  - MATING FORCE: 25N MAX.;
  - UNMATING FORCE:3~25N ;
  - OPERATING LIFE: 5000 CYCLES MIN.;
- SALT SPRAY TEST: 24H;
- SOLDERABILITY: 245±5°C,5±0.5S;
- RESISTANCE TO SOLDER: 260±0.5°C,10±1S;
- ENVIRONMENTAL:
  - STORAGE TEMPERATURE RANGE: -40°C~+85°C;
  - OPERATION TEMPERATURE RANGE: -25°C~+70°C;
- THE MARK WITH "\*" IS THE KEY INSPECTION DIMENSION FOR QC.

E	芯针	黄铜H65	镀镍锡	
D	PIN脚	黄铜H65	镀镍锡	
C	弹片	不锈钢 SUS304	镀镍锡	
B	后塞	PBT	黑色	
A	底座	PBT	黑色	
序号	品名	材质	电镀/颜色	备注

**深圳市华灿天禄电子有限公司**

UNLESS OTHERWISE, GENERAL TOLERANCE: X.xxx ±0.10 X.xx ±0.20 X.x ±0.30	NAME:	DC-005(φ2.5铜芯)		P/N: HC-DC-005-2.5M	
	THIRD ANGLE PROJECTION	UNIT:	SCALE:	SIZE:	SHEET: REV.:
ANGULAR: X.xx° ±1° X.x° ±3° X.° ±5°		mm	1:1	A4	1/1 AO
DRAWN: Lihui	CHECKED: Yangguangrong	APPROVED Tangguanlin			

## X-ON Electronics

Largest Supplier of Electrical and Electronic Components

*Click to view similar products for [DC Power Connectors](#) category:*

*Click to view products by [HCTL](#) manufacturer:*

Other Similar products are found below :

[1600206-1](#) [163-0308-EX](#) [163-4012-EX](#) [163-4117-EX](#) [171-0721-EX](#) [KLDX-SMT-0202-BPTR](#) [163-1000-EX](#) [163-4007-EX](#) [163-4015-EX](#)  
[171-0722-E](#) [171-7391](#) [K596](#) [KLD-0201-BC](#) [KPPX-D](#) [4C6831AX](#) [TS3PNJ](#) [E16550-0008](#) [DC PLUG-P1J-P1MR](#) [DC PLUG-P1M-P1MR](#)  
[DC-005-D020](#) [HC-DC-005-2.5M](#) [KH-DC-044-2.5](#) [DC-005H-D020](#) [DC-005H-D025](#) [09441 AS120-F](#) [09442 AS120-M](#) [09759](#) [09760](#)  
[CP30240](#) [TAMIYA-M](#) [TAMIYA-MT1](#) [TAMIYA-MT2](#) [4840.1200](#) [4840.2202](#) [C5080HI-04P-18 + C5080HI-C](#) [JC-135](#) [JC-210](#) [JC-214](#) [JPO-](#)  
[25 \(FC6814\)](#) [JYO-26 \(FC6811\)](#) [JYO-29 \(FC68102\)](#) [KLB 3](#) [KLBM 3](#) [KLBPS 3](#) [KLBR 4](#) [KLS 10 SCHWARZ](#) [KPJXHT-4S](#) [DC-10A](#)  
[FC68148](#) [DC-10B \(FC68149\)](#) [WKLS 2](#)