

Note:

1.Material

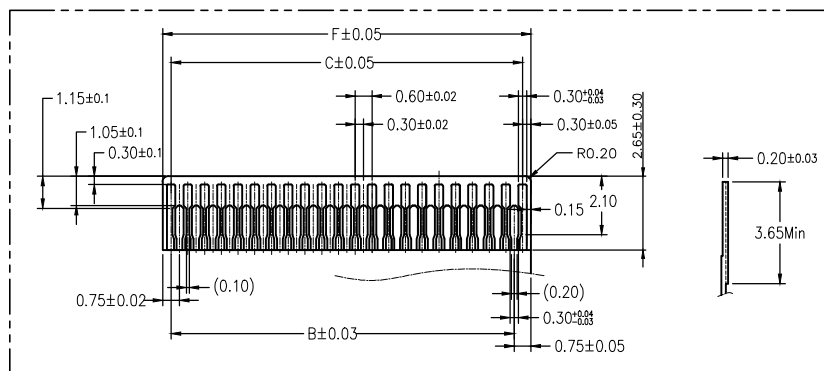
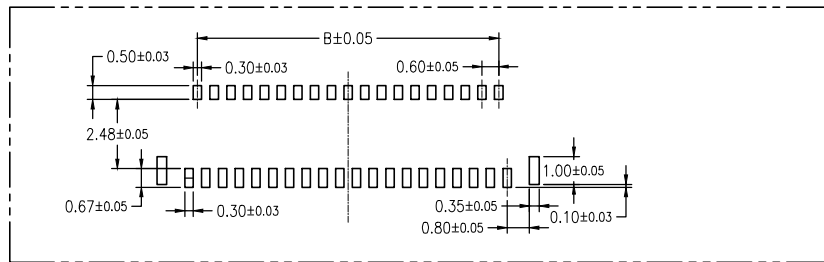
- 1.1: Housing: LCP UL94-V0 Color:Black or White
- 1.2: Actuator: LCP UL94-V0 Color:Black.
- 1.3: Contact: Phosphor Bronze.
- 1.4: LEG: Phosphor Bronze.

2.Plating

- 2.1: Contact: See Part Number.
- 2.2: LEG: Matte Tin Plating Over Nickel.

3.Rating:

- 3.1: Operating Voltage: 30V AC/DC.
- 3.2: Current Rating: 0.2A AC/DC.
- 3.3: Operating Temperature: -55°C~+85°C.

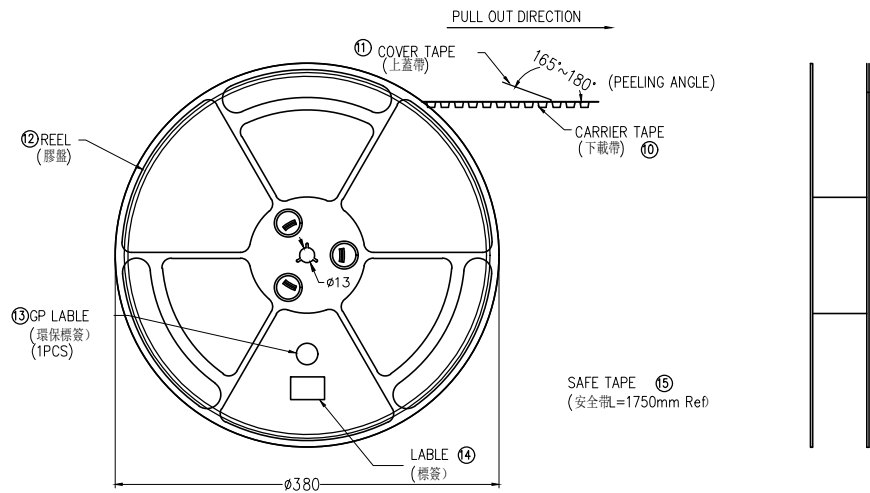


Number of Contacts	Part NO.	Dimensions mm					
		A	B	C	D	E	F
9	HC-FPC-03-09-9RLTAG	4.90	1.80	2.40	3.03	4.35	3.00
11	HC-FPC-03-09-11RLTAG	5.50	2.40	3.00	3.63	4.95	3.60
13	HC-FPC-03-09-13RLTAG	6.10	3.00	3.60	4.23	5.55	4.20
15	HC-FPC-03-09-15RLTAG	6.70	3.60	4.20	4.83	6.15	4.80
17	HC-FPC-03-09-17RLTAG	7.30	4.20	4.80	5.43	6.75	5.40
19	HC-FPC-03-09-19RLTAG	7.90	4.80	5.40	6.03	7.35	6.00
21	HC-FPC-03-09-21RLTAG	8.50	5.40	6.00	6.63	7.95	6.60
23	HC-FPC-03-09-23RLTAG	9.10	6.00	6.60	7.23	8.55	7.20
25	HC-FPC-03-09-25RLTAG	9.70	6.60	7.20	7.83	9.15	7.80
27	HC-FPC-03-09-27RLTAG	10.30	7.20	7.80	8.43	9.75	8.40
29	HC-FPC-03-09-29RLTAG	10.90	7.80	8.40	9.03	10.35	9.00
31	HC-FPC-03-09-31RLTAG	11.50	8.40	9.00	9.63	10.95	9.60
33	HC-FPC-03-09-33RLTAG	12.10	9.00	9.60	10.23	11.55	10.20
35	HC-FPC-03-09-35RLTAG	12.70	9.60	10.20	10.83	12.15	10.80
37	HC-FPC-03-09-37RLTAG	13.30	10.20	10.80	11.43	12.75	11.40
39	HC-FPC-03-09-39RLTAG	13.90	10.80	11.40	12.03	13.35	12.00
41	HC-FPC-03-09-41RLTAG	14.50	11.40	12.00	12.63	13.95	12.60
43	HC-FPC-03-09-43RLTAG	15.10	12.00	12.60	13.23	14.55	13.20
45	HC-FPC-03-09-45RLTAG	15.70	12.60	13.20	13.83	15.15	13.80
47	HC-FPC-03-09-47RLTAG	16.30	13.20	13.80	14.43	15.75	14.40
49	HC-FPC-03-09-49RLTAG	16.90	13.80	14.40	15.03	16.35	15.00
51	HC-FPC-03-09-51RLTAG	17.50	14.40	15.00	15.63	16.95	15.60

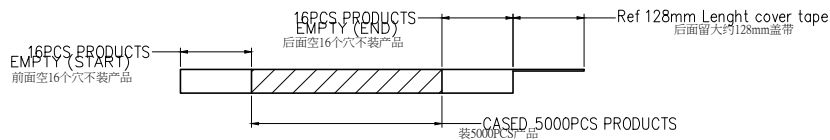
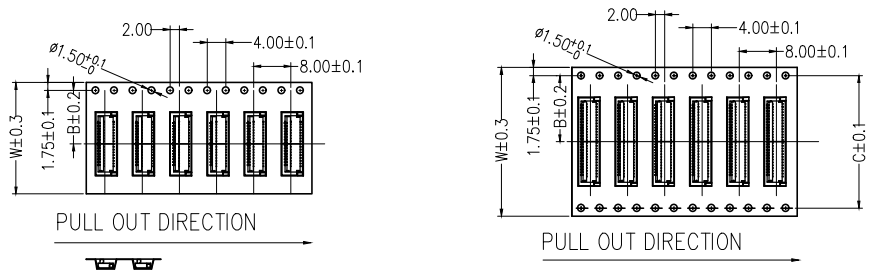
		GENREL TOLERANCE	制图 DRAWING	深圳市华灿天禄电子有限公司 Shenzhenhua cantianlu ELECTRONICS CO., LTD			
		DIM TOL	审核 CHECK				
		X.X ±0.30	批准 APPROVAL	产品名称 TITLE	0.3Pitch 1.0H ZIF 前插后掀式	版本 REV.	A
1		初版发行	比例 SCALE	产品料号 PART NO.	HC-FPC-03-09-NRLTAG	单位 UNITS	mm
序号 No.	变更内容 MODIFY CONTENT	日期 MODIFY DATE	投影 Projection	材料 MATERIAL		页次 SHEET	1/1

EMBOSSED TAPE PACKING

FPC 0.3Pitch 1.0H ZIF R/A Double Contact Connector SMT Type

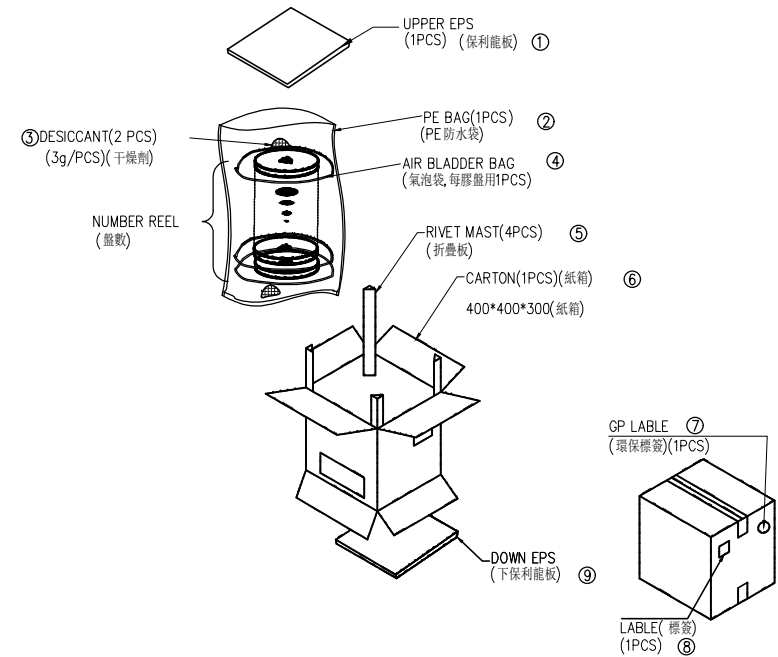


SCALE 1:4



NOTE:

- 1.10 Sprocket hole pitch cumulative tolerance ±0.20.
- 2.Carrier camber is within 1mm in 100mm.
- 3.Material: black conductive polystyrene alloy.
- 4.Material Thickness: 0.3±0.05mm.
- 5.All dimensions meet EIA-481-B requirements.
- 6.5000pcs Pef Reel.
- 7.For tape width(dim W)12,16 and 24mm pilot holes are provided on one sides.
For tape width(dim W)32, 44mm pilot holes are provided on both sides.



PIN NO.	W	B	C	PCS /REEL	REEL/CARTON	SUM(PCS)
09PIN~39PIN	24	11.5	-	5000	9	45000
41PIN~51PIN	32	14.2	28.4	5000	7	35000

			GENERAL TOLERANCE	制图 DRAWING	深圳市华灿天禄电子有限公司 ShenzhenhuacantianluELECTRONICS CO.,LTD			
			DIM TOL	审核 CHECK				
			X.X ±0.30	批准 APPROVAL	产品名称 TITLE	0.3Pitch 1.0H ZIF 前插后掀式-包装图	版本 REV.	A
1			初版发行	比例 SCALE	产品料号 PART NO.	HC-FPC-03-09-NRLTAG	单位 UNITS	mm
序号 No.	变更内容 MODIFY CONTENT	日期 MODIFY DATE	Angle ±3.0°	投影 Projection	材料 MATERIAL		页次 SHEET	1/1

X-ON Electronics

Largest Supplier of Electrical and Electronic Components

Click to view similar products for [FFC & FPC Connectors](#) category:

Click to view products by [HCTL](#) manufacturer:

Other Similar products are found below :

[00-6200-227-022-800](#) [006205250500825+](#) [006205280500825+](#) [FPH-1602G](#) [086222026001800](#) [52610-0675](#) [62674-201121DLF](#) [52746-1671-TR250](#) [10051922-1610EHLF](#) [10051922-2810EHLF](#) [686322124422](#) [XF3M-2915-1B-R100](#) [AYF353125A](#) [AYF530665TA](#) [AYF534065TA](#) [20FLH-RSM1-TB](#) [207356-1](#) [SFW12R-5STE9LF](#) [SFW18R-1STAE9LF](#) [SFW4R-5STE9LF](#) [52807-0430](#) [046283021002868+](#) [FFC05011-10SBB114W5M](#) [502250-8027](#) [67000-008LF](#) [200528-0260](#) [FH28K-10S-0.5SH](#) [FH52K-6S-0.5SH](#) [0.5K-DX-30PWB](#) [DS1020-08-10VBT12](#) [THD0515-34CL-GF](#) [X05A10L28G](#) [ECC2841061EU](#) [1.0K-DHQX-16PWB](#) [1.0K-DHQX-30PWB](#) [1775333-6](#) [10054365-202110ELF](#) [10054365-242110ELF](#) [10054365-282110ELF](#) [10064555-392220HLF](#) [59453-041110EBHLF](#) [59453-091110EDHLF](#) [62674-241141ALF](#) [62684-432100ALF](#) [62684-451100AHLF](#) [62684-5721N0ALF](#) [HFW11R-1STE1MTLF](#) [HFW12R-1STE9LF](#) [HFW14R-1STE9MTLF](#) [HFW18S-2STE9LF](#)