

Note:

1.Material

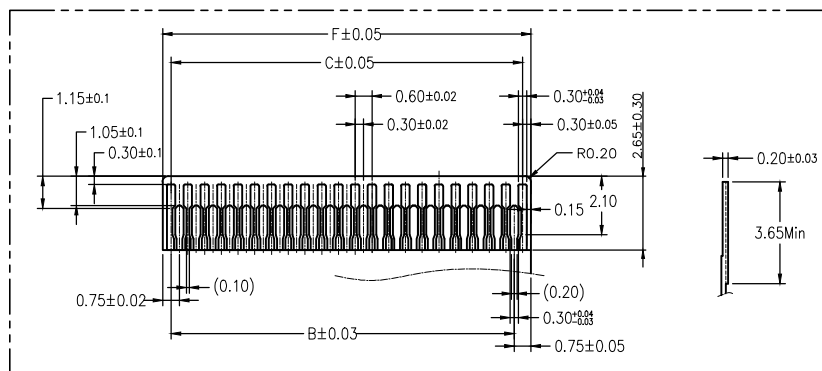
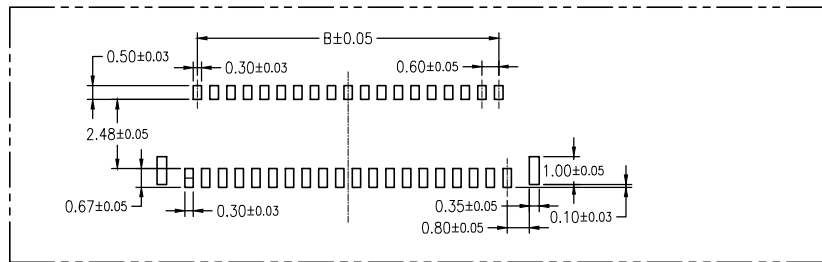
- 1.1: Housing: LCP UL94-V0 Color:Black or White
- 1.2: Actuator: LCP UL94-V0 Color:Black.
- 1.3: Contact: Phosphor Bronze.
- 1.4: LEG: Phosphor Bronze.

2.Plating

- 2.1: Contact: See Part Number.
- 2.2: LEG: Matte Tin Plating Over Nickel.

3.Rating:

- 3.1: Operating Voltage: 30V AC/DC.
- 3.2: Current Rating: 0.2A AC/DC.
- 3.3: Operating Temperature: -55°C~+85°C.

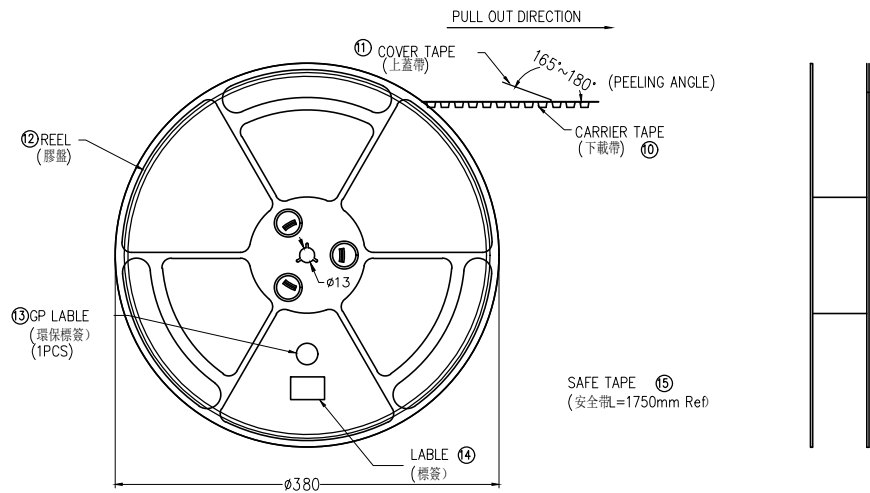


| Number of Contacts | Part NO.             | Dimensions mm |       |       |       |       |       |
|--------------------|----------------------|---------------|-------|-------|-------|-------|-------|
|                    |                      | A             | B     | C     | D     | E     | F     |
| 9                  | HC-FPC-03-09-9RLTAG  | 4.90          | 1.80  | 2.40  | 3.03  | 4.35  | 3.00  |
| 11                 | HC-FPC-03-09-11RLTAG | 5.50          | 2.40  | 3.00  | 3.63  | 4.95  | 3.60  |
| 13                 | HC-FPC-03-09-13RLTAG | 6.10          | 3.00  | 3.60  | 4.23  | 5.55  | 4.20  |
| 15                 | HC-FPC-03-09-15RLTAG | 6.70          | 3.60  | 4.20  | 4.83  | 6.15  | 4.80  |
| 17                 | HC-FPC-03-09-17RLTAG | 7.30          | 4.20  | 4.80  | 5.43  | 6.75  | 5.40  |
| 19                 | HC-FPC-03-09-19RLTAG | 7.90          | 4.80  | 5.40  | 6.03  | 7.35  | 6.00  |
| 21                 | HC-FPC-03-09-21RLTAG | 8.50          | 5.40  | 6.00  | 6.63  | 7.95  | 6.60  |
| 23                 | HC-FPC-03-09-23RLTAG | 9.10          | 6.00  | 6.60  | 7.23  | 8.55  | 7.20  |
| 25                 | HC-FPC-03-09-25RLTAG | 9.70          | 6.60  | 7.20  | 7.83  | 9.15  | 7.80  |
| 27                 | HC-FPC-03-09-27RLTAG | 10.30         | 7.20  | 7.80  | 8.43  | 9.75  | 8.40  |
| 29                 | HC-FPC-03-09-29RLTAG | 10.90         | 7.80  | 8.40  | 9.03  | 10.35 | 9.00  |
| 31                 | HC-FPC-03-09-31RLTAG | 11.50         | 8.40  | 9.00  | 9.63  | 10.95 | 9.60  |
| 33                 | HC-FPC-03-09-33RLTAG | 12.10         | 9.00  | 9.60  | 10.23 | 11.55 | 10.20 |
| 35                 | HC-FPC-03-09-35RLTAG | 12.70         | 9.60  | 10.20 | 10.83 | 12.15 | 10.80 |
| 37                 | HC-FPC-03-09-37RLTAG | 13.30         | 10.20 | 10.80 | 11.43 | 12.75 | 11.40 |
| 39                 | HC-FPC-03-09-39RLTAG | 13.90         | 10.80 | 11.40 | 12.03 | 13.35 | 12.00 |
| 41                 | HC-FPC-03-09-41RLTAG | 14.50         | 11.40 | 12.00 | 12.63 | 13.95 | 12.60 |
| 43                 | HC-FPC-03-09-43RLTAG | 15.10         | 12.00 | 12.60 | 13.23 | 14.55 | 13.20 |
| 45                 | HC-FPC-03-09-45RLTAG | 15.70         | 12.60 | 13.20 | 13.83 | 15.15 | 13.80 |
| 47                 | HC-FPC-03-09-47RLTAG | 16.30         | 13.20 | 13.80 | 14.43 | 15.75 | 14.40 |
| 49                 | HC-FPC-03-09-49RLTAG | 16.90         | 13.80 | 14.40 | 15.03 | 16.35 | 15.00 |
| 51                 | HC-FPC-03-09-51RLTAG | 17.50         | 14.40 | 15.00 | 15.63 | 16.95 | 15.60 |

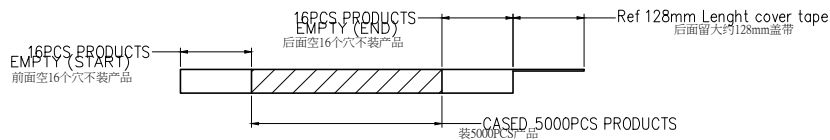
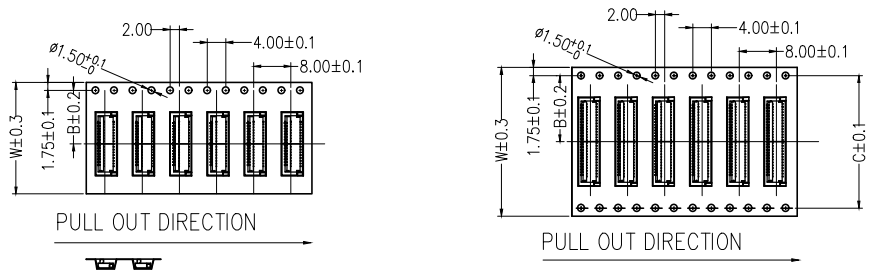
|           |                        |                   |                  |   |                            |             |     |
|-----------|------------------------|-------------------|------------------|---|----------------------------|-------------|-----|
|           |                        | GENREL TOLERANCE  | 制图<br>DRAWING    | 深圳市华灿天禄电子有限公司<br>Shenzhenhua cantianlu ELECTRONICS CO., LTD |                            |             |     |
|           |                        | DIM TOL           | 审核<br>CHECK      |   |                            |             |     |
|           |                        | X.X ±0.30         | 批准<br>APPROVAL   | 产品名称<br>TITLE   | 0.3Pitch 1.0H ZIF<br>前插后掀式 | 版本<br>REV.  | A   |
|           |                        | X.XX ±0.20        | 比例<br>SCALE      | 产品料号<br>PART NO.  | HC-FPC-03-09-NRLTAG        | 单位<br>UNITS | mm  |
|           |                        | X.XXX ±0.10       | 投影<br>Projection | 材料<br>MATERIAL  |                            | 页次<br>SHEET | 1/1 |
|           |                        | Angle ±3.0°       |                  |   |                            |             |     |
| 1         | 初版发行                   |                   |                  |   |                            |             |     |
| 序号<br>No. | 变更内容<br>MODIFY CONTENT | 日期<br>MODIFY DATE |                  |   |                            |             |     |

# EMBOSSED TAPE PACKING

FPC 0.3Pitch 1.0H ZIF R/A Double Contact Connector SMT Type

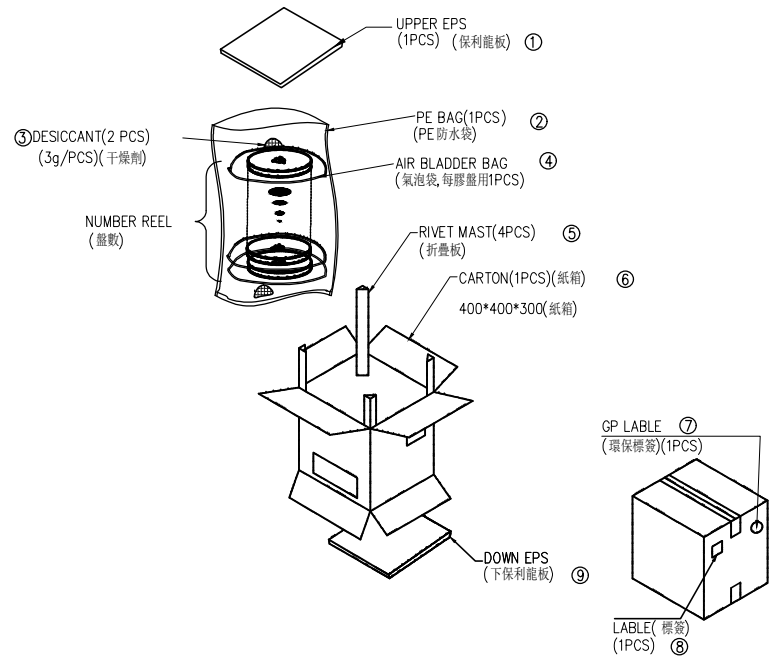


SCALE 1:4



## NOTE:

- 1.10 Sprocket hole pitch cumulative tolerance ±0.20.
- 2.Carrier camber is within 1mm in 100mm.
- 3.Material: black conductive polystyrene alloy.
- 4.Material Thickness: 0.3±0.05mm.
- 5.All dimensions meet EIA-481-B requirements.
- 6.5000pcs Pef Reel.
- 7.For tape width(dim W)12,16 and 24mm pilot holes are provided on one sides.  
For tape width(dim W)32, 44mm pilot holes are provided on both sides.



| PIN NO.     | W  | B    | C    | PCS /REEL | REEL/CARTON | SUM(PCS) |
|-------------|----|------|------|-----------|-------------|----------|
| 09PIN~39PIN | 24 | 11.5 | -    | 5000      | 9           | 45000    |
| 41PIN~51PIN | 32 | 14.2 | 28.4 | 5000      | 7           | 35000    |

|        |                     |                |                   |               |  |                             |          |     |
|--------|---------------------|----------------|-------------------|---------------|--|-----------------------------|----------|-----|
|        |                     |                | GENERAL TOLERANCE | 制图 DRAWING    | 深圳市华灿天禄电子有限公司<br>ShenzhenhuacantianluELECTRONICS CO.,LTD |                             |          |     |
|        |                     |                | DIM TOL           | 审核 CHECK      |  |                             |          |     |
|        |                     |                | X.X ±0.30         | 批准 APPROVAL   | 产品名称 TITLE   | 0.3Pitch 1.0H ZIF 前插后掀式-包装图 | 版本 REV.  | A   |
| 1      |                     |                | 初版发行              | 比例 SCALE      | 产品料号 PART NO.  | HC-FPC-03-09-NRLTAG         | 单位 UNITS | mm  |
| 序号 No. | 变更内容 MODIFY CONTENT | 日期 MODIFY DATE | Angle ±3.0°       | 投影 Projection | 材料 MATERIAL  |                             | 页次 SHEET | 1/1 |

## X-ON Electronics

Largest Supplier of Electrical and Electronic Components

*Click to view similar products for [FFC & FPC Connectors](#) category:*

*Click to view products by [HCTL](#) manufacturer:*

Other Similar products are found below :

[00-6200-227-022-800](#) [006205250500825+](#) [006205280500825+](#) [FPH-1602G](#) [086222026001800](#) [52610-0675](#) [62674-201121DLF](#) [52746-1671-TR250](#) [10051922-1610EHLF](#) [10051922-2810EHLF](#) [686322124422](#) [XF3M-2915-1B-R100](#) [AYF353125A](#) [AYF530665TA](#) [AYF534065TA](#) [20FLH-RSM1-TB](#) [207356-1](#) [SFW12R-5STE9LF](#) [SFW18R-1STAE9LF](#) [SFW4R-5STE9LF](#) [52807-0430](#) [046283021002868+](#) [FFC05011-10SBB114W5M](#) [502250-8027](#) [67000-008LF](#) [200528-0260](#) [FH28K-10S-0.5SH](#) [FH52K-6S-0.5SH](#) [0.5K-DX-30PWB](#) [DS1020-08-10VBT12](#) [THD0515-34CL-GF](#) [X05A10L28G](#) [ECC2841061EU](#) [1.0K-DHQX-16PWB](#) [1.0K-DHQX-30PWB](#) [1775333-6](#) [10054365-202110ELF](#) [10054365-242110ELF](#) [10054365-282110ELF](#) [10064555-392220HLF](#) [59453-041110EBHLF](#) [59453-091110EDHLF](#) [62674-241141ALF](#) [62684-432100ALF](#) [62684-451100AHLF](#) [62684-5721N0ALF](#) [HFW11R-1STE1MTLF](#) [HFW12R-1STE9LF](#) [HFW14R-1STE9MTLF](#) [HFW18S-2STE9LF](#)