

Note:

1.Material

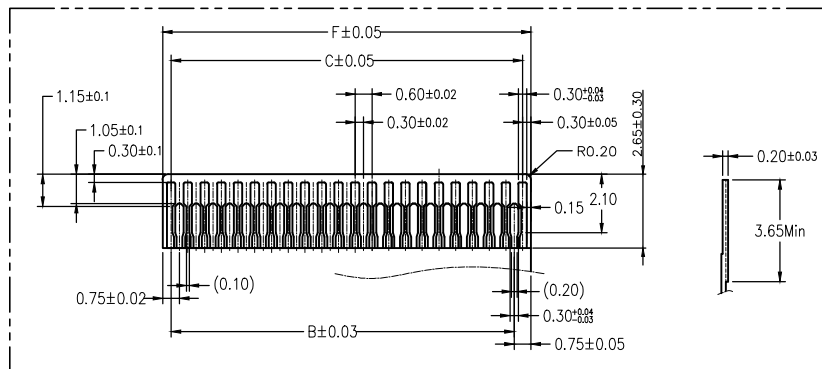
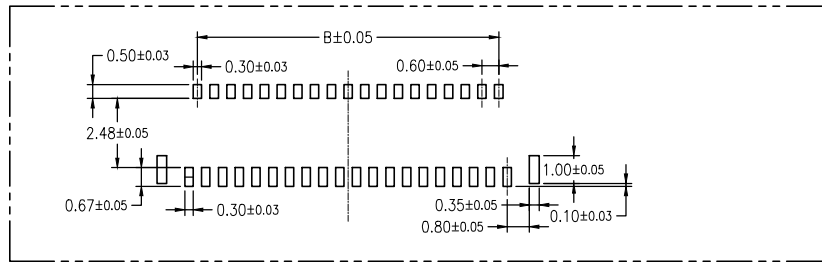
- 1.1: Housing: LCP UL94-V0 Color:Black or White
- 1.2: Actuator: LCP UL94-V0 Color:Black.
- 1.3: Contact: Phosphor Bronze.
- 1.4: LEG: Phosphor Bronze.

2.Plating

- 2.1: Contact: See Part Number.
- 2.2: LEG: Matte Tin Plating Over Nickel.

3.Rating:

- 3.1: Operating Voltage: 30V AC/DC.
- 3.2: Current Rating: 0.2A AC/DC.
- 3.3: Operating Temperature: -55°C~+85°C.

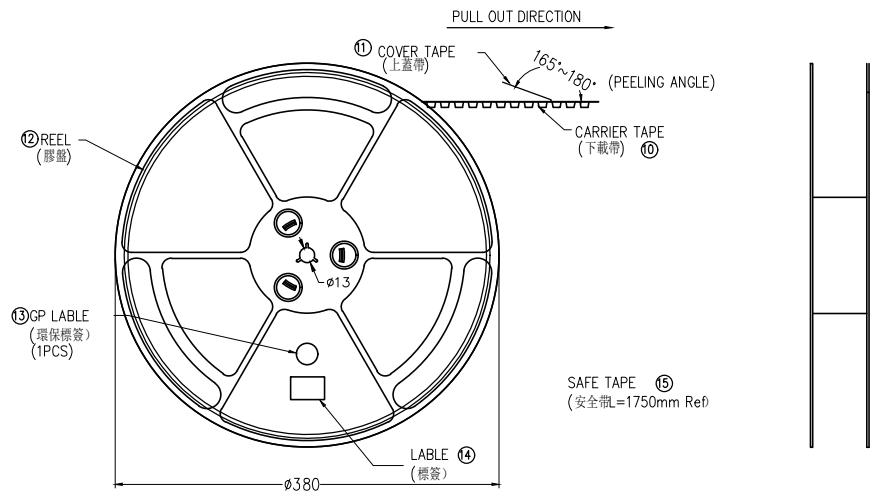


Number of Contacts	Part NO.	Dimensions mm					
		A	B	C	D	E	F
9	HC-FPC-03-09-9RLTAG	4.90	1.80	2.40	3.03	4.35	3.00
11	HC-FPC-03-09-11RLTAG	5.50	2.40	3.00	3.63	4.95	3.60
13	HC-FPC-03-09-13RLTAG	6.10	3.00	3.60	4.23	5.55	4.20
15	HC-FPC-03-09-15RLTAG	6.70	3.60	4.20	4.83	6.15	4.80
17	HC-FPC-03-09-17RLTAG	7.30	4.20	4.80	5.43	6.75	5.40
19	HC-FPC-03-09-19RLTAG	7.90	4.80	5.40	6.03	7.35	6.00
21	HC-FPC-03-09-21RLTAG	8.50	5.40	6.00	6.63	7.95	6.60
23	HC-FPC-03-09-23RLTAG	9.10	6.00	6.60	7.23	8.55	7.20
25	HC-FPC-03-09-25RLTAG	9.70	6.60	7.20	7.83	9.15	7.80
27	HC-FPC-03-09-27RLTAG	10.30	7.20	7.80	8.43	9.75	8.40
29	HC-FPC-03-09-29RLTAG	10.90	7.80	8.40	9.03	10.35	9.00
31	HC-FPC-03-09-31RLTAG	11.50	8.40	9.00	9.63	10.95	9.60
33	HC-FPC-03-09-33RLTAG	12.10	9.00	9.60	10.23	11.55	10.20
35	HC-FPC-03-09-35RLTAG	12.70	9.60	10.20	10.83	12.15	10.80
37	HC-FPC-03-09-37RLTAG	13.30	10.20	10.80	11.43	12.75	11.40
39	HC-FPC-03-09-39RLTAG	13.90	10.80	11.40	12.03	13.35	12.00
41	HC-FPC-03-09-41RLTAG	14.50	11.40	12.00	12.63	13.95	12.60
43	HC-FPC-03-09-43RLTAG	15.10	12.00	12.60	13.23	14.55	13.20
45	HC-FPC-03-09-45RLTAG	15.70	12.60	13.20	13.83	15.15	13.80
47	HC-FPC-03-09-47RLTAG	16.30	13.20	13.80	14.43	15.75	14.40
49	HC-FPC-03-09-49RLTAG	16.90	13.80	14.40	15.03	16.35	15.00
51	HC-FPC-03-09-51RLTAG	17.50	14.40	15.00	15.63	16.95	15.60

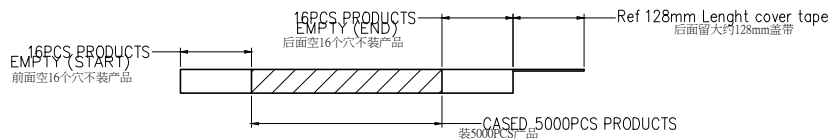
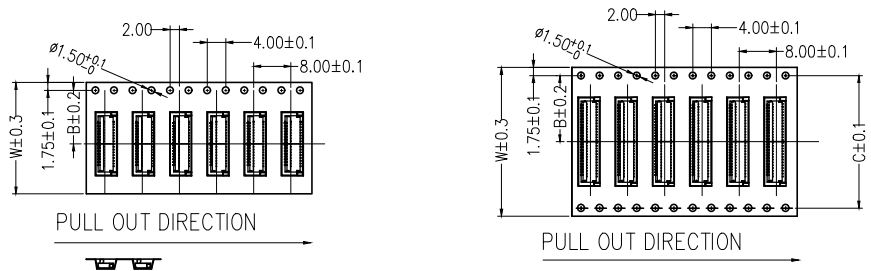
		GENREL TOLERANCE	制图 DRAWING	深圳市华灿天禄电子有限公司 Shenzhenhua cantianlu ELECTRONICS CO., LTD			
		DIM TOL	审核 CHECK				
		X.X ±0.30	批准 APPROVAL	产品名称 TITLE	0.3Pitch 1.0H ZIF 前插后掀式	版本 REV.	A
1		初版发行		产品料号 PART NO.	HC-FPC-03-09-NRLTAG	单位 UNITS	mm
序号 No.	变更内容 MODIFY CONTENT	日期 MODIFY DATE	Angle ±3.0°	投影 Projection	材料 MATERIAL	页次 SHEET	1/1

EMBOSSED TAPE PACKING

FPC 0.3Pitch 1.0H ZIF R/A Double Contact Connector SMT Type

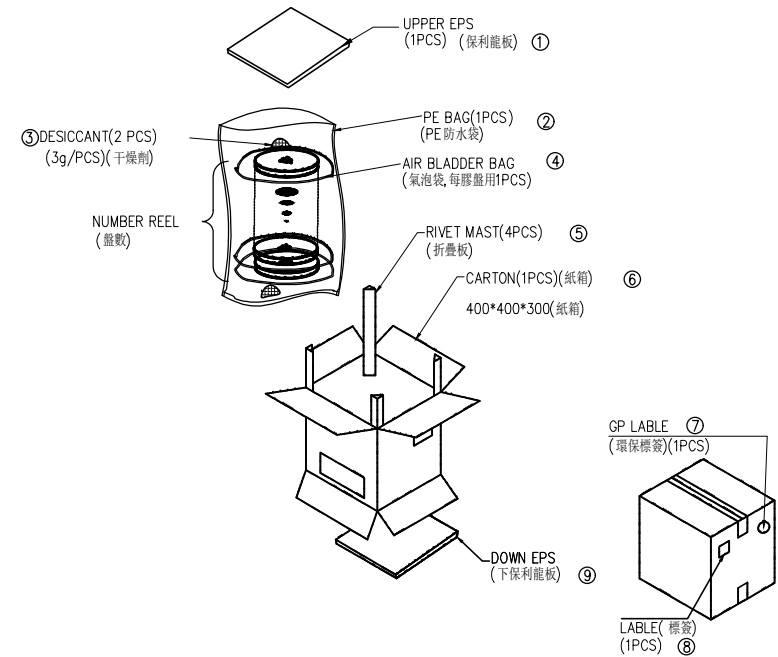


SCALE 1: 4




NOTE:

- 1.10 Sprocket hole pitch cumulative tolerance ± 0.20 .
2. Carrier camber is within 1mm in 100mm.
3. Material: black conductive polystyrene alloy.
4. Material Thickness: 0.3 ± 0.05 mm.
5. All dimensions meet EIA-481-B requirements.
6. 5000pcs Pef Reel.
7. For tape width(dim W)12,16 and 24mm pilot holes are provided on one sides. For tape width(dim W)32, 44mm pilot holes are provided on both sides.



PIN NO.	W	B	C	PCS /REEL	REEL/CARTON	SUM(PCS)
09PIN~39PIN	24	11.5	-	5000	9	45000
41PIN~51PIN	32	14.2	28.4	5000	7	35000

			GENERAL TOLERANCE		制 图 DRAWING		 深圳市华灿天禄电子有限公司 ShenzhenhuacantianluELECTRONICS CO.,LTD					
			DIM TOL		审 核 CHECK							
			X.X ±0.30		批 准 APPROVAL		产品名称 TITLE		0.3Pitch 1.0H ZIF 前插后掀式-包装图		版 本 REV.	A
1			初版发行		比 例 SCALE		产品料号 PART NO.		HC-FPC-03-09-NRLTAG		单 位 UNITS	mm
序号 No.	变更内容 MODIFY CONTENT		日期 MODIFY DATE		投 影 Projection		材 料 MATERIAL				页 次 SHEET	1/1

X-ON Electronics

Largest Supplier of Electrical and Electronic Components

Click to view similar products for [FFC & FPC Connectors](#) category:

Click to view products by [HCTL](#) manufacturer:

Other Similar products are found below :

[00-6200-227-022-800](#) [006205250500825+](#) [006205280500825+](#) [FPH-1602G](#) [086222026001800](#) [52610-0675](#) [62674-201121DLF](#) [52746-1671-TR250](#) [10051922-1610EHLF](#) [10051922-2810EHLF](#) [686322124422](#) [XF3M-2915-1B-R100](#) [AYF353125A](#) [AYF530665TA](#) [AYF534065TA](#) [20FLH-RSM1-TB](#) [207356-1](#) [SFW12R-5STE9LF](#) [SFW18R-1STAE9LF](#) [SFW4R-5STE9LF](#) [52807-0430](#) [046283021002868+](#) [FFC05011-10SBB114W5M](#) [502250-8027](#) [67000-008LF](#) [200528-0260](#) [FH28K-10S-0.5SH](#) [FH52K-6S-0.5SH](#) [0.5K-DX-30PWB](#) [DS1020-08-10VBT12](#) [THD0515-34CL-GF](#) [X05A10L28G](#) [ECC2841061EU](#) [1.0K-DHQX-16PWB](#) [1.0K-DHQX-30PWB](#) [1775333-6](#) [10054365-202110ELF](#) [10054365-242110ELF](#) [10054365-282110ELF](#) [10064555-392220HLF](#) [59453-041110EBHLF](#) [59453-091110EDHLF](#) [62674-241141ALF](#) [62684-432100ALF](#) [62684-451100AHLF](#) [62684-5721N0ALF](#) [HFW11R-1STE1MTLF](#) [HFW12R-1STE9LF](#) [HFW14R-1STE9MTLF](#) [HFW18S-2STE9LF](#)