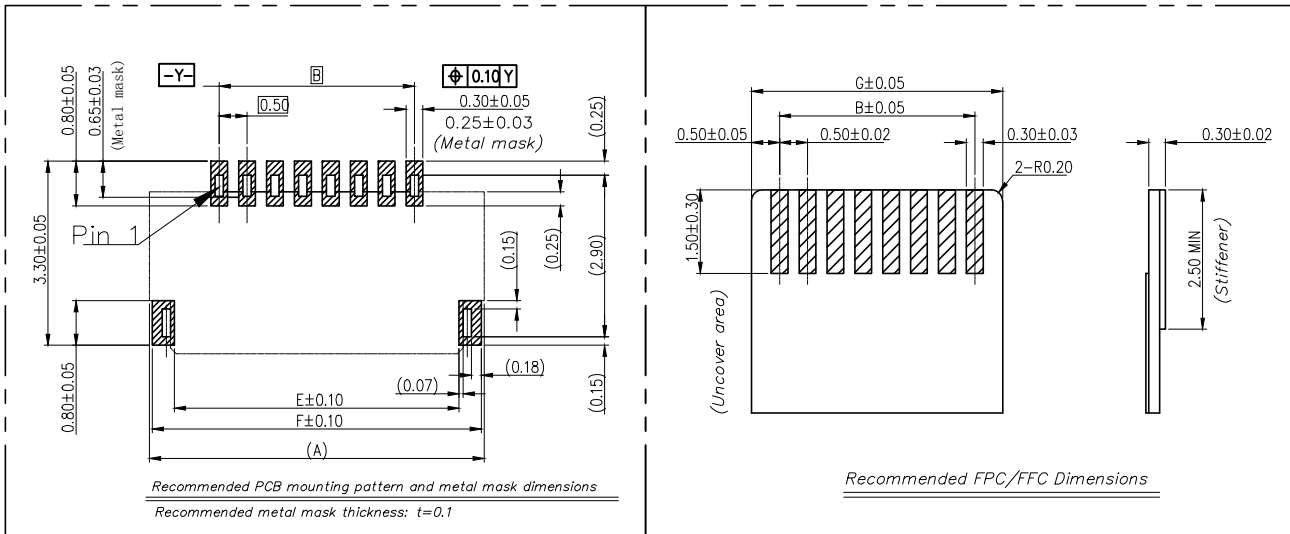
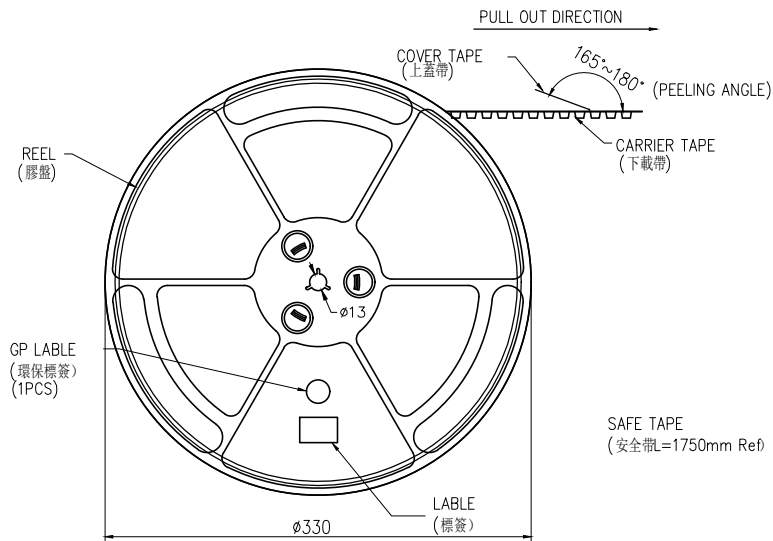


NOTE:  
 1. MATERIAL:  
 HOUSING: LCP (UL94V-0), COLOR: NATURAL.  
 CONTACTS: COPPER ALLOY.  
 PEG: COPPER ALLOY.  
 ACTUATOR: LCP (UL94-V0). COLOR: BLACK  
 2. RATING:  
 OPERATING VOLTAGE: 50Vrms AC.  
 CURRENT RATING: 0.5A.  
 OPERATING TEMPERATURE: -55°C~+85°C.  
 OPERATING HUMIDITY RANGE: RELATIVE HUMIDITY 90% MAX.(NO CONDENSATION)  
 STORAGE TEMPERATURE RANGE: -10°C~+50°C.  
 STORAGE HUMIDITY RANGE: RELATIVE HUMIDITY 90% MAX.(NO CONDENSATION)



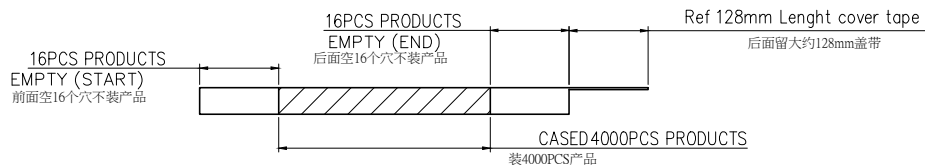
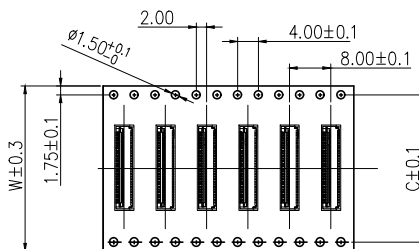
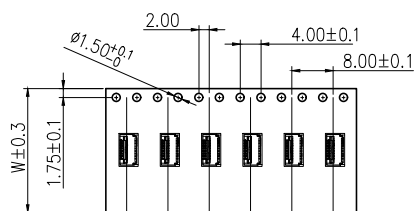
| Number of Contacts | Part NO.             | Dimensions mm |       |       |       |       |       |       |
|--------------------|----------------------|---------------|-------|-------|-------|-------|-------|-------|
|                    |                      | A             | B     | C     | D     | E     | F     | G     |
| 4                  | HC-FPC-05-09-4RLTAG  | 4.00          | 1.50  | 2.57  | 3.39  | 3.10  | 3.90  | 2.50  |
| 5                  | HC-FPC-05-09-5RLTAG  | 4.50          | 2.00  | 3.07  | 3.89  | 3.60  | 4.40  | 3.00  |
| 6                  | HC-FPC-05-09-6RLTAG  | 5.00          | 2.50  | 3.57  | 4.39  | 4.10  | 4.90  | 3.50  |
| 8                  | HC-FPC-05-09-8RLTAG  | 6.00          | 3.50  | 4.57  | 5.39  | 5.10  | 5.90  | 4.50  |
| 10                 | HC-FPC-05-09-10RLTAG | 7.00          | 4.50  | 5.57  | 6.39  | 6.10  | 6.90  | 5.50  |
| 12                 | HC-FPC-05-09-12RLTAG | 8.00          | 5.50  | 6.57  | 7.39  | 7.10  | 7.90  | 6.50  |
| 14                 | HC-FPC-05-09-14RLTAG | 9.00          | 6.50  | 7.57  | 8.39  | 8.10  | 8.90  | 7.50  |
| 16                 | HC-FPC-05-09-16RLTAG | 10.00         | 7.50  | 8.57  | 9.39  | 9.10  | 9.90  | 8.50  |
| 18                 | HC-FPC-05-09-18RLTAG | 11.00         | 8.50  | 9.57  | 10.39 | 10.10 | 10.90 | 9.50  |
| 20                 | HC-FPC-05-09-20RLTAG | 12.00         | 9.50  | 10.57 | 11.39 | 11.10 | 11.90 | 10.50 |
| 22                 | HC-FPC-05-09-22RLTAG | 13.00         | 10.50 | 11.57 | 12.39 | 12.10 | 12.90 | 11.50 |
| 24                 | HC-FPC-05-09-24RLTAG | 14.00         | 11.50 | 12.57 | 13.39 | 13.10 | 13.90 | 12.50 |
| 26                 | HC-FPC-05-09-26RLTAG | 15.00         | 12.50 | 13.57 | 14.39 | 14.10 | 14.90 | 13.50 |
| 28                 | HC-FPC-05-09-28RLTAG | 16.00         | 13.50 | 14.57 | 15.39 | 15.10 | 15.90 | 14.50 |
| 30                 | HC-FPC-05-09-30RLTAG | 17.00         | 14.50 | 15.57 | 16.39 | 16.10 | 16.90 | 15.50 |
| 32                 | HC-FPC-05-09-32RLTAG | 18.00         | 15.50 | 16.57 | 17.39 | 17.10 | 17.90 | 16.50 |
| 34                 | HC-FPC-05-09-34RLTAG | 19.00         | 16.50 | 17.57 | 18.39 | 18.10 | 18.90 | 17.50 |
| 40                 | HC-FPC-05-09-40RLTAG | 22.00         | 19.50 | 20.57 | 21.39 | 21.10 | 21.90 | 20.50 |

|           |                        |                   |                |  |                             |             |     |
|-----------|------------------------|-------------------|----------------|--|-----------------------------|-------------|-----|
|           |                        | GENERAL TOLERANCE | 制图<br>DRAWING  | 深圳市华灿天禄电子有限公司<br>ShenzhenhuacantianluELECTRONICS CO.,LTD |                             |             |     |
|           |                        | DIM TOL           | 审核<br>CHECK    |  |                             |             |     |
|           |                        | X.X ±0.30         | 批准<br>APPROVAL | 产品名称<br>TITLE  | 0.5 Pitch 1.0H ZIF<br>前插后掀式 | 版本<br>REV.  | A   |
| 1         |                        | 初版发行              |                | 产品料号<br>PART NO.   | HC-FPC-05-09-NRLTAG         | 单位<br>UNITS | mm  |
| 序号<br>No. | 变更内容<br>MODIFY CONTENT | 日期<br>MODIFY DATE | Angle ±3.0°    | 投影<br>Projection   | 材料<br>MATERIAL              | 页次<br>SHEET | 1/1 |



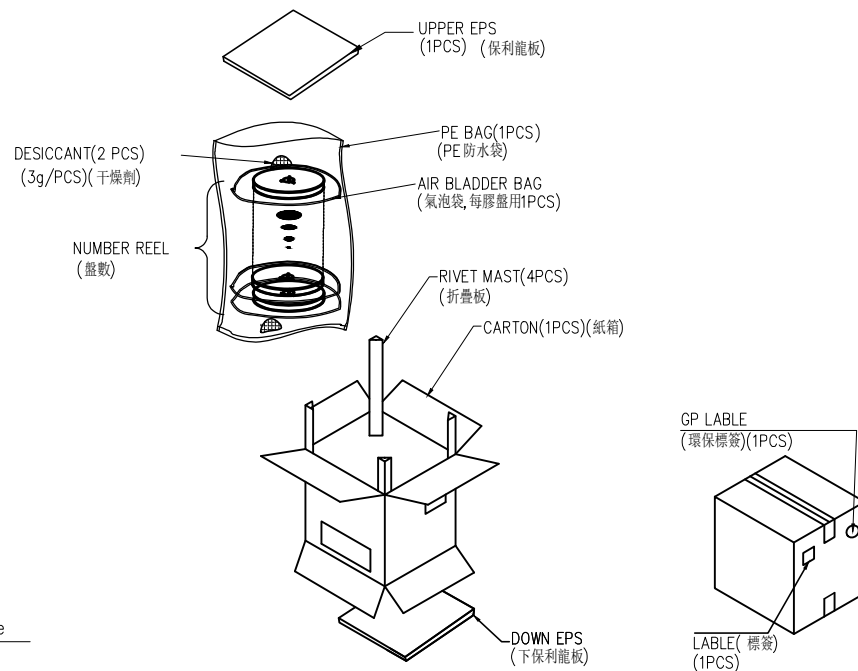
SAFE TAPE  
(安全帶L=1750mm Ref)

SCALE 1: 4



NOTE:

- 1.10 Sprocket hole pitch cumulative tolerance  $\pm 0.20$ .
- 2.Carrier camber is within 1mm in 100mm.
- 3.Material: black conductive polystyrene alloy.
- 4.Material Thickness:  $0.3 \pm 0.05$ mm.
- 5.All dimensions meet EIA-481-B requirements.
- 6.4000pcs Pef Reel.
- 7.For tape width(dim W)16 and 24mm pilot holes are provided on one sides.  
For tape width(dim W)32, 44 and 56mm pilot holes are provided on both sides.



| PIN NO.     | W  | C    | PCS /REEL | REEL/CARTON | SUM(PCS) |
|-------------|----|------|-----------|-------------|----------|
| 04PIN~14PIN | 16 | -    | 4000      | 15          | 60000    |
| 16PIN~28PIN | 24 | -    | 4000      | 10          | 40000    |
| 30PIN~34PIN | 32 | 28.4 | 4000      | 8           | 32000    |
| 40Pin       | 44 | 40.4 | 4000      | 6           | 24000    |

|           |                        |                   |                         |                  |   |                                 |             |     |
|-----------|------------------------|-------------------|-------------------------|------------------|---|---------------------------------|-------------|-----|
|           |                        |                   | GENERAL TOLERANCE       | 制图<br>DRAWING    | 深圳市华灿天禄电子有限公司<br>ShenzhenhuacantianluELECTRONICS CO., LTD |                                 |             |     |
|           |                        |                   | DIM TOL                 | 审核<br>CHECK      |   |                                 |             |     |
|           |                        |                   | X.X $\pm 0.30$          | 批准<br>APPROVAL   | 产品名称<br>TITLE   | 0.5 Pitch 1.0H ZIF<br>前插后掀式-包装图 | 版本<br>REV.  | A   |
| 1         |                        |                   | 初版发行                    | 比例<br>SCALE      | 产品料号<br>PART NO.  | HC-FPC-05-09-NRLTAG             | 单位<br>UNITS | mm  |
| 序号<br>No. | 变更内容<br>MODIFY CONTENT | 日期<br>MODIFY DATE | Angle $\pm 3.0^{\circ}$ | 投影<br>Projection | 材料<br>MATERIAL  |                                 | 页次<br>SHEET | 1/1 |

## X-ON Electronics

Largest Supplier of Electrical and Electronic Components

*Click to view similar products for [FFC & FPC Connectors](#) category:*

*Click to view products by [HCTL](#) manufacturer:*

Other Similar products are found below :

[00-6200-227-022-800](#) [006205250500825+](#) [006205280500825+](#) [FPH-1602G](#) [086222026001800](#) [52610-0675](#) [62674-201121DLF](#) [52746-1671-TR250](#) [10051922-1610EHLF](#) [10051922-2810EHLF](#) [686322124422](#) [XF3M-2915-1B-R100](#) [AYF353125A](#) [AYF530665TA](#) [AYF534065TA](#) [20FLH-RSM1-TB](#) [207356-1](#) [SFW12R-5STE9LF](#) [SFW18R-1STAE9LF](#) [SFW4R-5STE9LF](#) [52807-0430](#) [046283021002868+](#) [FFC05011-10SBB114W5M](#) [502250-8027](#) [67000-008LF](#) [200528-0260](#) [FH28K-10S-0.5SH](#) [FH52K-6S-0.5SH](#) [0.5K-DX-30PWB](#) [DS1020-08-10VBT12](#) [THD0515-34CL-GF](#) [X05A10L28G](#) [ECC2841061EU](#) [1.0K-DHQX-16PWB](#) [1.0K-DHQX-30PWB](#) [1775333-6](#) [10054365-202110ELF](#) [10054365-242110ELF](#) [10054365-282110ELF](#) [10064555-392220HLF](#) [59453-041110EBHLF](#) [59453-091110EDHLF](#) [62674-241141ALF](#) [62684-432100ALF](#) [62684-451100AHLF](#) [62684-5721N0ALF](#) [HFW11R-1STE1MTLF](#) [HFW12R-1STE9LF](#) [HFW14R-1STE9MTLF](#) [HFW18S-2STE9LF](#)