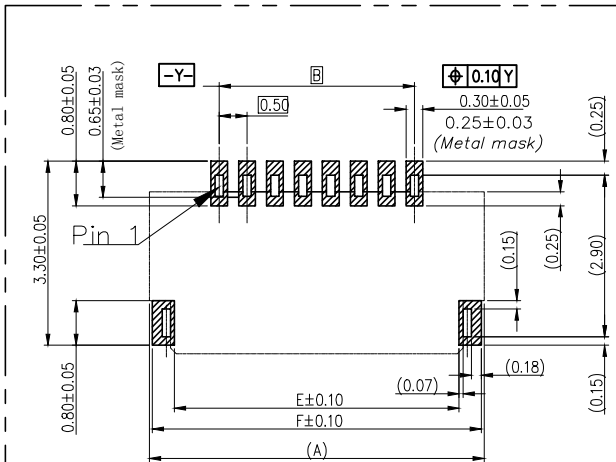
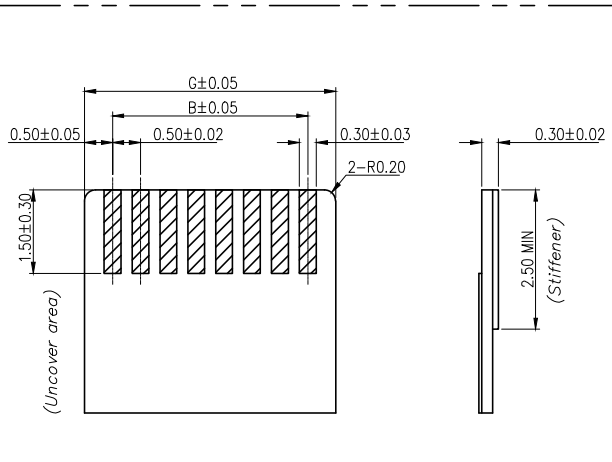


NOTE:
 1. MATERIAL:
 HOUSING: LCP (UL94V-0), COLOR: NATURAL.
 CONTACTS: COPPER ALLOY.
 PEG: COPPER ALLOY.
 ACTUATOR: LCP (UL94-V0). COLOR: BLACK
 2. RATING:
 OPERATING VOLTAGE: 50Vrms AC.
 CURRENT RATING: 0.5A.
 OPERATING TEMPERATURE: -55°C~+85°C.
 OPERATING HUMIDITY RANGE: RELATIVE HUMIDITY 90% MAX.(NO CONDENSATION)
 STORAGE TEMPERATURE RANGE: -10°C~+50°C.
 STORAGE HUMIDITY RANGE: RELATIVE HUMIDITY 90% MAX.(NO CONDENSATION)



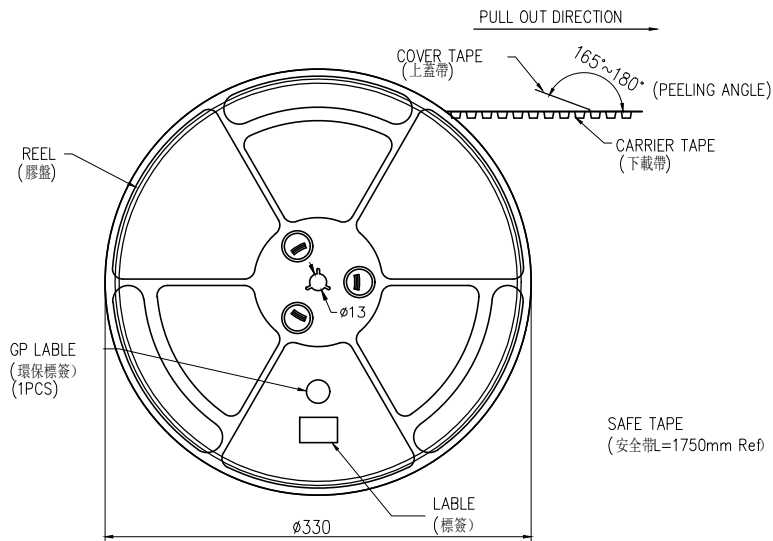
Recommended PCB mounting pattern and metal mask dimensions
 Recommended metal mask thickness: t=0.1



Recommended FPC/FFC Dimensions

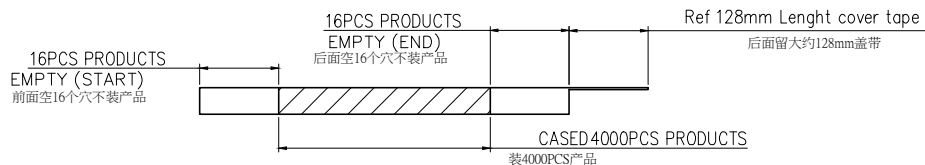
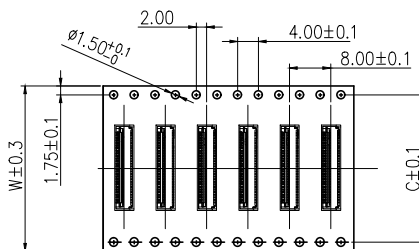
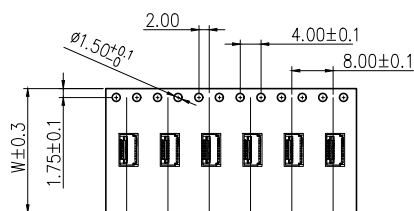
Number of Contacts	Part NO.	Dimensions mm						
		A	B	C	D	E	F	G
4	HC-FPC-05-09-4RLTAG	4.00	1.50	2.57	3.39	3.10	3.90	2.50
5	HC-FPC-05-09-5RLTAG	4.50	2.00	3.07	3.89	3.60	4.40	3.00
6	HC-FPC-05-09-6RLTAG	5.00	2.50	3.57	4.39	4.10	4.90	3.50
8	HC-FPC-05-09-8RLTAG	6.00	3.50	4.57	5.39	5.10	5.90	4.50
10	HC-FPC-05-09-10RLTAG	7.00	4.50	5.57	6.39	6.10	6.90	5.50
12	HC-FPC-05-09-12RLTAG	8.00	5.50	6.57	7.39	7.10	7.90	6.50
14	HC-FPC-05-09-14RLTAG	9.00	6.50	7.57	8.39	8.10	8.90	7.50
16	HC-FPC-05-09-16RLTAG	10.00	7.50	8.57	9.39	9.10	9.90	8.50
18	HC-FPC-05-09-18RLTAG	11.00	8.50	9.57	10.39	10.10	10.90	9.50
20	HC-FPC-05-09-20RLTAG	12.00	9.50	10.57	11.39	11.10	11.90	10.50
22	HC-FPC-05-09-22RLTAG	13.00	10.50	11.57	12.39	12.10	12.90	11.50
24	HC-FPC-05-09-24RLTAG	14.00	11.50	12.57	13.39	13.10	13.90	12.50
26	HC-FPC-05-09-26RLTAG	15.00	12.50	13.57	14.39	14.10	14.90	13.50
28	HC-FPC-05-09-28RLTAG	16.00	13.50	14.57	15.39	15.10	15.90	14.50
30	HC-FPC-05-09-30RLTAG	17.00	14.50	15.57	16.39	16.10	16.90	15.50
32	HC-FPC-05-09-32RLTAG	18.00	15.50	16.57	17.39	17.10	17.90	16.50
34	HC-FPC-05-09-34RLTAG	19.00	16.50	17.57	18.39	18.10	18.90	17.50
40	HC-FPC-05-09-40RLTAG	22.00	19.50	20.57	21.39	21.10	21.90	20.50

		GENERAL TOLERANCE	制图 DRAWING	深圳市华灿天禄电子有限公司 ShenzhenhuacantianluELECTRONICS CO.,LTD			
		DIM TOL	审核 CHECK				
		X.X ±0.30	批准 APPROVAL	产品名称 TITLE	0.5 Pitch 1.0H ZIF 前插后掀式	版本 REV.	A
1		初版发行	比例 SCALE	产品料号 PART NO.	HC-FPC-05-09-NRLTAG	单位 UNITS	mm
序号 No.	变更内容 MODIFY CONTENT	日期 MODIFY DATE	投影 Projection	材料 MATERIAL		页次 SHEET	1/1



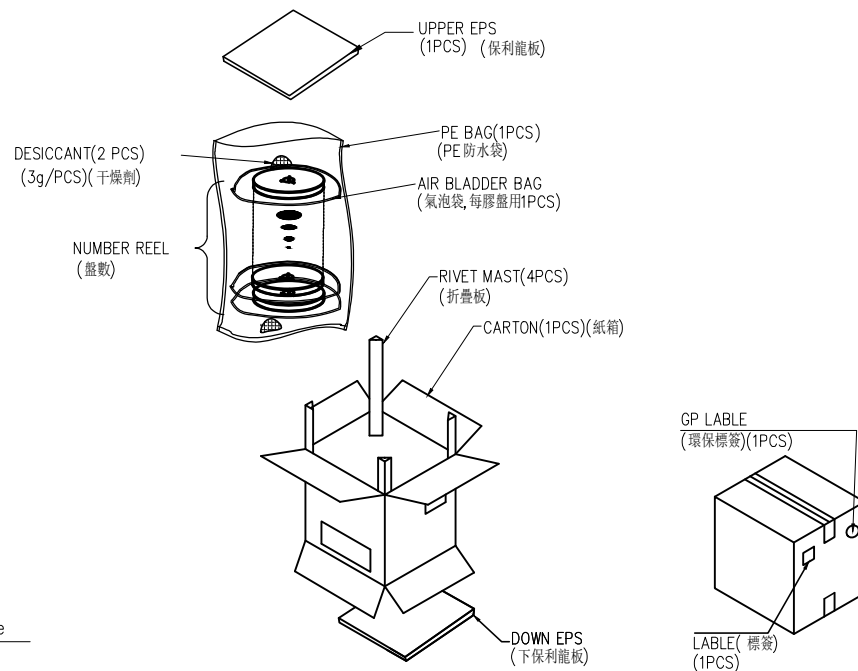
SAFE TAPE
(安全帶L=1750mm Ref)

SCALE 1: 4



NOTE:

- 1.10 Sprocket hole pitch cumulative tolerance ± 0.20 .
- 2.Carrier camber is within 1mm in 100mm.
- 3.Material: black conductive polystyrene alloy.
- 4.Material Thickness: 0.3 ± 0.05 mm.
- 5.All dimensions meet EIA-481-B requirements.
- 6.4000pcs Pef Reel.
- 7.For tape width(dim W)16 and 24mm pilot holes are provided on one sides.
For tape width(dim W)32, 44 and 56mm pilot holes are provided on both sides.



PIN NO.	W	C	PCS /REEL	REEL/CARTON	SUM(PCS)
04PIN~14PIN	16	-	4000	15	60000
16PIN~28PIN	24	-	4000	10	40000
30PIN~34PIN	32	28.4	4000	8	32000
40Pin	44	40.4	4000	6	24000

			GENERAL TOLERANCE	制 图 DRAWING	深圳市华灿天禄电子有限公司 ShenzhenhuacantianluELECTRONICS CO., LTD		
			DIM TOL	审 核 CHECK			
			X.X ± 0.30	批 准 APPROVAL	产品名称 TITLE	0.5 Pitch 1.0H ZIF 前插后掀式-包装图	版 本 REV.
			X.XX ± 0.20	比 例 SCALE	产品料号 PART NO.	HC-FPC-05-09-NRLTAG	单 位 UNITS
			X.XXX ± 0.10	投 影 Projection	材 料 MATERIAL		页 次 SHEET
			Angle $\pm 3.0^{\circ}$				1/1
1	初版发行						A
序号 No.	变更内容 MODIFY CONTENT	日期 MODIFY DATE					

X-ON Electronics

Largest Supplier of Electrical and Electronic Components

Click to view similar products for [FFC & FPC Connectors](#) category:

Click to view products by [HCTL](#) manufacturer:

Other Similar products are found below :

[00-6200-227-022-800](#) [006205250500825+](#) [006205280500825+](#) [FPH-1602G](#) [086222026001800](#) [52610-0675](#) [62674-201121DLF](#) [52746-1671-TR250](#) [10051922-1610EHLF](#) [10051922-2810EHLF](#) [686322124422](#) [XF3M-2915-1B-R100](#) [AYF353125A](#) [AYF530665TA](#) [AYF534065TA](#) [20FLH-RSM1-TB](#) [207356-1](#) [SFW12R-5STE9LF](#) [SFW18R-1STAE9LF](#) [SFW4R-5STE9LF](#) [52807-0430](#) [046283021002868+](#) [FFC05011-10SBB114W5M](#) [502250-8027](#) [67000-008LF](#) [200528-0260](#) [FH28K-10S-0.5SH](#) [FH52K-6S-0.5SH](#) [0.5K-DX-30PWB](#) [DS1020-08-10VBT12](#) [THD0515-34CL-GF](#) [X05A10L28G](#) [ECC2841061EU](#) [1.0K-DHQX-16PWB](#) [1.0K-DHQX-30PWB](#) [1775333-6](#) [10054365-202110ELF](#) [10054365-242110ELF](#) [10054365-282110ELF](#) [10064555-392220HLF](#) [59453-041110EBHLF](#) [59453-091110EDHLF](#) [62674-241141ALF](#) [62684-432100ALF](#) [62684-451100AHLF](#) [62684-5721N0ALF](#) [HFW11R-1STE1MTLF](#) [HFW12R-1STE9LF](#) [HFW14R-1STE9MTLF](#) [HFW18S-2STE9LF](#)