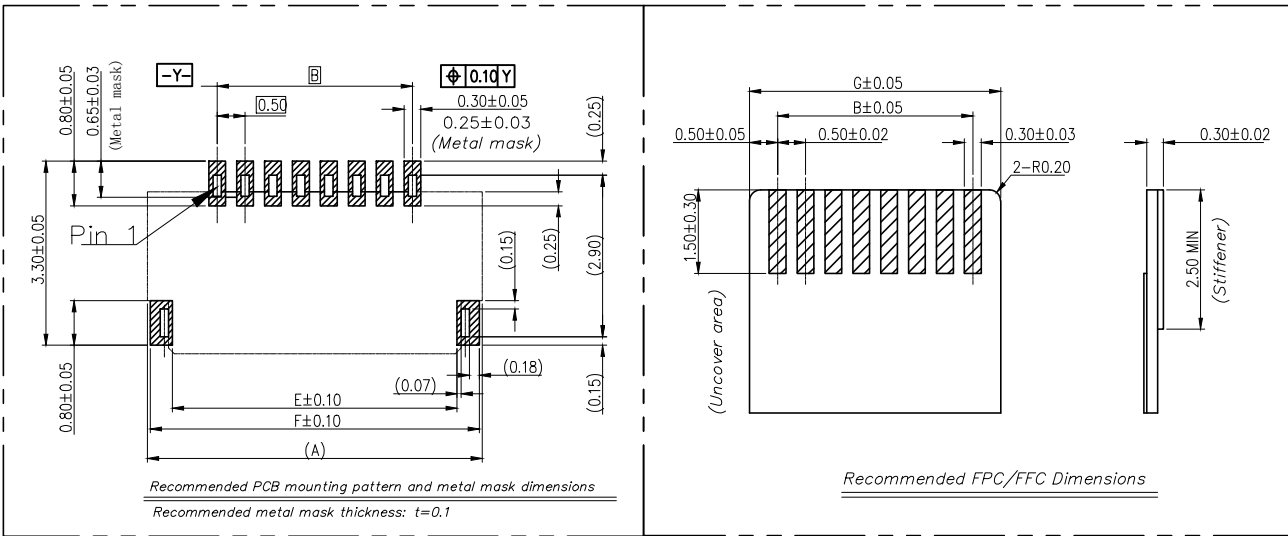
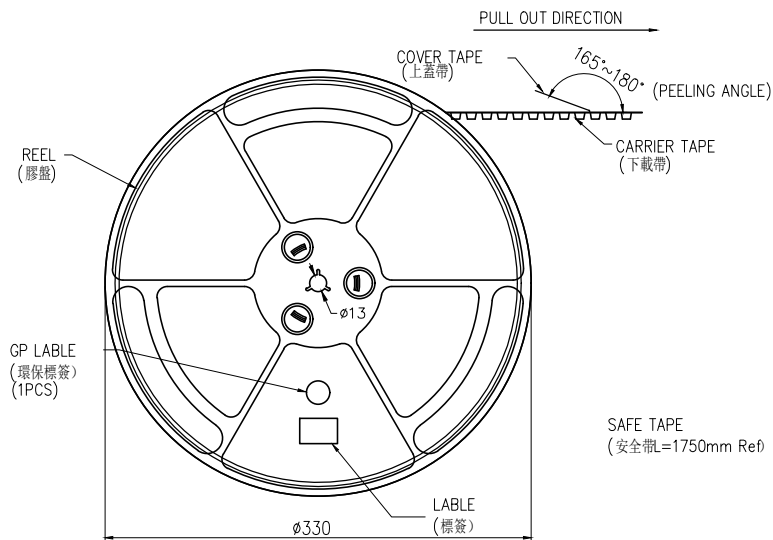


NOTE:
 1. MATERIAL:
 HOUSING: LCP (UL94V-0), COLOR: NATURAL.
 CONTACTS: COPPER ALLOY.
 PEG: COPPER ALLOY.
 ACTUATOR: LCP (UL94-V0). COLOR: BLACK
 2. RATING:
 OPERATING VOLTAGE: 50Vrms AC.
 CURRENT RATING: 0.5A.
 OPERATING TEMPERATURE: -55°C~+85°C.
 OPERATING HUMIDITY RANGE: RELATIVE HUMIDITY 90% MAX.(NO CONDENSATION)
 STORAGE TEMPERATURE RANGE: -10°C~+50°C.
 STORAGE HUMIDITY RANGE: RELATIVE HUMIDITY 90% MAX.(NO CONDENSATION)



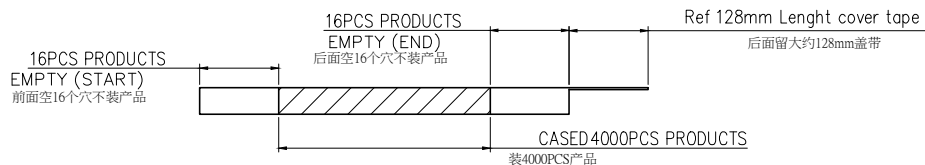
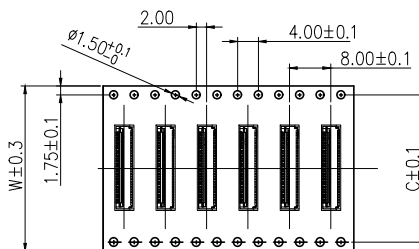
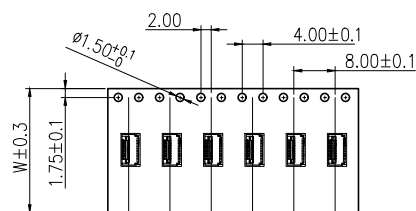
Number of Contacts	Part NO.	Dimensions mm						
		A	B	C	D	E	F	G
4	HC-FPC-05-09-4RLTAG	4.00	1.50	2.57	3.39	3.10	3.90	2.50
5	HC-FPC-05-09-5RLTAG	4.50	2.00	3.07	3.89	3.60	4.40	3.00
6	HC-FPC-05-09-6RLTAG	5.00	2.50	3.57	4.39	4.10	4.90	3.50
8	HC-FPC-05-09-8RLTAG	6.00	3.50	4.57	5.39	5.10	5.90	4.50
10	HC-FPC-05-09-10RLTAG	7.00	4.50	5.57	6.39	6.10	6.90	5.50
12	HC-FPC-05-09-12RLTAG	8.00	5.50	6.57	7.39	7.10	7.90	6.50
14	HC-FPC-05-09-14RLTAG	9.00	6.50	7.57	8.39	8.10	8.90	7.50
16	HC-FPC-05-09-16RLTAG	10.00	7.50	8.57	9.39	9.10	9.90	8.50
18	HC-FPC-05-09-18RLTAG	11.00	8.50	9.57	10.39	10.10	10.90	9.50
20	HC-FPC-05-09-20RLTAG	12.00	9.50	10.57	11.39	11.10	11.90	10.50
22	HC-FPC-05-09-22RLTAG	13.00	10.50	11.57	12.39	12.10	12.90	11.50
24	HC-FPC-05-09-24RLTAG	14.00	11.50	12.57	13.39	13.10	13.90	12.50
26	HC-FPC-05-09-26RLTAG	15.00	12.50	13.57	14.39	14.10	14.90	13.50
28	HC-FPC-05-09-28RLTAG	16.00	13.50	14.57	15.39	15.10	15.90	14.50
30	HC-FPC-05-09-30RLTAG	17.00	14.50	15.57	16.39	16.10	16.90	15.50
32	HC-FPC-05-09-32RLTAG	18.00	15.50	16.57	17.39	17.10	17.90	16.50
34	HC-FPC-05-09-34RLTAG	19.00	16.50	17.57	18.39	18.10	18.90	17.50
40	HC-FPC-05-09-40RLTAG	22.00	19.50	20.57	21.39	21.10	21.90	20.50

			GENREL TOLERANCE	制图 DRAWING	深圳市华灿天禄电子有限公司 ShenzhenhuacantianluELECTRONICS CO.,LTD			
			DIM TOL	审核 CHECK				
			X.X ±0.30	批准 APPROVAL	产品名称 TITLE	0.5 Pitch 1.0H ZIF 前插后掀式	版本 REV.	A
			X.XX ±0.20	比例 SCALE	产品料号 PART NO.	HC-FPC-05-09-NRLTAG	单位 UNITS	mm
			X.XXX ±0.10	投影 Projection	材料 MATERIAL		页次 SHEET	1/1
1	初版发行		Angle ±3.0°					
序号 No.	变更内容 MODIFY CONTENT	日期 MODIFY DATE						



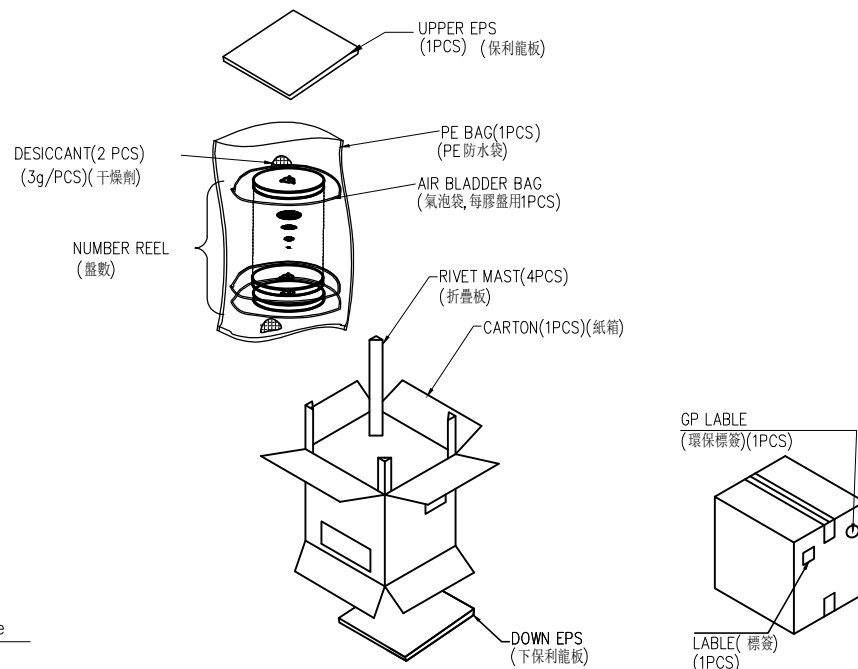
SAFE TAPE
(安全帶L=1750mm Ref)

SCALE 1: 4



NOTE:

- 1.10 Sprocket hole pitch cumulative tolerance ± 0.20 .
2. Carrier camber is within 1mm in 100mm.
3. Material: black conductive polystyrene alloy.
4. Material Thickness: 0.3 ± 0.05 mm.
5. All dimensions meet EIA-481-B requirements.
6. 4000pcs Pef Reel.
7. For tape width(dim W)16 and 24mm pilot holes are provided on one sides.
For tape width(dim W)32, 44 and 56mm pilot holes are provided on both sides.



PIN NO.	W	C	PCS /REEL	REEL/CARTON	SUM(PCS)
04PIN~14PIN	16	-	4000	15	60000
16PIN~28PIN	24	-	4000	10	40000
30PIN~34PIN	32	28.4	4000	8	32000
40Pin	44	40.4	4000	6	24000

			GENERAL TOLERANCE	制 图 DRAWING	深圳市华灿天禄电子有限公司 ShenzhenhuacantianluELECTRONICS CO., LTD			
			DIM TOL	审 核 CHECK				
			X.X ± 0.30	批 准 APPROVAL	产品名称 TITLE	0.5 Pitch 1.0H ZIF 前插后掀式-包装图	版 本 REV.	A
			X.XX ± 0.20	比 例 SCALE	产品料号 PART NO.	HC-FPC-05-09-NRLTAG	单 位 UNITS	mm
			X.XXX ± 0.10	投 影 Projection	材 料 MATERIAL		页 次 SHEET	1/1
1	初版发行		Angle $\pm 3.0^{\circ}$					
序号 No.	变更内容 MODIFY CONTENT	日期 MODIFY DATE						

X-ON Electronics

Largest Supplier of Electrical and Electronic Components

Click to view similar products for [FFC & FPC Connectors](#) category:

Click to view products by [HCTL](#) manufacturer:

Other Similar products are found below :

[00-6200-227-022-800](#) [006205250500825+](#) [006205280500825+](#) [FPH-1602G](#) [52610-1275](#) [501864-3091-TR225](#) [086222026001800](#) [52610-0675](#) [62674-201121DLF](#) [62684-36210E9ALF](#) [52746-1671-TR250](#) [10051922-2810EHLF](#) [686322124422](#) [XF3M-2915-1B-R100](#) [AYF353125A](#) [AYF530665TA](#) [AYF534065TA](#) [20FLH-RSM1-TB](#) [AYF351525](#) [086212040340800+](#) [AYF530365TA](#) [67000-004LF](#) [006207341915000+](#) [207356-1](#) [67000-003LF](#) [HFW14R-2STE9LF](#) [SFW12R-5STE9LF](#) [SFW18R-1STAE9LF](#) [SFW4R-5STE9LF](#) [52807-0430](#) [046283021002868+](#) [502250-8027](#) [104267-9617](#) [66987-011LF](#) [HFW8S-2STAE1HLF](#) [67000-008LF](#) [HFW22R-2STE1H1LF](#) [0781271110](#) [0781272410](#) [0781272810](#) [5019511030](#) [FH28K-40S-0.5SH](#) [200528-0260](#) [5039084120](#) [503908-5120](#) [SFW20R-1STGE5LF](#) [FH12-18S-0.5SH](#) [686116183522](#) [686114183522](#) [502078-5362](#)