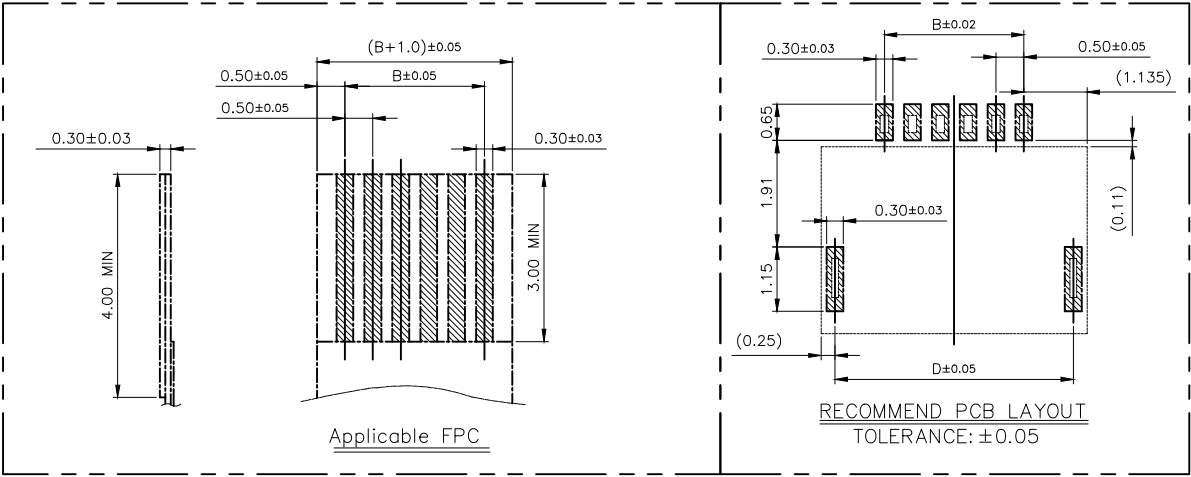
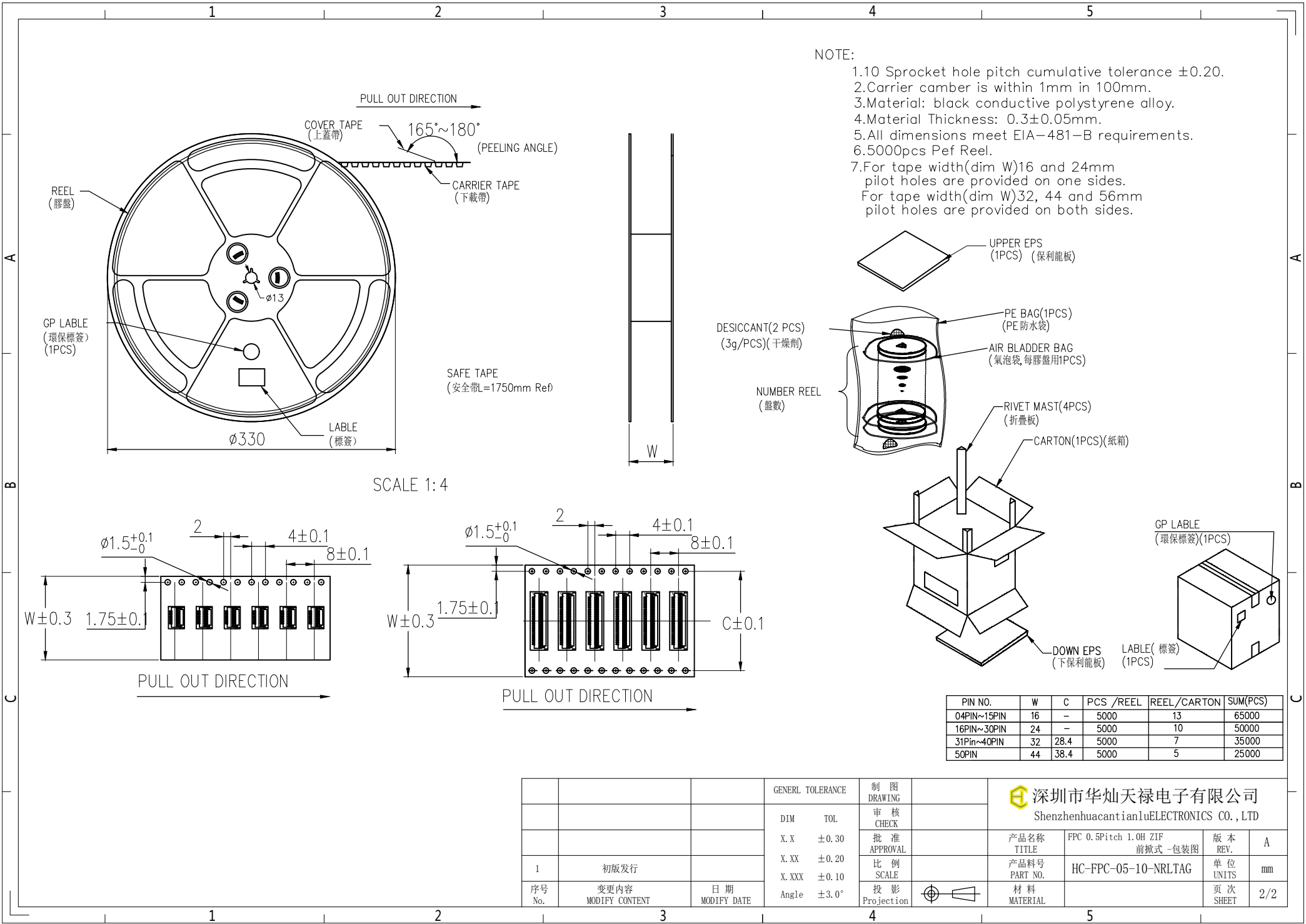


- NOTES:
- MATERIAL:  
HOUSING: HIGHT-TEMP PLASTIC,UL 94-V0,COLOR: WHITE;  
COVER: HIGHT-TEMP PLASTIC,UL 94-V0,COLOR: BROWN;  
CONTACT: COPPER ALLOY;  
LEG: COPPER ALLOY;
  - PLATING:  
CONTACT: GOLD OR TIN PLATED ON NICKEL OVERALL.  
LEG: TIN PLATED ON NICKEL OVERALL.
  - RATING:  
CURRENT RATING: 0.4A AC/DC  
VOLTAGE RATING: 50V AC/DC  
TEMPERATURE RANGE: -55°C~+85°C;
  - PART NO:

Number of Contacts	Part NO.	Dimensions mm			
		A	B	C	D
4	HC-FPC-05-10-4RLTAG	3.77	1.50	2.60	3.27
5	HC-FPC-05-10-5RLTAG	4.27	2.00	3.10	3.77
6	HC-FPC-05-10-6RLTAG	4.77	2.50	3.60	4.27
8	HC-FPC-05-10-8RLTAG	5.77	3.50	4.60	5.27
10	HC-FPC-05-10-10RLTAG	6.77	4.50	5.60	6.27
12	HC-FPC-05-10-12RLTAG	7.77	5.50	6.60	7.27
14	HC-FPC-05-10-14RLTAG	8.77	6.50	7.60	8.27
15	HC-FPC-05-10-15RLTAG	9.27	7.00	8.10	8.77
16	HC-FPC-05-10-16RLTAG	9.77	7.50	8.60	9.27
18	HC-FPC-05-10-18RLTAG	10.77	8.50	9.60	10.27
20	HC-FPC-05-10-20RLTAG	11.77	9.50	10.60	11.27
22	HC-FPC-05-10-22RLTAG	12.77	10.50	11.60	12.27
24	HC-FPC-05-10-24RLTAG	13.77	11.50	12.60	13.27
n	-----	n#0.5+1.77	(n-1)#0.5	n#0.5+0.6	n#0.5+1.27



			GENEAL TOLERANCE	制图 DRAWING	深圳市华灿天禄电子有限公司 ShenzhenhuacantianluELECTRONICS CO.,LTD			
			DIM TOL	审核 CHECK	产品名称 TITLE	FPC 0.5Pitch 1.0H ZIF	版本 REV.	A
			X.X ±0.30	批准 APPROVAL	产品料号 PART NO.	前掀式 HC-FPC-05-10-NRLTAG	单位 UNITS	mm
1	初版发行		X.XX ±0.20	比例 SCALE	材料 MATERIAL		页次 SHEET	1/2
序号 No.	变更内容 MODIFY CONTENT	日期 MODIFY DATE	X.XXX ±0.10	投影 Projection				
			Angle ±3.0°					


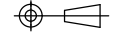


NOTE:

- 1.10 Sprocket hole pitch cumulative tolerance  $\pm 0.20$ .
- 2.Carrier camber is within 1mm in 100mm.
- 3.Material: black conductive polystyrene alloy.
- 4.Material Thickness:  $0.3 \pm 0.05$ mm.
- 5.All dimensions meet EIA-481-B requirements.
- 6.5000pcs Pef Reel.
- 7.For tape width(dim W)16 and 24mm pilot holes are provided on one sides.  
For tape width(dim W)32, 44 and 56mm pilot holes are provided on both sides.

SCALE 1: 4

PIN NO.	W	C	PCS /REEL	REEL/CARTON	SUM(PCS)
04PIN~15PIN	16	-	5000	13	65000
16PIN~30PIN	24	-	5000	10	50000
31PIN~40PIN	32	28.4	5000	7	35000
50PIN	44	38.4	5000	5	25000

			GENERAL TOLERANCE	制图 DRAWING	 <b>深圳市华灿天禄电子有限公司</b> ShenzhenhuacantianluELECTRONICS CO.,LTD			
			DIM TOL	审核 CHECK				
			X.X $\pm 0.30$	批准 APPROVAL	产品名称 TITLE	FPC 0.5Pitch 1.0H ZIF 前掀式-包装图	版本 REV.	A
			X.XX $\pm 0.20$	比例 SCALE	产品料号 PART NO.	HC-FPC-05-10-NRLTAG	单位 UNITS	mm
			X.XXX $\pm 0.10$	投影 Projection	材料 MATERIAL		页次 SHEET	2/2
1	初版发行		Angle $\pm 3.0^\circ$					
序号 No.	变更内容 MODIFY CONTENT	日期 MODIFY DATE						

## X-ON Electronics

Largest Supplier of Electrical and Electronic Components

*Click to view similar products for [FFC & FPC Connectors](#) category:*

*Click to view products by [HCTL](#) manufacturer:*

Other Similar products are found below :

[00-6200-227-022-800](#) [006205250500825+](#) [006205280500825+](#) [FPH-1602G](#) [086222026001800](#) [52610-0675](#) [62674-201121DLF](#) [52746-1671-TR250](#) [10051922-1610EHLF](#) [10051922-2810EHLF](#) [686322124422](#) [XF3M-2915-1B-R100](#) [AYF353125A](#) [AYF530665TA](#) [AYF534065TA](#) [20FLH-RSM1-TB](#) [207356-1](#) [SFW12R-5STE9LF](#) [SFW18R-1STAE9LF](#) [SFW4R-5STE9LF](#) [52807-0430](#) [046283021002868+](#) [FFC05011-10SBB114W5M](#) [502250-8027](#) [67000-008LF](#) [200528-0260](#) [FH28K-10S-0.5SH](#) [FH52K-6S-0.5SH](#) [0.5K-DX-30PWB](#) [DS1020-08-10VBT12](#) [THD0515-34CL-GF](#) [X05A10L28G](#) [ECC2841061EU](#) [1.0K-DHQX-16PWB](#) [1.0K-DHQX-30PWB](#) [1775333-6](#) [10054365-202110ELF](#) [10054365-242110ELF](#) [10054365-282110ELF](#) [10064555-392220HLF](#) [59453-041110EBHLF](#) [59453-091110EDHLF](#) [62674-241141ALF](#) [62684-432100ALF](#) [62684-451100AHLF](#) [62684-5721N0ALF](#) [HFW11R-1STE1MTLF](#) [HFW12R-1STE9LF](#) [HFW14R-1STE9MTLF](#) [HFW18S-2STE9LF](#)