



深圳市华灿天禄电子有限公司

物料承认书

SPECIFICATION FOR APPROVAL

客户名称:

Customer: _____

产品名称:

Description: _____

MX3.0插座

规格型号:

Modelno: _____

物料编号:

Cust P/N: _____

出厂签章

校 对 Issuer

审 核 Engineer

批 准 Approver

李攀进

/

罗观彬

承认签章 CUSTOMER

校 对 Issuer

审 核 Engineer

批 准 Approver

地址: 深圳市宝安区40区安乐科技创新园2号厂房B栋726

TEL:0755-27204342 FAX:0755-29785862

胡先生: 0755-27204342

Http://www.HCTLDZ.com

E-mail: jinpan.hu@hctldz.com

确认合格后烦请回签一份给我司存档, 谢谢!

Pls. sign acknowledge and re-turn document to us after confirming, thank you !

TITLE: 3.00MM PITCH MX CONNECTOR DOUBLE ROW TYPE

RELEASE DATE: 2019/07/25

REVISION: A

ECN No:

PAGE: 4 OF 15

1、Scope

适用范围

The contents of specifications for MX3.0 series connector strip including product performance test methods and inspection requirements

本规格书内容适用于 MX3.0 系列条形连接器，包含了产品的性能，试验方法和试验要求

2、APPLICABLE STANDARDS

适用的标准

- | | | |
|-----|-----------------|---|
| 2.1 | GB/T2421 | Testing method for Environmental of Electrical Connectors Class1:
General Principles
电工电子产品环境试验 第一部分 总则 |
| 2.2 | GB/T2423 | Testing method for Environmental of Electrical Connectors
电工电子产品环境试验方法 |
| 2.3 | GB/T2424 | Testing method for Environmental of Electrical Connectors
电工电子产品环境试验导则 |
| 2.4 | GB/T5095 | Testing procedure/method for components of electric equipment
电子设备用机电元件基本试验规则及测量方法 |

3、USE CONDITION

使用条件

- 3.1 Ambient temperature Range:-25 °C~+85 °C
环境温度: -25 °C~+85 °C
- 3.2 Applicable Wire Sizes: AWG #20~#28
适用线规: AWG #20~#28
- 3.3 Applicable PC board thickness:1.6mm
适用 PC 板厚度: 1.6mm

4、Appearance and Dimension

外观尺寸

- 4.1 Appearance : Product surface without defect、dirt、crack、and mechanical damage,
Contact without rust plating not oxides and not peeled
产品表面不应有对制品有害的缺陷、污垢、裂痕及机械损伤; 接触件无锈蚀、镀层氧化、脱落等现象。
- 4.2 Dimension: According to drawings
外观尺寸: 依照附图
- 4.3 Exchangeable: Exchangeable with same specification products.
互换性: 相同规格应能互换

TITLE: 3.00MM PITCH MX CONNECTOR DOUBLE ROW TYPE

RELEASE DATE: 2019/07/25

REVISION: A

ECN No:

PAGE: 5 OF 15

5、Material

材料

P/N 零件名称	Type 类型	Material 材料	Finish 表面处理	Explain 说明
Terminal 端子-PT	Contact 插簧	Phosphor bronze 锡青磷铜 厚 0.20mm	Tin plating:2-4 μ m 镀锡2-4 μ m	ROHS
Terminal 端子-PT	Contact 插簧	Phosphor bronze 锡青磷铜 厚 0.20mm	Tin plating:2-4 μ m 镀锡2-4 μ m	
Housing 孔座-P	Plastic 塑壳	Nylon66 UL94V-0	Color: Black 颜色: 黑色	
Housing 孔座-R	Plastic 塑壳	Nylon66 UL94V-0	Color: Black 颜色: 黑色	
Wafer 直针	Plastic 塑壳	Nylon66 UL94V-0	Color: Black 颜色: 黑色	
	Contact 插针	Brass 黄铜 厚口0.64mm	Tin plating:2-4 μ m 镀锡2-4 μ m	
Wafer 弯针	Plastic 塑壳	Nylon66 UL94V-0	Color: Black 颜色: 黑色	
	Contact 插针	Brass 黄铜 厚口0.64mm	Tin plating:2-4 μ m 镀锡2-4 μ m	
Wafer 贴片	Plastic 塑壳	LCP UL94V-0	Color: Black 颜色: 黑色	
	Contact 插针	Brass 黄铜 厚 0.64mm	Tin plating:2-4 μ m 镀锡2-4 μ m	
	Solder tab 焊护耳	Brass 黄铜 厚 0.45mm	Tin plating:2-4 μ m 镀锡2-4 μ m	

TITLE: 3.00MM PITCH MX CONNECTOR DOUBLE ROW TYPE

RELEASE DATE: 2019/07/25

REVISION: A

ECN No:

PAGE: 6 OF 15

Electrical Performance

电气性能

NO 序号	Item 项目	Test mode 试验方法	Requirement 技术要求
6.1	Current Rated 额定电流		5A AC DC
6.2	Voltage Rated 额定电压		600V AC DC
6.3	Contact Resistance 接触电阻	<p>A maximum voltage of 20mV and maximum current of 100mA are applied to the Mate connector</p> <p>组合状态下的连接器, 两端施以最大测试电压 20 mV 以及最大测试电流 100 mA</p> <p>Does not include wire resistance 不包含电线阻抗</p>	<p>Initial value less than 20m Ω</p> <p>初始值 ≤ 20m Ω</p>
6.4	Withstand voltage 耐电压	<p>Apply 1500V AC(rms) for 1 minute and the leakage current shall not exceed 0.5mA to the adjacent terminal and ground of the mate connectors</p> <p>组合状态下的连接器, 相邻两导体末端各施以电压 1500V AC(有效值) 时间 1 分钟, 且漏电流必须小于 0.5mA(毫安培)</p>	<p>No breakdown or flashover</p> <p>无击穿或者产生火花</p>
6.5	Insulation Resistance 绝缘电阻	<p>Apply 500V DC(rms) for 1 minute between adjacent contacts to measure the insulation resistance</p> <p>相邻两接触导体, 一分钟内施以 500V DC 电压, 测量期间的绝缘阻抗值</p>	<p>More than 1000 M Ω</p> <p>≥ 1000 M Ω</p>

TITLE: 3.00MM PITCH MX CONNECTOR DOUBLE ROW TYPE

RELEASE DATE: 2019/07/25

REVISION: A

ECN No:

PAGE: 7 OF 15

7、Mechanical Performance: (机械性能)

NO 序号	Item 项目	Test mode 试验方法		Requirement 技术要求
7.1	Terminal crimping Wire strength 端子压接导线强度	Terminal crimping wire Axial per minute to 25 ± 3mm rate of the pullout force 端子所压接电线，以每分钟25±3mm速之轴向拔出力	AWG#20wire AWG#20导线	More than 70N ≥70N
			AWG#22wire AWG#22导线	More than 50N ≥50N
			AWG#24wire AWG#24导线	More than 30N ≥30N
			AWG#26wire AWG#26导线	More than 20N ≥20N
			AWG#28wire AWG#28导线	More than 13N ≥13N
7.2	Fixed terminals And hole seat 端子与孔座固定力	The terminal and the hole seat at a react per minute to 25 ± 3mm along the write direction are pulled out from the hole in the seat capacity 端子与孔座配合以每分钟25±3mm的速度沿导线方向将端子从孔座中拔出的力	Per contact 单一接触点 More than 20N ≥20N	
7.3	Single contact insertion force 单接触插入力	The housing together with the terminal ends with wafer matched at a rate per minute to 25±3mm inserting force test 孔座连同端子与针座两端互配以每分钟25±3mm的速度作插入力测试	Less than 8N ≤8N	
7.4	Single contact Withdrawal force 单接触拔出力	The housing together with the terminal ends with wafer matched at a rate per minute to 25±3mm inserting force test 孔座连同端子与针座两端互配以每分钟25±3mm的速度作拔出力测试	More than 1N ≥1N	
7.5	Pin Retention Force pin Pin针固定力	Exerts a force on the pin end at a rate per Minute 25 ± 3mm until the needle exit Seat pull-out force 在脚端施加力以每分钟25±3mm的速度直到针退出针座的拔出力	Per contact 单一接触点 More than 10N ≥10N	

TITLE: 3.00MM PITCH MX CONNECTOR DOUBLE ROW TYPE

RELEASE DATE: 2019/07/25

REVISION: A

ECN No:

PAGE: 8 OF 15

6、Mechanical Performance:

机械性能

NO 序号	Item 项目	Test mode 试验方法	Requirement 技术要求
7.6	Durability 耐久性	Mate connectors up 30 cycles at a Maximum rate of 10 cycles per minute prior to environmental test 组合状态下的连接器且未经环境测试每 分钟内进行10次嵌入与拔出,连续30次嵌 入与拔出往返测试	Contact Resistance $\leq 30\text{m}\ \Omega$ 接触电阻 $\leq 30\text{m}\ \Omega$
7.7	Vibration 振动	Mate connector combination state of the welding circuit board as test samples the request in accordance with the following specification resistance to vibration test whether to produce discontinuous current determined during the experiment (off) phenomenon after the experiment measuring contact resistance 组合状态下的连接器焊接电路板上作为 实验样品,依照如下规格要求,进行耐震 动实验,实验过程中确定是否产生不连续 电流(断电)现象,实验过后测量接触电 阻值 Frequency (频率): 10-55-10Hz/minute Amplitude(振幅): 1.5mm p-p Direction(方向): 1、Axis of up and down 上下轴向(Y轴) 2、Axis of right the left 左右轴向(X轴) 3、Axis of front and back 前后轴向(Z 轴) Period(周期): 2hour for each direction 每一个轴向持续2小时	Appearance: No damage 外观: 无损伤 Contact Resistance $\leq 30\text{m}\ \Omega$ 接触电阻 $\leq 30\text{m}\ \Omega$ Current Discontinuity I micro second Max 电流中断: 1 μ sec Max

TITLE: 3.00MM PITCH MX CONNECTOR DOUBLE ROW TYPE

RELEASE DATE: 2019/07/25

REVISION: A

ECN No:

PAGE: 9 OF 15

8、Endurance Characteristics:

环境性能

NO 序号	Item 项目	Test mode 试验方法	Requirement 技术要求
8.1	Thermal Aging 高温老化实验	Connector combination condition is placed in the accordance with the following specifications high temperature aging test after the test and measurement of contact resistance 组合状态下的连接器放置与加热烤箱中，依照如下规格要求，进行高温老化实验，试验后并测量接触电阻值 Temperature:85±2℃ Period:96 hours continuously 温度：85±2℃ 周期：持续96小时	Appearance: No damage 外观：无损伤 Contact Resistance ≤30mΩ 接触电阻≤30mΩ
8.2	Temperature 温升	Mate connector measure the temperature rise of contact when the maximum rated current is passed 组合状态下的连接器，通过最大容许电流测量导体温度上升值	30℃ Max

TITLE: 3.00MM PITCH MX CONNECTOR DOUBLE ROW TYPE

RELEASE DATE: 2019/07/25

REVISION: A

ECN No:

PAGE: 10 OF 15

8、Endurance Characteristics:

环境性能

<p>8.3</p>	<p>Humidity 恒定潮湿</p>	<p>Connector combination under the condition of constant temperature of the following specifications constant temperature and humidity test after the experiment measuring contact resistance insulation resistance and withstand voltage test 组合状态下的连接器放置恒定温度的湿气空间，依照如下规格要求，进行恒温恒湿实验，实验过后测量接触电阻、绝缘电阻以及耐电压测试 Temperature:40±2℃ (温度: 40±2℃) Relative humidity:90-95 % (RH 相对湿度: :90-95 %) Period:96 hours continuously(周期: 持续96小时)</p>	<p>Appearance: No damage 外观: 无损伤 Contact Resistance ≤30m Ω 接触电阻≤30m Ω Insulation Resistance ≥500m Ω 绝缘电阻: ≥500m Ω No breakdown or flashover 无击穿或者产生火花</p>
<p>8.4</p>	<p>Temperature cycling 温度循环</p>	<p>The combined state of connectors as test samples in accordance with the requirements of the following specifications thermal shock test after the test measuring contact resistance insulation resistance and resistance to voltage 组合状态下的连接器作为实验样品，依照如下规格要求进行冷热冲击实验，试验后测量接触电阻、绝缘电阻、以及耐电压测试 One cycle consists of -55±3℃ 30min,room temp 10-15min 85±3℃ 30min,room temp 10-15min Total cycle :5cycle -55±3℃ 30分钟，放置转换时间10-15分钟 85±3℃ 30分钟，放置转换时间10-15分钟 循环次数: 5次</p>	<p>Same as paragraph 8.3 同8.3章节</p>

TITLE: 3.00MM PITCH MX CONNECTOR DOUBLE ROW TYPE

RELEASE DATE: 2019/07/25

REVISION: A

ECN No:

PAGE: 11 OF 15

8、Endurance Characteristics:

环境性能

NO 序号	Item 项目	Test mode 试验方法	Requirement 技术要求
8.5	Salt spray 盐雾	<p>The combined state of connector as test samples salt spray test according to the following specifications test samples will be clean again with the water to dry naturally measurement of contact resistance</p> <p>组合状态下的连接器作为实验样品,依照如下规格要求进行盐水喷雾实验,实验后将样品用清水冲干净自然晾干 测量接触电阻值</p> <p>Temperature :35± 3 °C Solution:5+ 1 % Period: Stamping after tin plated for 8 hours Stamping before tin plated for 24 hours</p> <p>温度: 35± 3 °C 浓度: 5+ 1 % 周期: 先电镀后冲压8小时 先冲压后电镀24小时(接触区)</p>	<p>Appearance NO damage 外观: 无损伤</p> <p>Contact Resistance ≤30m Ω 接触电阻≤30m Ω</p>
8.6	Solder ability 可焊性	<p>In accordance with the following specifications were placed tin soldering test 放置锡炉中依照如下规格进行焊锡实验</p> <p>Solder temperature :245 ± 5 °C Immersion period:3 ± 0.5S 焊锡温度: 245± 5 °C 沉浸周期: 3± 0.5S</p>	<p>Area of soldering: ≥90 % 焊锡面积: ≥90 %</p>

TITLE: 3.00MM PITCH MX CONNECTOR DOUBLE ROW TYPE

RELEASE DATE:2019/07/25

REVISION: A

ECN No:

PAGE: 12 OF 15

8、Endurance Characteristics:

环境性能

NO 序号	Item 项目	Test mode 试验方法	Requirement 技术要求
8.7	Resistance to soldering heat 耐焊接热	<p>Annual soldering tin process Soldering time:3 ± 0.5S Soldering pot :305 ± 5 °C 手工烙铁焊锡工艺 焊接时间: 3 ± 0.5S 焊接温度: 305 ± 5 °C</p> <p>Mode of operation: 操作方式: Position DIP type needle solder conductor or a fixed piece at the end of the 1.5mm distance DIP 型针座焊锡位置, 距离导体或固定片 末端1.5mm</p> <p>Position SMT type needle solder conductor or a fixed piece at the end of the 0.5mm distance SMT 型 针座焊锡位置, 距离导体或固定 片末端0.5mm</p> <p>Wave soldering tin soldering process Soldering time : 5 ± 0.5S Soldering pot: 230 ± 5 °C 焊接时间: 5 ± 0.5S 焊接温度: 230 ± 5 °C</p>	<p>Appearance NO damage 外观: 无损伤</p>

TITLE: 3.00MM PITCH MX CONNECTOR DOUBLE ROW TYPE

RELEASE DATE:2019/07/25

REVISION: A

ECN No:

PAGE: 13 OF 15

8、Endurance Characteristics:

环境性能

NO 序号	Item 项目	Test mode 试验方法	Requirement 技术要求
8.7	Resistance to soldering heat 耐焊接热	Reflow soldering process Soldering time 20 S Max. Soldering pot: 255 ± 5 °C 回流焊焊锡工艺 焊接时间: 20S 最大 焊接温度: 255±5 °C Please refer to the 9.1solder reflow temperature curve 回流焊请参考9.1温度曲线图	Appearance NO damage 外观: 无损伤

TITLE: 3.00MM PITCH MX CONNECTOR DOUBLE ROW TYPE

RELEASE DATE: 2019/07/25

REVISION: A

ECN No:

PAGE:14 OF 15

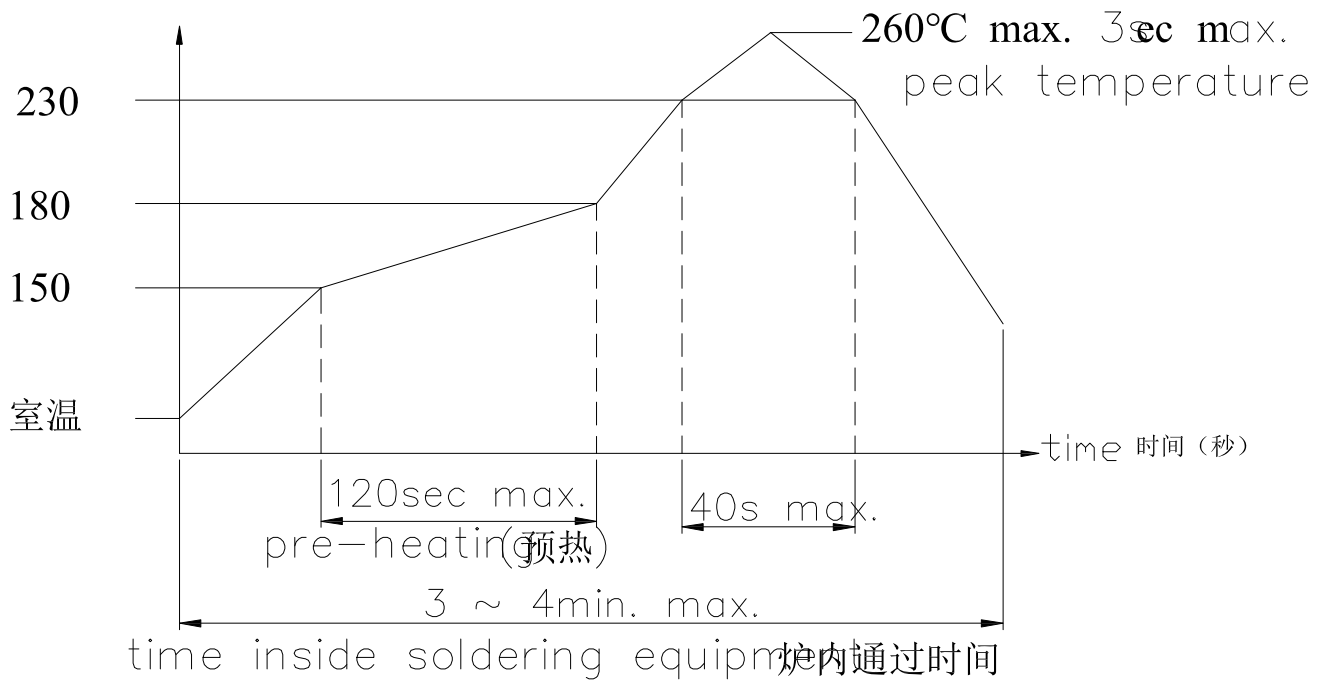
9、The reflow temperature curve

回流焊温度曲线

9.1 SMT lead-free process temperature curve

SMT 无铅工艺温度曲线

surface of product temperature



10、Caution

注意事项

10.1 plastic because of characteristics with water after package is opened should avoid exposure to the temperature is higher than 30 °C humidity is higher than 60 %RH in the environment and in the 24 hours after all after use to prevent subsequent reflow wave soldering process to produce foaming phenomenon of deformation

塑料应具有吸水之特性包装拆封后应避免暴露于，高温于 30 °C，湿度高于 60 %RH 的环境中，并在封后 24 小时内全数使用完毕，防止后续回流焊、波峰焊制程产生起泡变形现象

TITLE: 3.00MM PITCH MX CONNECTOR DOUBLE ROW TYPE

RELEASE DATE: 2019/07/25

REVISION: A

ECN No:

PAGE: 15 OF 15

11、 Packaging Transportation Storage

包装、运输、储存

11.1 Packaging

包装

(1) Terminal within the Packaging for disc loading material Packaging plastic shell packaging for plastic has seat plates tubes mounted (paste) into the certificate indicate the product name specifications quantity production date and other information

端子内包装为盘装带料包装、胶壳内包装为塑料带，针座包装为盘装，袋装，(贴)装入合格证,注明产品名称、规格型号、数量、出货日期等信息。

(2) Exterior package is carton facing the packing list the packing list marked with product name specification model quantity date of dispatch

外包装为纸箱，贴装箱单，装箱单上注明产品名称、规格型号、数量、出货日期

(3) The product in the box must not rock

产品在箱内不晃动

11.2 Transportation

运输

Any vehicle can be adopted for the transportation but moisture-proof and no mechanical damage Transport temperature to $-20^{\circ}\text{C} \sim +50^{\circ}\text{C}$

允许用任何方式运输，但须避免雨雪直淋和阳光照射。不能有碰撞和挤压等机械损伤，运输环境温度为 $-20^{\circ}\text{C} \sim +50^{\circ}\text{C}$

11.3 Storage

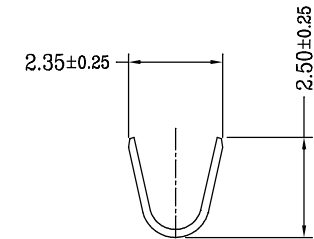
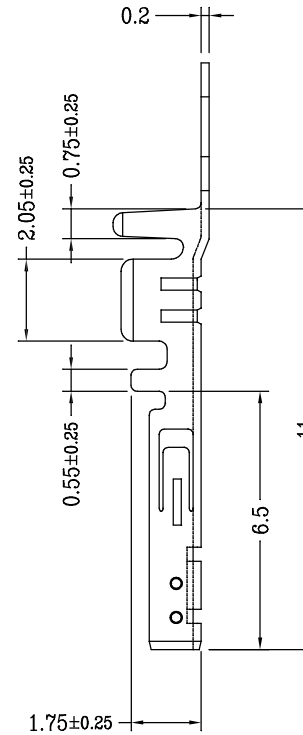
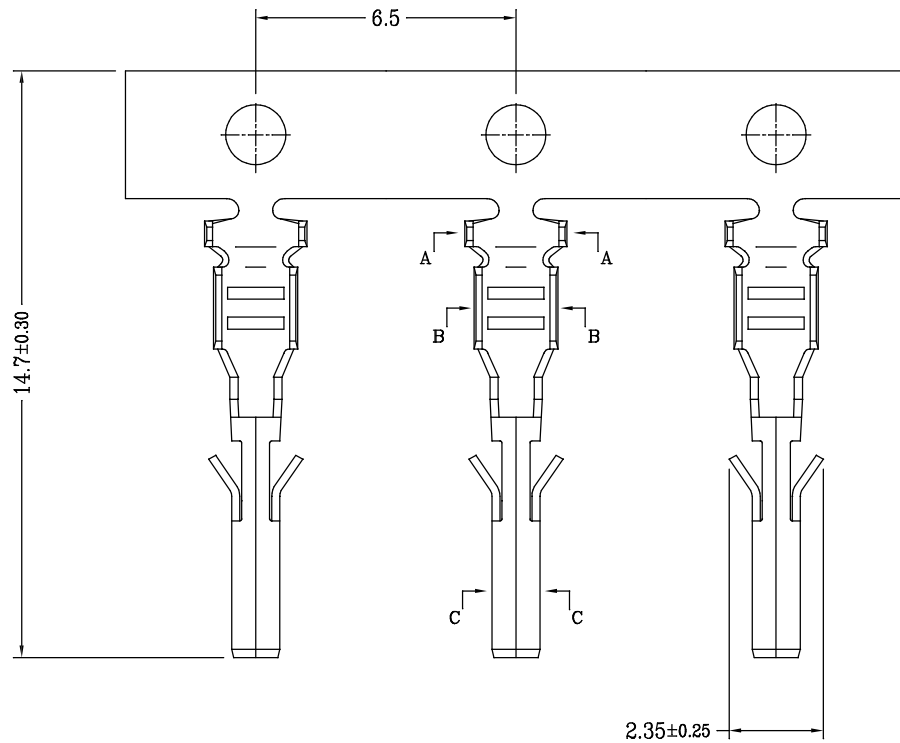
贮存

(1) The connector of packing finished should be in the ambient temperature between -20°C to $+40^{\circ}\text{C}$ relative humidity $\leq 80\%$ to store in storehouse air and other corrosive gas in the ambient air

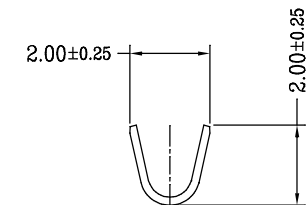
包装完毕的连接器应在环境温度为 $-20^{\circ}\text{C} \sim +40^{\circ}\text{C}$ ，相对湿度 $\leq 80\%$ ，周围空气中没有酸性，碱性及其它腐蚀性气体的库房中贮存

(2) Re-qualification test shall be conducted immediately while the storing duration exceed 6 mouths

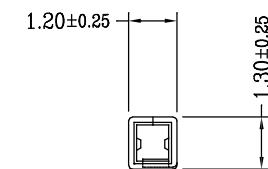
贮存期为6个月，超期6个月需从新检查



SEC:A-A



SEC:B-B



SEC:C-C

SPECIFICATIONS

Rated Current:5.0AMP


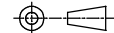
Voltage rating:250V AC,DC

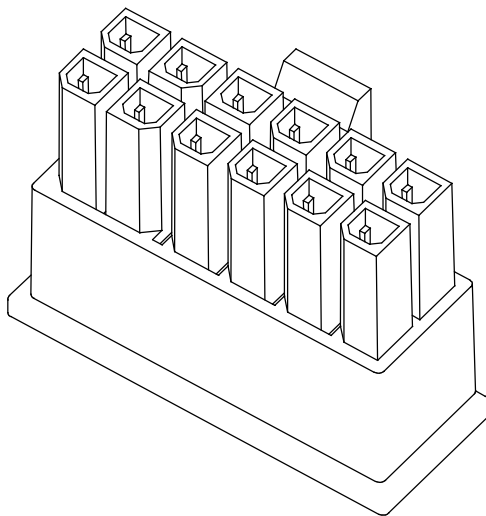
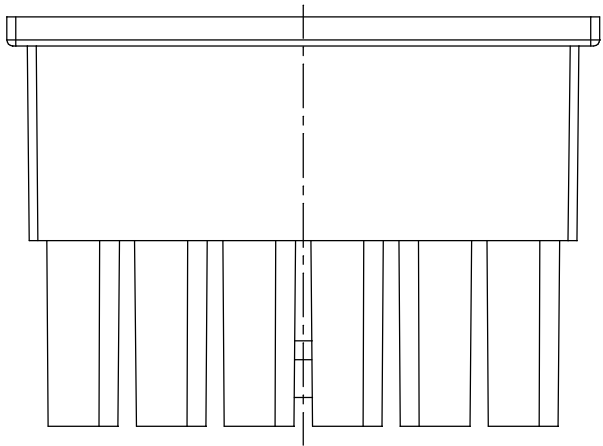
Contact Resistance:20mΩ Max

Withstand Voltage:1500V AC/Minute

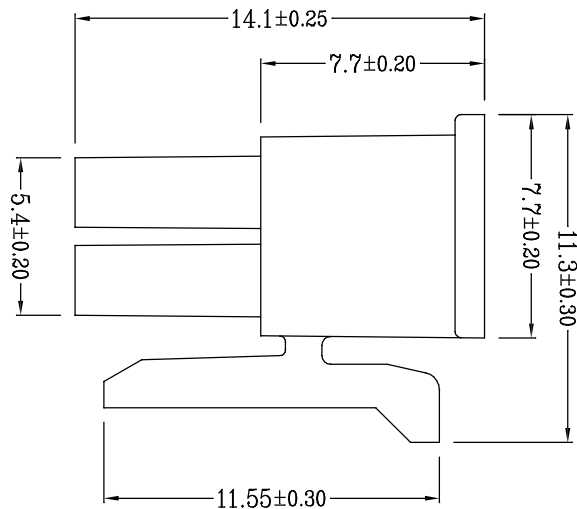
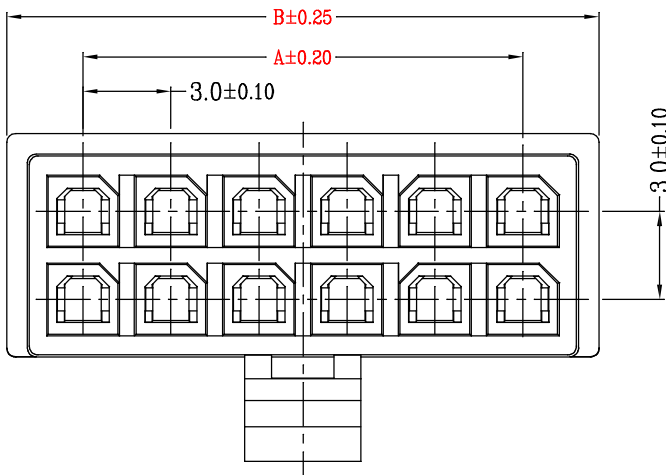
Insulation Resistance:1000MΩ Min

Operation Temperature:-40°C to + 85°C


			GENERAL TOLERANCE	制图 DRAWING	 深圳市华灿天禄电子有限公司 ShenzhenhuaciantianluELECTRONICS CO.,LTD				
			DIM TOL	审核 CHECK					
			X.X ±0.30	批准 APPROVAL		产品名称 TITLE	MX3.0公头端子	版本 REV.	A
1	初版发行		X.XX ±0.20	比例 SCALE		产品料号 PART NO.	HC-MX3.0-T	单位 UNITS	mm
序号 No.	变更内容 MODIFY CONTENT	日期 MODIFY DATE	X.XXX ±0.10	投影 Projection		产品图号 Drawing NO.		页次 SHEET	1/2
			Angle ±3.0°						

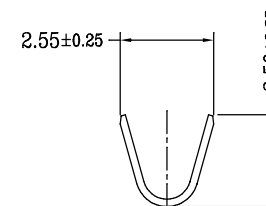
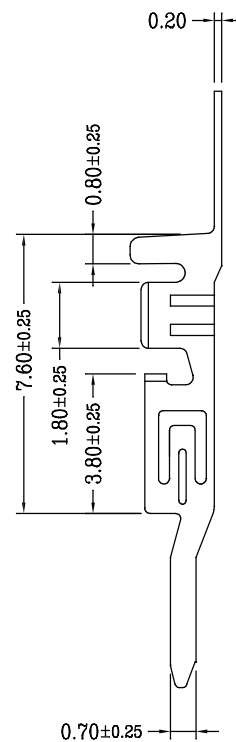
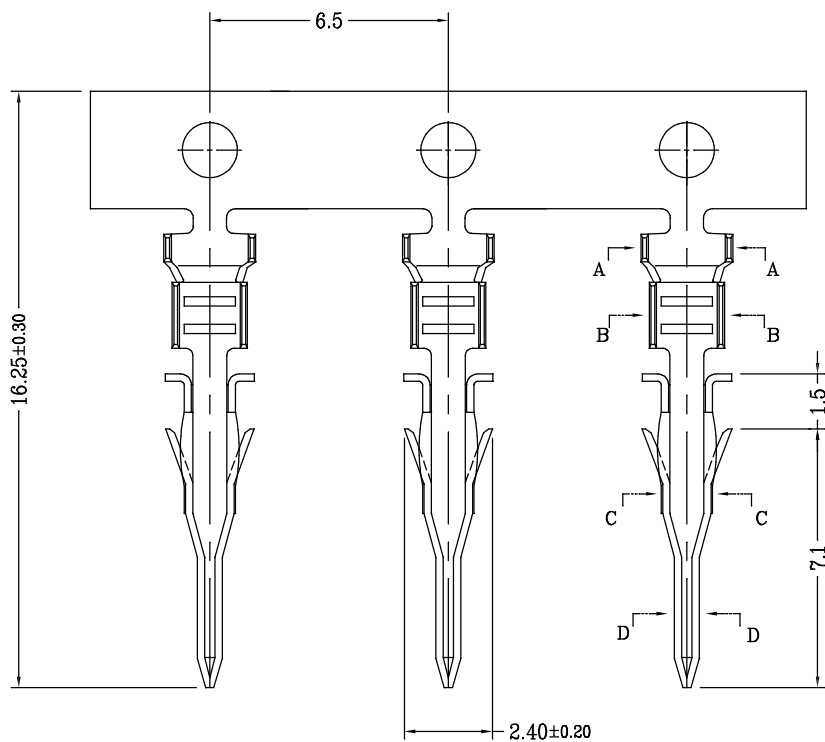


SPECIFICATIONS
 Rated Current:5.0AMP
 Voltage rating:250V AC,DC
 Contact Resistance:20mΩ Max
 Withstand Voltage:1500V AC/Minute
 Insulation Resistance:1000MΩ Min
 Operation Temperature:-40°c to +85°c

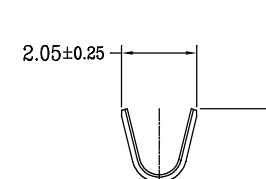


Circuit	Part NO.	Dimensions mm	
		A	B
2x1	HC-MX3.0-2x1Y	—	5.20
2x2	HC-MX3.0-2x2Y	3.00	8.20
2x3	HC-MX3.0-2x3Y	6.00	11.20
2x4	HC-MX3.0-2x4Y	9.00	14.20
2x5	HC-MX3.0-2x5Y	12.00	17.20
2x6	HC-MX3.0-2x6Y	15.00	20.20
2x7	HC-MX3.0-2x7Y	18.00	23.20
2x8	HC-MX3.0-2x8Y	21.00	26.20
2x9	HC-MX3.0-2x9Y	24.00	29.20
2x10	HC-MX3.0-2x10Y	27.00	32.20
2x11	HC-MX3.0-2x11Y	30.00	35.20
2x12	HC-MX3.0-2x12Y	33.00	38.20

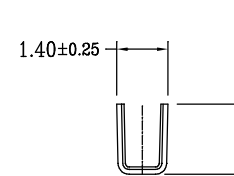
			GENERAL TOLERANCE	制图 DRAWING	 深圳市华灿天禄电子有限公司 ShenzhenhuacantianluELECTRONICS CO.,LTD			
			DIM TOL	审核 CHECK				
			X.X ±0.30	批准 APPROVAL	产品名称 TITLE	MX3.0双排公头胶壳	版本 REV.	A
			X.XX ±0.20	比例 SCALE	产品料号 PART NO.	HC-MX3.0-2X Y	单位 UNITS	mm
			X.XXX ±0.10	投影 Projection	产品图号 Drawing NO.		页次 SHEET	1/2
			Angle ±3.0°					
1	初版发行							
序号 No.	变更内容 MODIFY CONTENT	日期 MODIFY DATE						



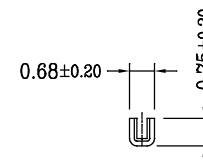
SEC:A-A



SEC:B-B



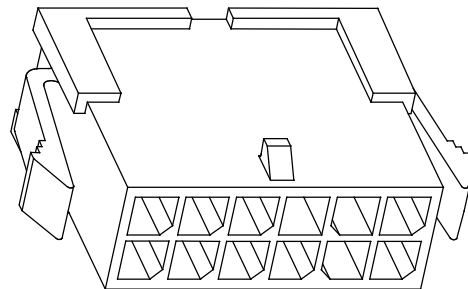
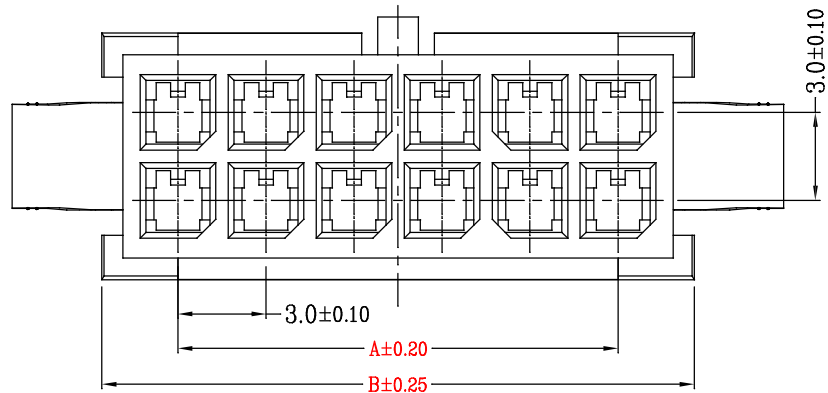
SEC:C-C



SEC:D-D

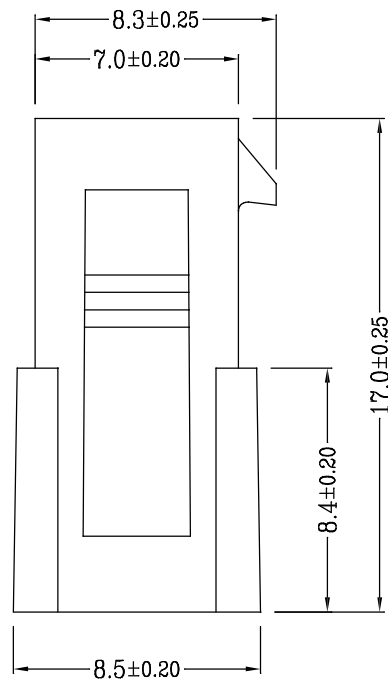
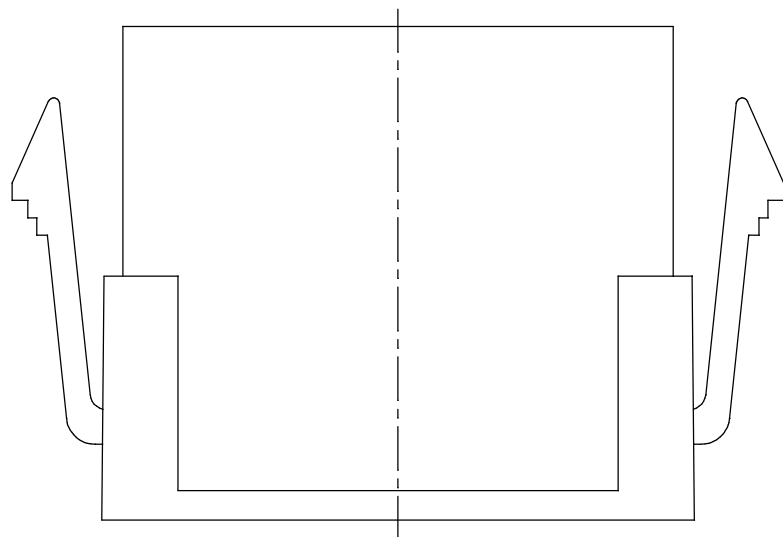
SPECIFICATIONS
 Rated Current:5.0AMP
 Voltage rating:250V AC,DC
 Contact Resistance:20mΩ Max
 Withstand Voltage:1500V AC/Minute
 Insulation Resistance:1000MΩ Min
 Operation Temperature:-40°C to +85°C

			GENERAL TOLERANCE	制图 DRAWING	深圳市华灿天禄电子有限公司 ShenzhenhuacantianluELECTRONICS CO.,LTD			
			DIM TOL	审核 CHECK	产品名称 TITLE	MX3.0母座端子	版本 REV.	A
			X.X ±0.30	批准 APPROVAL	产品料号 PART NO.	HC-MX3.0-PT	单位 UNITS	mm
1	初版发行		X.XX ±0.20	比例 SCALE	产品图号 Drawing NO.		页次 SHEET	1/2
序号 No.	变更内容 MODIFY CONTENT	日期 MODIFY DATE	X.XXX ±0.10	投影 Projection				
			Angle ±3.0°					


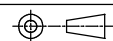


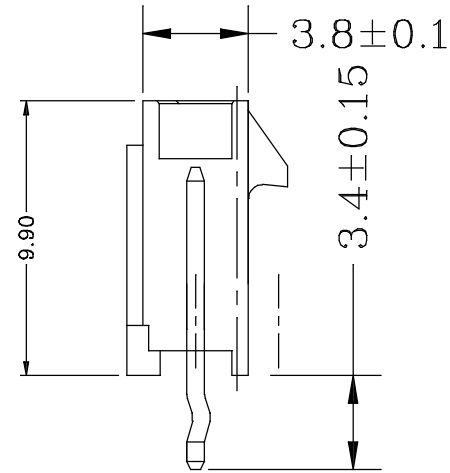
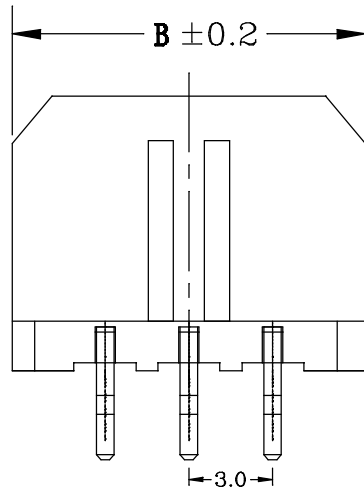
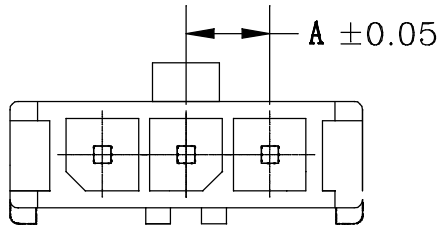
SPECIFICATIONS

Rated Current:5.0AMP
 Voltage rating:250V AC,DC
 Contact Resistance:20mΩ Max
 Withstand Voltage:1500V AC/Minute
 Insulation Resistance:1000MΩ Min
 Operation Temperature:-40°c to + 85°c



Circuit	Part NO.	Dimensions mm	
		A	B
2x1	HC-MX3.0-2x1EY	—	5.30
2x2	HC-MX3.0-2x2EY	3.00	8.30
2x3	HC-MX3.0-2x3EY	6.00	11.30
2x4	HC-MX3.0-2x4EY	9.00	14.30
2x5	HC-MX3.0-2x5EY	12.00	17.30
2x6	HC-MX3.0-2x6EY	15.00	20.30
2x7	HC-MX3.0-2x7EY	18.00	23.30
2x8	HC-MX3.0-2x8EY	21.00	26.30
2x9	HC-MX3.0-2x9EY	24.00	29.30
2x10	HC-MX3.0-2x10EY	27.00	32.30
2x11	HC-MX3.0-2x11EY	30.00	35.30
2x12	HC-MX3.0-2x12EY	33.00	38.30

			GENERAL TOLERANCE	制图 DRAWING	 深圳市华灿天禄电子有限公司 ShenzhenhuacantianluELECTRONICS CO.,LTD			
			DIM TOL	审核 CHECK				
			X.X ±0.30	批准 APPROVAL	产品名称 TITLE	MX3.0双排母座胶壳	版本 REV.	A
			X.XX ±0.20	比例 SCALE	产品料号 PART NO.	HC-MX3.0-2X EY	单位 UNITS	mm
1	初版发行		X.XXX ±0.10	投影 Projection	产品图号 Drawing NO.		页次 SHEET	1/2
序号 No.	变更内容 MODIFY CONTENT	日期 MODIFY DATE	Angle ±3.0°					


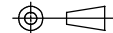


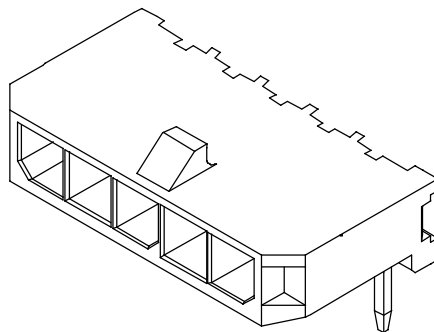
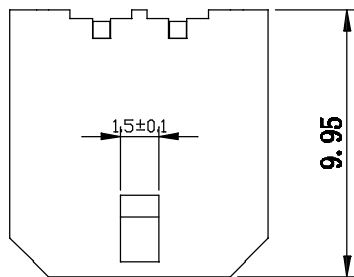
SPECIFICATIONS

Rated Current:5.0AMP
 Voltage rating:250V AC,DC
 Contact Resistance:20mΩ Max
 Withstand Voltage:1500V AC/Minute
 Insulation Resistance:1000MΩ Min
 Operation Temperature:-40°c to +85°c

Contact Material:Brass
 Contact Plating:Tin Over Ni
 Solder Tabs Material:Brass / Tin-plated
 Insulator Material:Polyester(UL94V-0)
 Standard: Nylon66
 Max.Processing Temp: 230°C for 30-60 seconds
 (260°C for 5 seconds)

Poles	Part NO.	Dimensions mm	
		A	B
2	HC-MX3.0-2A	3.00	9.65
3	HC-MX3.0-3A	6.00	12.65
4	HC-MX3.0-4A	9.00	15.65
5	HC-MX3.0-5A	12.00	18.65
6	HC-MX3.0-6A	15.00	21.65
7	HC-MX3.0-7A	18.00	24.65
8	HC-MX3.0-8A	21.00	27.65
9	HC-MX3.0-9A	24.00	30.65
10	HC-MX3.0-10A	27.00	33.65
11	HC-MX3.0-11A	30.00	36.65
12	HC-MX3.0-12A	33.00	39.65

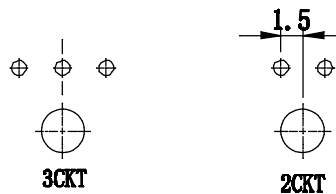
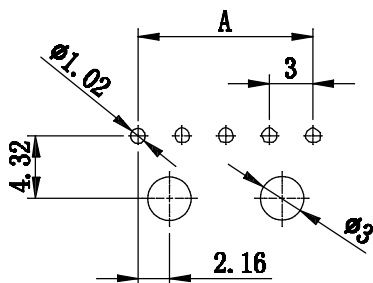
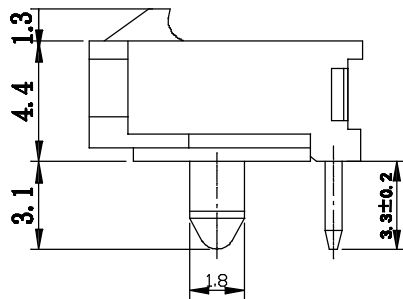
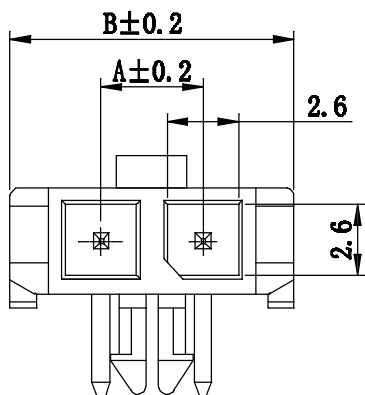
			GENERAL TOLERANCE		制 图 DRAWING		 深圳市华灿天禄电子有限公司 ShenzhenhuacantianluELECTRONICS CO.,LTD				
			DIM	TOL	审 核 CHECK		产 品 名 称 TITLE		版 本 REV.		
			>0-3	±0.12	批 准 APPROVAL		MX3.0插座		A		
			>3-18	±0.15	比 例 SCALE		产 品 料 号 PART		单 位 UNITS		
			>18-50	±0.30	投 影 Projection		HC-MX3.0-NA		mm		
			>50-120	±0.5			产 品 图 号 Drawing NO.		页 次 SHEET		
1	初版发行	日期									
序号 No.	变更内容 MODIFY CONTENT	日期 MODIFY DATE									



SPECIFICATIONS

Rated Current:5.0AMP
 Voltage rating:250V AC,DC
 Contact Resistance:20mΩ Max
 Withstand Voltage:1500V AC/Minute
 Insulation Resistance:1000MΩ Min
 Operation Temperature:-40°C to + 85°C

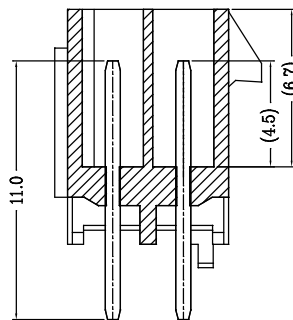
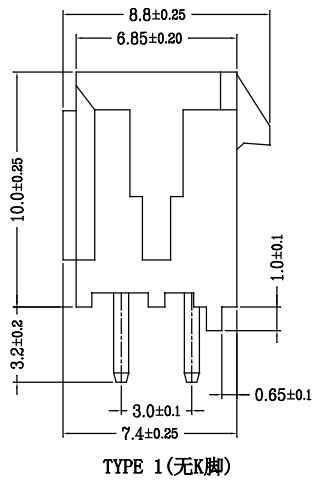
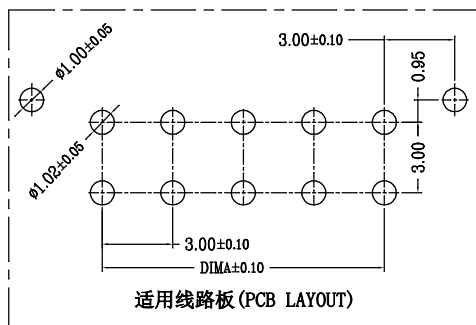
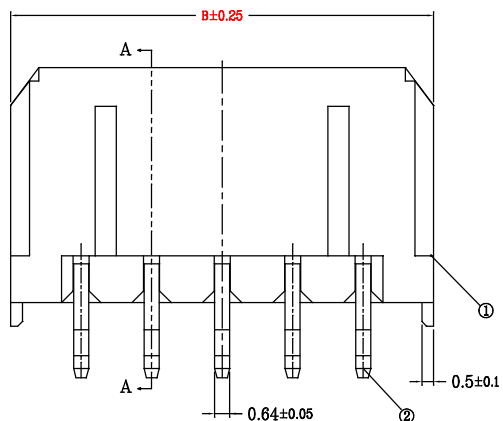
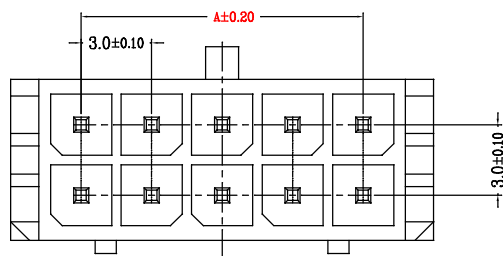
Contact Material:Brass
 Contact Plating:Tin Over Ni
 Solder Tabs Material:Brass / Tin-plated
 Insulator Material:Polyester(UL94V-0)
 Standard: Nylon66
 Max.Processing Temp: 230°C for 30-60 seconds
 (260°C for 5 seconds)



Poles	Part NO.	Dimensions mm	
		A	B
2	HC-MX3.0-2A	3.00	9.65
3	HC-MX3.0-3A	6.00	12.65
4	HC-MX3.0-4A	9.00	15.65
5	HC-MX3.0-5A	12.00	18.65
6	HC-MX3.0-6A	15.00	21.65
7	HC-MX3.0-7A	18.00	24.65
8	HC-MX3.0-8A	21.00	27.65
9	HC-MX3.0-9A	24.00	30.65
10	HC-MX3.0-10A	27.00	33.65
11	HC-MX3.0-11A	30.00	36.65
12	HC-MX3.0-12A	33.00	39.65

P. C. B LAYOUT

			GENERAL TOLERANCE	制图 DRAWING	深圳市华灿天禄电子有限公司 ShenzhenhuacantianluELECTRONICS CO.,LTD			
			DIM TOL	审核 CHECK				
			>0-3 ±0.12	批准 APPROVAL	产品名称 TITLE	MX3.0插座	版本 REV.	A
			>3-18 ±0.15	比例 SCALE	产品料号 PART	HC-MX3.0-NAW	单位 UNITS	mm
			>18-50 ±0.30	投影 Projection	产图号 Drawing NO.		页次 SHEET	1/1
1	初版发行		>50-120 ±0.5					
序号 No.	变更内容 MODIFY CONTENT	日期 MODIFY DATE						



SECTION A-A

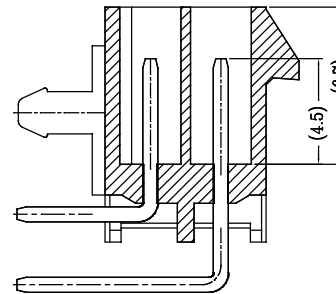
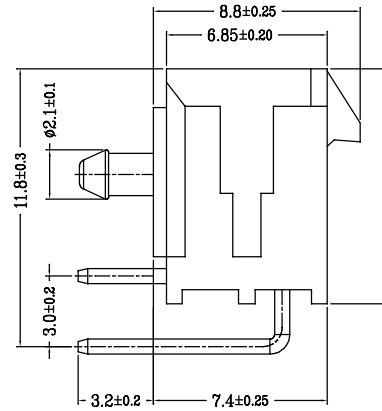
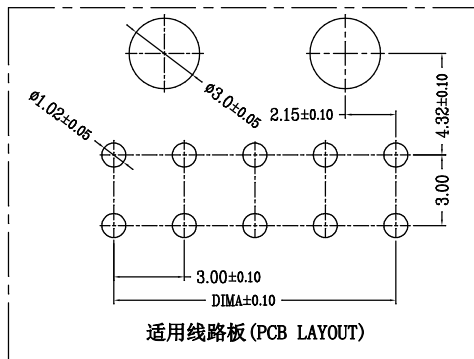
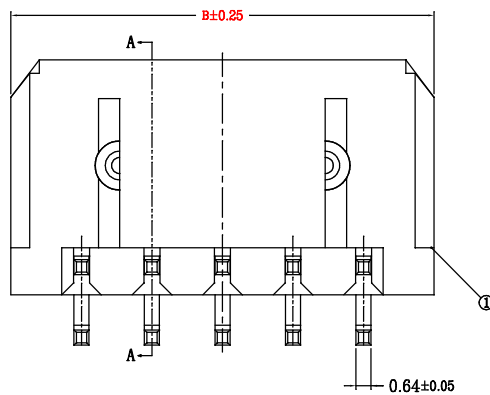
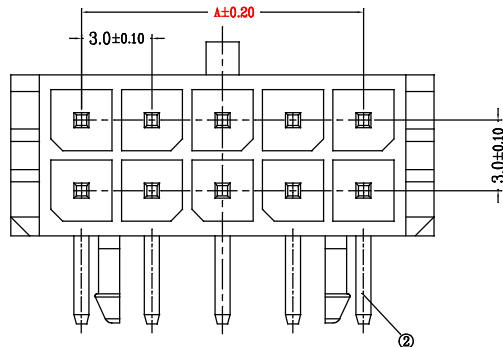
SPECIFICATIONS

Rated Current:5.0AMP
 Voltage rating:250V AC,DC
 Contact Resistance:20mΩ Max
 Withstand Voltage:1500V AC/Minute
 Insulation Resistance:1000MΩ Min
 Operation Temperature:-40°C to +85°C

Contact Material:Brass
 Contact Plating:Tin Over Ni
 Solder Tabs Material:Brass / Tin-plated
 Insulator Material:Polyester(UL94V-0)
 Standard: Nylon66
 Max.Processing Temp: 230°C for 30-60 seconds
 (260°C for 5 seconds)

Circuit	Part NO.	Dimensions mm	
		A	B
2x1P	HC-MX3.0-2x1A	—	6.00
2x2P	HC-MX3.0-2x2A	3.00	9.00
2x3P	HC-MX3.0-2x3A	6.00	12.00
2x4P	HC-MX3.0-2x4A	9.00	15.00
2x5P	HC-MX3.0-2x5A	12.00	18.00
2x6P	HC-MX3.0-2x6A	15.00	21.00
2x7P	HC-MX3.0-2x7A	18.00	24.00
2x8P	HC-MX3.0-2x8A	21.00	27.00
2x9P	HC-MX3.0-2x9A	24.00	30.00
2x10P	HC-MX3.0-2x10A	27.00	33.00
2x11P	HC-MX3.0-2x11A	30.00	36.00
2x12P	HC-MX3.0-2x12A	33.00	39.00

			GENERAL TOLERANCE	制图 DRAWING	深圳市华灿天禄电子有限公司 ShenzhenhuaciantianluELECTRONICS CO.,LTD			
			DIM TOL	审核 CHECK				
			X.X ±0.30	批准 APPROVAL	产品名称 TITLE		版本 REV.	A
			X.XX ±0.20	比例 SCALE	产品料号 PART NO.	HC-MX3.0-2X A	单位 UNITS	mm
			X.XXX ±0.10	投影 Projection	产品图号 Drawing NO.		页次 SHEET	1/2
			Angle ±3.0°					
1	初版发行							
序号 No.	变更内容 MODIFY CONTENT	日期 MODIFY DATE						



SECTION A-A

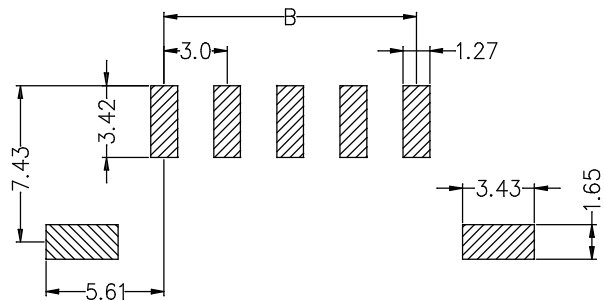
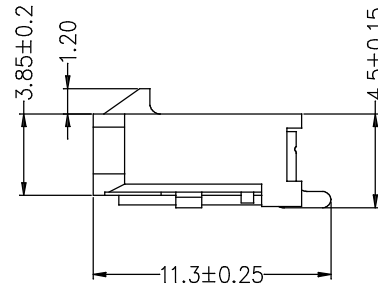
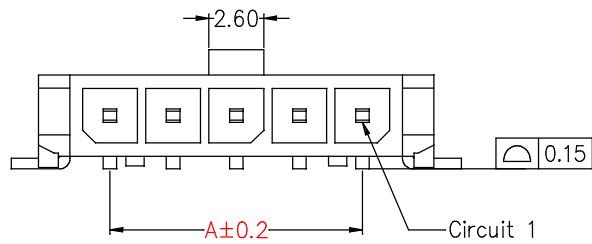
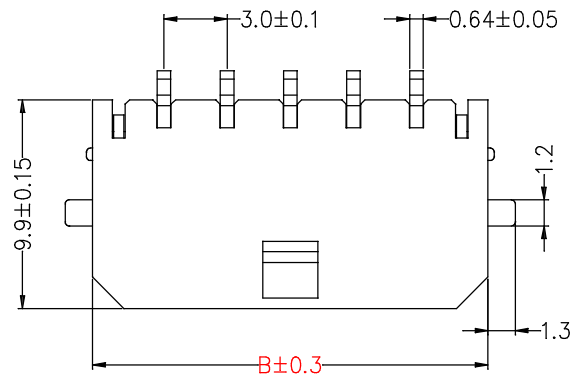
SPECIFICATIONS

Rated Current:5.0AMP
 Voltage rating:250V AC,DC
 Contact Resistance:20mΩ Max
 Withstand Voltage:1500V AC/Minute
 Insulation Resistance:1000MΩ Min
 Operation Temperature:-40°C to + 85°C

Contact Material:Brass
 Contact Plating:Tin Over Ni
 Solder Tabs Material:Brass / Tin-plated
 Insulator Material:Polyester(UL94V-0)
 Standard: Nylon66
 Max.Processing Temp: 230°C for 30-60 seconds
 (260°C for 5 seconds)

Circuit	Part NO.	Dimensions mm	
		A	B
2x1P	HC-MX3.0-2x1AW	—	6.00
2x2P	HC-MX3.0-2x2AW	3.00	9.00
2x3P	HC-MX3.0-2x3AW	6.00	12.00
2x4P	HC-MX3.0-2x4AW	9.00	15.00
2x5P	HC-MX3.0-2x5AW	12.00	18.00
2x6P	HC-MX3.0-2x6AW	15.00	21.00
2x7P	HC-MX3.0-2x7AW	18.00	24.00
2x8P	HC-MX3.0-2x8AW	21.00	27.00
2x9P	HC-MX3.0-2x9AW	24.00	30.00
2x10P	HC-MX3.0-2x10AW	27.00	33.00
2x11P	HC-MX3.0-2x11AW	30.00	36.00
2x12P	HC-MX3.0-2x12AW	33.00	39.00

		GENERAL TOLERANCE		制图 DRAWING	深圳市华灿天禄电子有限公司 ShenzhenhuaciantianluELECTRONICS CO.,LTD			
		DIM	TOL	审核 CHECK				
		X.X	±0.30	批准 APPROVAL	产品名称 TITLE		版本 REV.	A
		X.XX	±0.20	比例 SCALE	产品料号 PART NO.	HC-MX3.0-2X AW	单位 UNITS	mm
1	初版发行		X.XXX ±0.10	投影 Projection	产品图号 Drawing NO.		页次 SHEET	1/2
序号 No.	变更内容 MODIFY CONTENT	日期 MODIFY DATE	Angle ±3.0°					



Recommended P.C.B Layout(Top Side)
(PCB BOARD TOLERANCE±0.05)

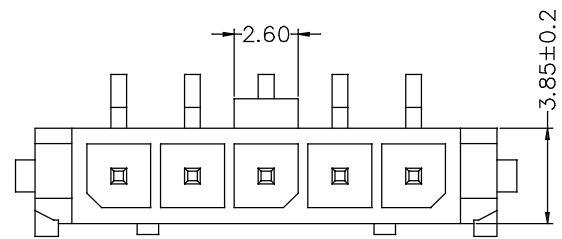
SPECIFICATIONS

Rated Current:5.0AMP
Voltage rating:250V AC,DC
Contact Resistance:20mΩ Max
Withstand Voltage:1500V AC/Minute
Insulation Resistance:1000MΩ Min
Operation Temperature:-40°c to +85°c

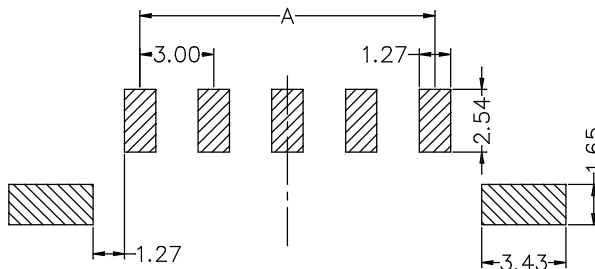
Contact Material:Brass
Contact Plating:Tin Over Ni
Solder Tabs Material:Brass / Tin-plated
Insulator Material:Polyester(UL94V-0)
Standard: LCP
Max.Processing Temp: 230°C for 30-60 seconds
(260°C for 10 seconds)

Circuit	Part NO.	Dimensions mm	
		A	B
2	HC-MX3.0-2AWT	3.00	9.65
3	HC-MX3.0-3AWT	6.00	12.65
4	HC-MX3.0-4AWT	9.00	15.65
5	HC-MX3.0-5AWT	12.00	18.65
6	HC-MX3.0-6AWT	15.00	21.65
7	HC-MX3.0-7AWT	18.00	24.65
8	HC-MX3.0-8AWT	21.00	27.65
9	HC-MX3.0-9AWT	24.00	30.65
10	HC-MX3.0-10AWT	27.00	33.65
11	HC-MX3.0-11AWT	30.00	36.65
12	HC-MX3.0-12AWT	33.00	39.65

			GENERAL TOLERANCE	制图 DRAWING	深圳市华灿天禄电子有限公司 ShenzhenhuacantianluELECTRONICS CO.,LTD				
			DIM TOL	审核 CHECK					
			X.X ±0.30	批准 APPROVAL	产品名称 TITLE			版本 REV.	A
			X.XX ±0.20	比例 SCALE	产品料号 PART NO.	HC-MX3.0-AWT		单位 UNITS	mm
			X.XXX ±0.10	投影 Projection	产品图号 Drawing NO.			页次 SHEET	1/2
			Angle ±3.0°						
1	初版发行								
序号 No.	变更内容 MODIFY CONTENT	日期 MODIFY DATE							

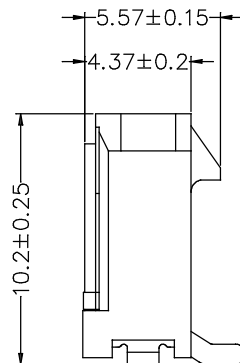
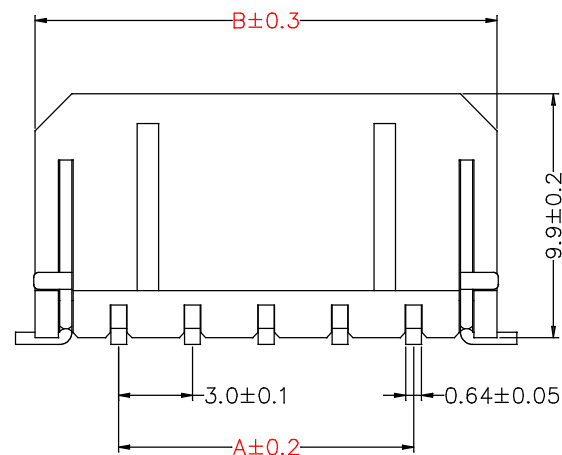


Recommended P.C.B Layout(Top Side)
(PCB BOARD TOLERANCE±0.05)



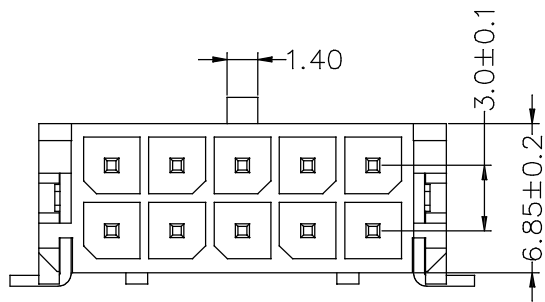
SPECIFICATIONS
 Rated Current:5.0AMP
 Voltage rating:250V AC,DC
 Contact Resistance:20mΩ Max
 Withstand Voltage:1500V AC/Minute
 Insulation Resistance:1000MΩ Min
 Operation Temperature:-40°c to + 85°c

Contact Material:Brass
 Contact Plating:Tin Over Ni
 Solder Tabs Material:Brass / Tin-plated
 Insulator Material:Polyester(UL94V-0)
 Standard: LCP
 Max.Processing Temp: 230°C for 30-60 seconds
 (260°C for 10 seconds)

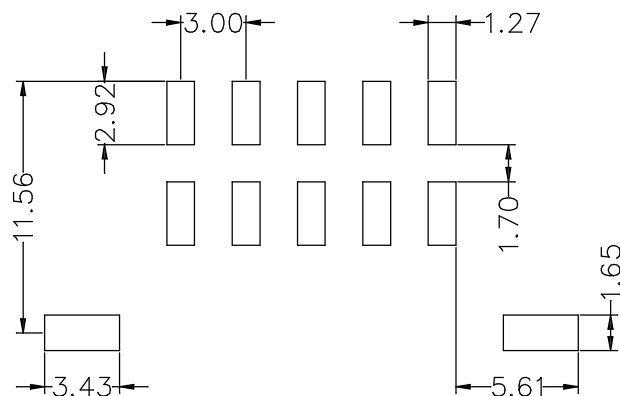


Circuit	Part NO.	Dimensions mm	
		A	B
2	HC-MX3.0-2ALT	3.00	9.65
3	HC-MX3.0-3ALT	6.00	12.65
4	HC-MX3.0-4ALT	9.00	15.65
5	HC-MX3.0-5ALT	12.00	18.65
6	HC-MX3.0-6ALT	15.00	21.65
7	HC-MX3.0-7ALT	18.00	24.65
8	HC-MX3.0-8ALT	21.00	27.65
9	HC-MX3.0-9ALT	24.00	30.65
10	HC-MX3.0-10ALT	27.00	33.65
11	HC-MX3.0-11ALT	30.00	36.65
12	HC-MX3.0-12ALT	33.00	39.65

			GENERAL TOLERANCE	制图 DRAWING	深圳市华灿天禄电子有限公司 ShenzhenhuacantianluELECTRONICS CO.,LTD			
			DIM TOL	审核 CHECK				
			X.X ±0.30	批准 APPROVAL	产品名称 TITLE		版本 REV.	A
			X.XX ±0.20	比例 SCALE	产品料号 PART NO.	HC-MX3.0-ALT	单位 UNITS	mm
			X.XXX ±0.10	投影 Projection	产品图号 Drawing NO.		页次 SHEET	1/2
1	初版发行		Angle ±3.0°					
序号 No.	变更内容 MODIFY CONTENT	日期 MODIFY DATE						



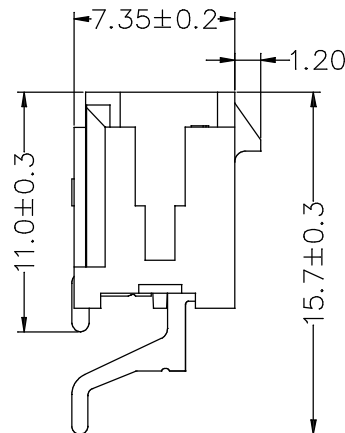
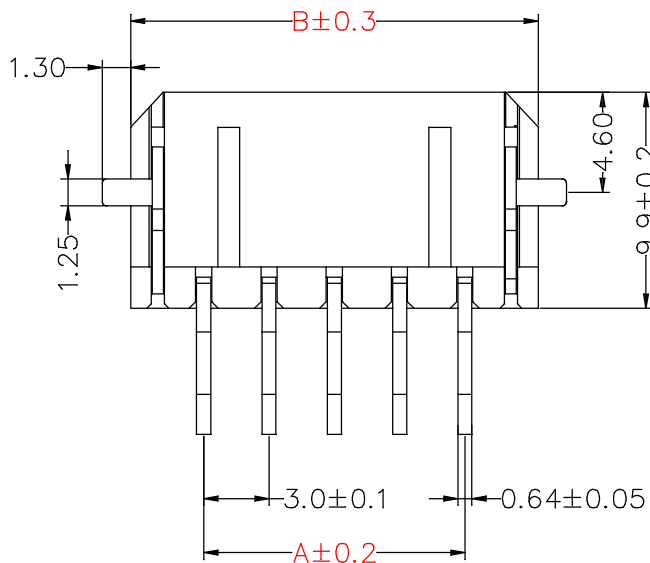
Recommended P.C.B Layout(Top Side)



SPECIFICATIONS

Rated Current:5.0AMP
 Voltage rating:250V AC,DC
 Contact Resistance:20mΩ Max
 Withstand Voltage:1500V AC/Minute
 Insulation Resistance:1000MΩ Min
 Operation Temperature:-40°c to +85°c

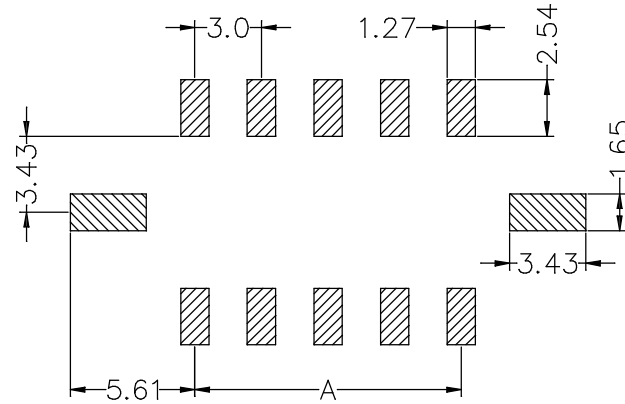
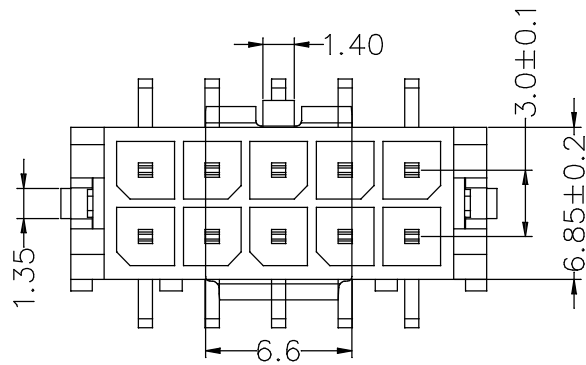
Contact Material:Brass
 Contact Plating:Tin Over Ni
 Solder Tabs Material:Brass / Tin-plated
 Insulator Material:Polyester(UL94V-0)
 Standard: LCP
 Max.Processing Temp: 230°C for 30-60 seconds
 (260°C for 10 seconds)



Circuit	Part NO.	Dimensions mm	
		A	B
2x1P	HC-MX3.0-2x1AWT	—	6.65
2x2P	HC-MX3.0-2x2AWT	3.00	9.65
2x3P	HC-MX3.0-2x3AWT	6.00	12.65
2x4P	HC-MX3.0-2x4AWT	9.00	15.65
2x5P	HC-MX3.0-2x5AWT	12.00	18.65
2x6P	HC-MX3.0-2x6AWT	15.00	21.65
2x7P	HC-MX3.0-2x7AWT	18.00	24.65
2x8P	HC-MX3.0-2x8AWT	21.00	27.65
2x9P	HC-MX3.0-2x9AWT	24.00	30.65
2x10P	HC-MX3.0-2x10AWT	27.00	33.65
2x11P	HC-MX3.0-2x11AWT	30.00	36.65
2x12P	HC-MX3.0-2x12AWT	33.00	39.65

			GENERAL TOLERANCE	制图 DRAWING	深圳市华灿天禄电子有限公司 ShenzhenhuaciantianluELECTRONICS CO.,LTD			
			DIM TOL	审核 CHECK	产品名称 TITLE		版本 REV.	A
			X.X ±0.30	批准 APPROVAL	产品料号 PART NO.		单位 UNITS	mm
1	初版发行		X.XX ±0.20	比例 SCALE	HC-MX3.0-2X AWT		产品图号 Drawing NO.	1/1
序号 No.	变更内容 MODIFY CONTENT	日期 MODIFY DATE	X.XXX ±0.10	投影 Projection			页次 SHEET	
			Angle ±3.0°					

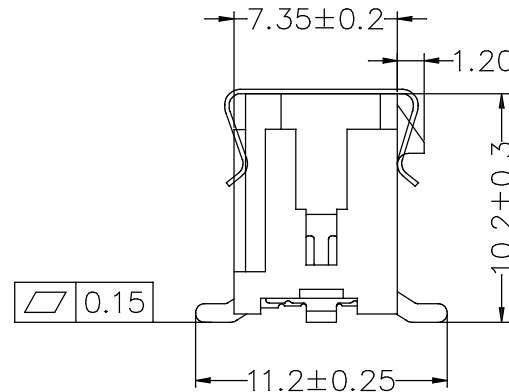
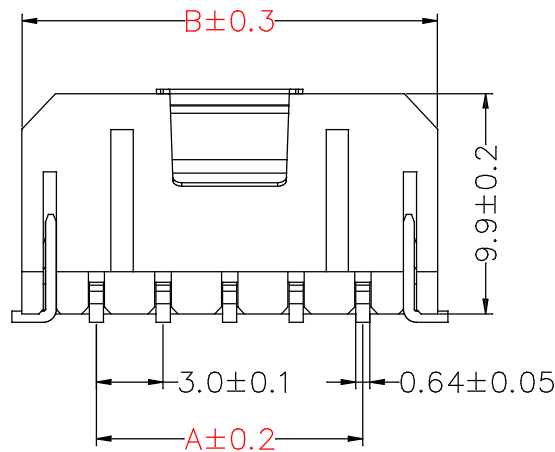
Recommended P.C.B Layout(Top Side)



SPECIFICATIONS

Rated Current:5.0AMP
 Voltage rating:250V AC,DC
 Contact Resistance:20mΩ Max
 Withstand Voltage:1500V AC/Minute
 Insulation Resistance:1000MΩ Min
 Operation Temperature:-40°c to +105°c

Contact Material:Brass
 Contact Plating:Tin Over Ni
 Solder Tabs Material:Brass / Tin-plated
 Insulator Material:Polyester(UL94V-0)
 Standard: LCP
 Max.Processing Temp: 230°C for 30-60 seconds
 (260°C for 10 seconds)



Circuit	Part NO.	Dimensions mm	
		A	B
2x2P	HC-MX3.0-2x2ALT	3.00	9.65
2x3P	HC-MX3.0-2x3ALT	6.00	12.65
2x4P	HC-MX3.0-2x4ALT	9.00	15.65
2x5P	HC-MX3.0-2x5ALT	12.00	18.65
2x6P	HC-MX3.0-2x6ALT	15.00	21.65
2x7P	HC-MX3.0-2x7ALT	18.00	24.65
2x8P	HC-MX3.0-2x8ALT	21.00	27.65
2x9P	HC-MX3.0-2x9ALT	24.00	30.65
2x10P	HC-MX3.0-2x10ALT	27.00	33.65
2x11P	HC-MX3.0-2x11ALT	30.00	36.65
2x12P	HC-MX3.0-2x12ALT	33.00	39.65

			GENERAL TOLERANCE	制图 DRAWING	深圳市华灿天禄电子有限公司 ShenzhenhuacantianluELECTRONICS CO.,LTD			
			DIM TOL	审核 CHECK	产品名称 TITLE		版本 REV.	A
			X.X ±0.30	批准 APPROVAL	产品料号 PART NO.		单位 UNITS	mm
1	初版发行		X.XX ±0.20	比例 SCALE	HC-MX3.0-2X ALT		产品图号 Drawing NO.	1/2
序号 No.	变更内容 MODIFY CONTENT	日期 MODIFY DATE	X.XXX ±0.10	投影 Projection			页次 SHEET	
			Angle ±3.0°					

X-ON Electronics

Largest Supplier of Electrical and Electronic Components

Click to view similar products for [Headers & Wire Housings](#) category:

Click to view products by [HCTL](#) manufacturer:

Other Similar products are found below :

[57102-F02-18ULF](#) [58102-G61-06LF](#) [582553-1](#) [009176003701906](#) [01.001.5753.1](#) [0050291907](#) [02.125.8002.8](#) [609-3404](#) [61062-3](#)
[CSU011177004](#) [622-0430](#) [622-3653LF](#) [63453-116](#) [636-1030](#) [636-1427](#) [636-3427](#) [636-4007](#) [641938-9](#) [65495-038](#) [65692-001LF](#) [65781-018](#)
[65781-047](#) [65817-010LF](#) [65817-015LF](#) [66207-023LF](#) [67095-007LF](#) [67601157](#) [68631-112](#) [68645-018](#) [699319-000](#) [M90C108951C](#)
[70.362.1628.0](#) [70-4210](#) [70-4226B](#) [70-4853B](#) [707-5028](#) [71.350.2428.0](#) [71961-016LF](#) [733-134](#) [733-162](#) [754199-000](#) [760-3052](#) [80.063.4001.1](#)
[800-90-001-10-001000](#) [800-90-010-10-002000](#) [801-43-002-10-013000](#) [801-43-006-10-002000](#) [803-41-018-10-001000](#) [803-43-024-10-](#)
[001000](#) [803-93-012-10-001000](#)