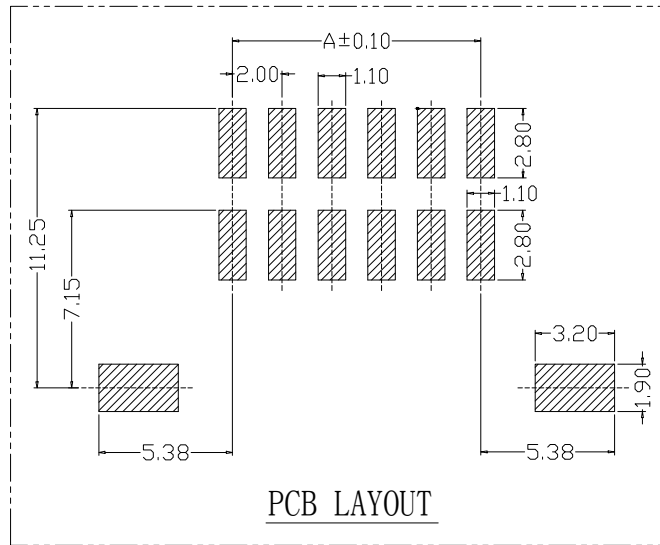
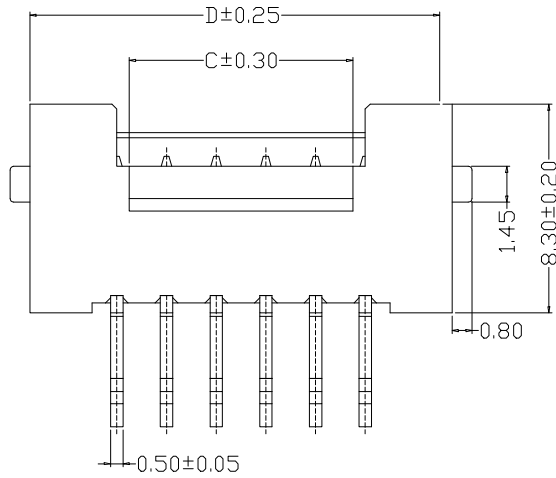
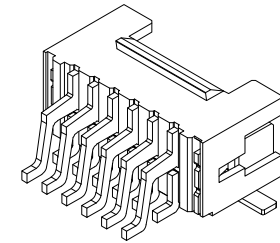
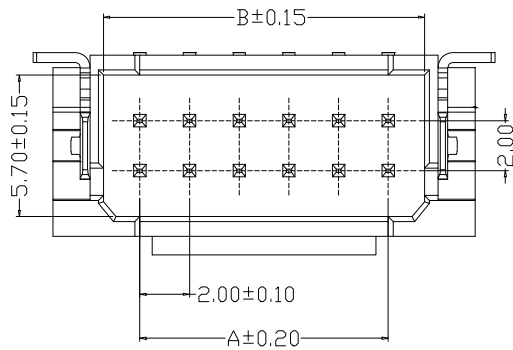


SPECIFICATIONS

- 1、Current Rating: 3A AC, DC
- 2、Voltage Rating: 250V AC, DC
- 3、Temperatuer Range: -25℃~ +85℃
- 4、Contact Resistance: 20mΩ Max
- 5、Insulation Resistance: 1000mΩ Min
- 6、Withstanding Voltang: 800V AC/minute
- 7、Material: Wafer Nylon66 UL94-V0  
PIN Brass Tin-plated



| Circuit | Part NO.       | Dimensions mm |       |       |       |
|---------|----------------|---------------|-------|-------|-------|
|         |                | A             | B     | C     | D     |
| 2       | HC-PHB-2x2AWT  | 2.00          | 4.90  | 3.00  | 9.00  |
| 3       | HC-PHB-2x3AWT  | 4.00          | 6.90  | 3.00  | 11.00 |
| 4       | HC-PHB-2x4AWT  | 6.00          | 8.90  | 3.00  | 13.00 |
| 5       | HC-PHB-2x5AWT  | 8.00          | 10.90 | 5.00  | 15.00 |
| 6       | HC-PHB-2x6AWT  | 10.00         | 12.90 | 7.00  | 17.00 |
| 7       | HC-PHB-2x7AWT  | 12.00         | 14.90 | 9.00  | 19.00 |
| 8       | HC-PHB-2x8AWT  | 14.00         | 16.90 | 11.00 | 21.00 |
| 9       | HC-PHB-2x9AWT  | 16.00         | 18.90 | 13.00 | 23.00 |
| 10      | HC-PHB-2x10AWT | 18.00         | 20.90 | 15.00 | 25.00 |
| 11      | HC-PHB-2x11AWT | 20.00         | 22.90 | 17.00 | 27.00 |
| 12      | HC-PHB-2x12AWT | 22.00         | 24.90 | 19.00 | 29.00 |
| 13      | HC-PHB-2x13AWT | 24.00         | 26.90 | 21.00 | 31.00 |
| 14      | HC-PHB-2x14AWT | 26.00         | 28.90 | 23.00 | 33.00 |
| 15      | HC-PHB-2x15AWT | 28.00         | 30.90 | 25.00 | 35.00 |
| 16      | HC-PHB-2x16AWT | 30.00         | 32.90 | 27.00 | 37.00 |
| 17      | HC-PHB-2x17AWT | 32.00         | 34.90 | 29.00 | 39.00 |
| 18      | HC-PHB-2x18AWT | 34.00         | 36.90 | 31.00 | 41.00 |
| 19      | HC-PHB-2x19AWT | 36.00         | 38.90 | 33.00 | 43.00 |
| 20      | HC-PHB-2x20AWT | 38.00         | 40.90 | 35.00 | 45.00 |



|           |                        |                   | GENERAL TOLERANCE |       | 制图<br>DRAWING    |  |  |  |  |
|-----------|------------------------|-------------------|-------------------|-------|------------------|--|--|--|--|
|           |                        |                   | DIM               | TOL   | 审核<br>CHECK      |  |  |  |  |
|           |                        |                   | X.X               | ±0.30 | 批准<br>APPROVAL   |  |  |  |  |
|           |                        |                   | X.XX              | ±0.20 | 比例<br>SCALE      |  |  |  |  |
|           |                        |                   | X.XXX             | ±0.10 | 投影<br>Projection |  |  |  |  |
| 序号<br>No. | 变更内容<br>MODIFY CONTENT | 日期<br>MODIFY DATE | Angle             | ±3.0° |                  |  |  |  |  |


**深圳市华灿天禄电子有限公司**  
 ShenzhenhuacantianluELECTRONICS CO.,LTD

|                  |                |             |     |
|------------------|----------------|-------------|-----|
| 产品名称<br>TITLE    | PHB (2.0) 双排卧贴 | 版本<br>REV.  | A   |
| 产品料号<br>PART NO. | HC-PHB-2xNAWT  | 单位<br>UNITS | mm  |
| 材料<br>MATERIAL   |                | 页次<br>SHEET | 1/1 |

## X-ON Electronics

Largest Supplier of Electrical and Electronic Components

*Click to view similar products for [Headers & Wire Housings](#) category:*

*Click to view products by [HCTL](#) manufacturer:*

Other Similar products are found below :

[57102-F02-18ULF](#) [58102-G61-06LF](#) [582553-1](#) [009176003701906](#) [01.001.5753.1](#) [0050291907](#) [02.125.8002.8](#) [609-3404](#) [61062-3](#)  
[CSU011177004](#) [622-0430](#) [622-3653LF](#) [63453-116](#) [636-1030](#) [636-1427](#) [636-3427](#) [636-4007](#) [641938-9](#) [644827-2](#) [65495-038](#) [65692-001LF](#)  
[65781-018](#) [65781-047](#) [65817-010LF](#) [65817-015LF](#) [66207-023LF](#) [67095-007LF](#) [67601157](#) [68631-112](#) [68645-018](#) [699319-000](#)  
[M90C108951C](#) [70.362.1628.0](#) [70-4210](#) [70-4226B](#) [70-4853B](#) [707-5028](#) [71.350.2428.0](#) [71961-016LF](#) [733-134](#) [733-162](#) [754199-000](#) [760-](#)  
[3052](#) [80.063.4001.1](#) [800-90-001-10-001000](#) [800-90-010-10-002000](#) [801-43-002-10-013000](#) [801-43-006-10-002000](#) [803-41-018-10-001000](#)  
[803-43-024-10-001000](#)