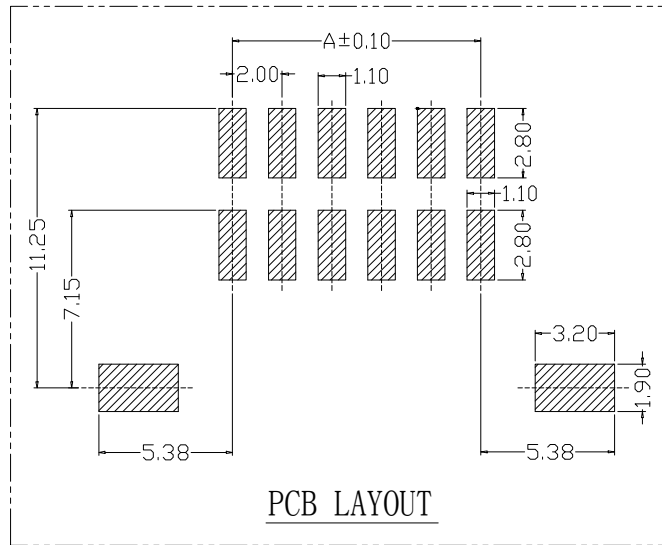
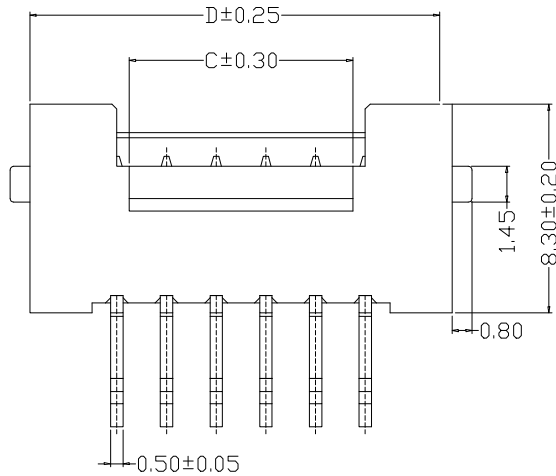
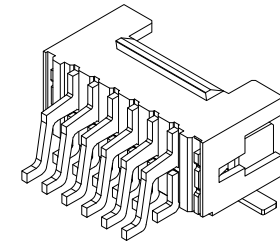
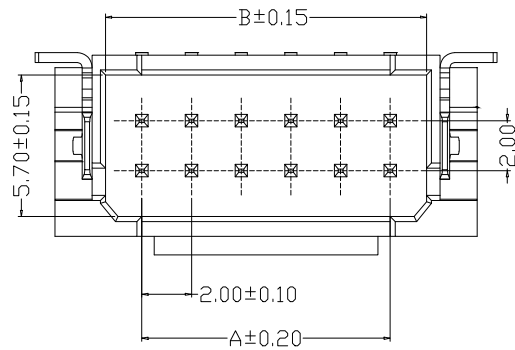


SPECIFICATIONS

- 1、Current Rating: 3A AC, DC
- 2、Voltage Rating: 250V AC, DC
- 3、Temperatuer Range: -25℃~ +85℃
- 4、Contact Resistance: 20mΩ Max
- 5、Insulation Resistance: 1000mΩ Min
- 6、Withstanding Voltang: 800V AC/minute
- 7、Material: Wafer Nylon66 UL94-V0
PIN Brass Tin-plated



| Circuit | Part NO. | Dimensions mm | | | |
|---------|----------------|---------------|-------|-------|-------|
| | | A | B | C | D |
| 2 | HC-PHB-2x2AWT | 2.00 | 4.90 | 3.00 | 9.00 |
| 3 | HC-PHB-2x3AWT | 4.00 | 6.90 | 3.00 | 11.00 |
| 4 | HC-PHB-2x4AWT | 6.00 | 8.90 | 3.00 | 13.00 |
| 5 | HC-PHB-2x5AWT | 8.00 | 10.90 | 5.00 | 15.00 |
| 6 | HC-PHB-2x6AWT | 10.00 | 12.90 | 7.00 | 17.00 |
| 7 | HC-PHB-2x7AWT | 12.00 | 14.90 | 9.00 | 19.00 |
| 8 | HC-PHB-2x8AWT | 14.00 | 16.90 | 11.00 | 21.00 |
| 9 | HC-PHB-2x9AWT | 16.00 | 18.90 | 13.00 | 23.00 |
| 10 | HC-PHB-2x10AWT | 18.00 | 20.90 | 15.00 | 25.00 |
| 11 | HC-PHB-2x11AWT | 20.00 | 22.90 | 17.00 | 27.00 |
| 12 | HC-PHB-2x12AWT | 22.00 | 24.90 | 19.00 | 29.00 |
| 13 | HC-PHB-2x13AWT | 24.00 | 26.90 | 21.00 | 31.00 |
| 14 | HC-PHB-2x14AWT | 26.00 | 28.90 | 23.00 | 33.00 |
| 15 | HC-PHB-2x15AWT | 28.00 | 30.90 | 25.00 | 35.00 |
| 16 | HC-PHB-2x16AWT | 30.00 | 32.90 | 27.00 | 37.00 |
| 17 | HC-PHB-2x17AWT | 32.00 | 34.90 | 29.00 | 39.00 |
| 18 | HC-PHB-2x18AWT | 34.00 | 36.90 | 31.00 | 41.00 |
| 19 | HC-PHB-2x19AWT | 36.00 | 38.90 | 33.00 | 43.00 |
| 20 | HC-PHB-2x20AWT | 38.00 | 40.90 | 35.00 | 45.00 |



| | | | GENERAL TOLERANCE | | 制图 DRAWING | | | | |
|-----------|------------------------|-------------------|-------------------|-------|------------------|--|--|--|--|
| | | | DIM | TOL | 审核 CHECK | | | | |
| | | | X.X | ±0.30 | 批准 APPROVAL | | | | |
| | | | X.XX | ±0.20 | 比例 SCALE | | | | |
| | | | X.XXX | ±0.10 | 投影 Projection | | | | |
| 序号 No. | 变更内容 MODIFY CONTENT | 日期 MODIFY DATE | Angle | ±3.0° | | | | | |


深圳市华灿天禄电子有限公司
 ShenzhenhuacantianluELECTRONICS CO.,LTD

| | | | |
|------------------|----------------|-------------|-----|
| 产品名称 TITLE | PHB (2.0) 双排卧贴 | 版本 REV. | A |
| 产品料号 PART NO. | HC-PHB-2xNAWT | 单位 UNITS | mm |
| 材料 MATERIAL | | 页次 SHEET | 1/1 |

X-ON Electronics

Largest Supplier of Electrical and Electronic Components

Click to view similar products for [Headers & Wire Housings](#) category:

Click to view products by [HCTL](#) manufacturer:

Other Similar products are found below :

[57102-F02-18ULF](#) [58102-G61-06LF](#) [582553-1](#) [009176003701906](#) [01.001.5753.1](#) [0050291907](#) [02.125.8002.8](#) [609-3404](#) [61062-3](#)
[CSU011177004](#) [622-0430](#) [622-3653LF](#) [63453-116](#) [636-1030](#) [636-1427](#) [636-3427](#) [636-4007](#) [641938-9](#) [644827-2](#) [65495-038](#) [65692-001LF](#)
[65781-018](#) [65781-047](#) [65817-010LF](#) [65817-015LF](#) [66207-023LF](#) [67095-007LF](#) [67601157](#) [68631-112](#) [68645-018](#) [699319-000](#)
[M90C108951C](#) [70.362.1628.0](#) [70-4210](#) [70-4226B](#) [70-4853B](#) [707-5028](#) [71.350.2428.0](#) [71961-016LF](#) [733-134](#) [733-162](#) [754199-000](#) [760-](#)
[3052](#) [80.063.4001.1](#) [800-90-001-10-001000](#) [800-90-010-10-002000](#) [801-43-002-10-013000](#) [801-43-006-10-002000](#) [803-41-018-10-001000](#)
[803-43-024-10-001000](#)