

Notes:

1. Material:

Contact: High Performance Copper Alloy
 Shielding Cover: High Performance Copper Alloy
 Housing: High Temperature Thermoplastic.

2. Finish:

Contact: 30u" Nickel Underplating Overall. Au Plating on Contact Area
 Gold Flash on Solder Tail.
 Shielding Cover: 30u" Nickel Underplating Overall.
 See Order Information on Contact Area & Solder Tail.

3. Halogen-Free Product P/N:

C90P106-0000X-H

Shielding Cover Plating:

4: Gold Flash on contact area & solder tail.

5: Nickel plated on contact area. Gold flash on solder tail.

說明:

1. 材料:

訊號端子: 高性能銅合金
 外殼: 高性能銅合金
 塑膠: 高溫熱塑性塑膠

2. 電鍍:

訊號端子: 30u" 鍍底, 接觸區域鍍金, 錫鍍區域刷薄金
 外殼: 30u" 鍍底, 接觸區域及錫鍍區域電鍍如料號選項

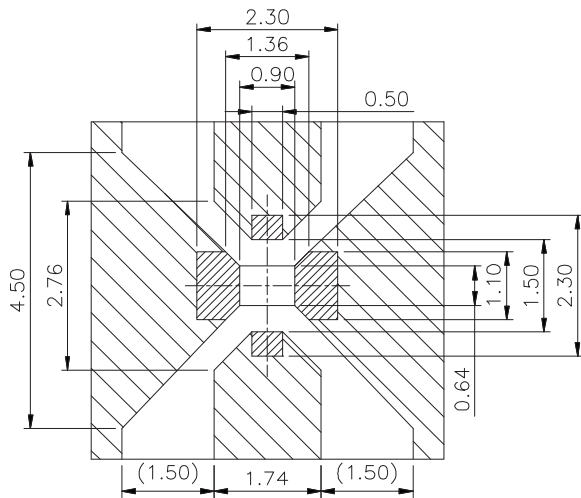
3. 無鹵料號:

C90P106-0000X-H

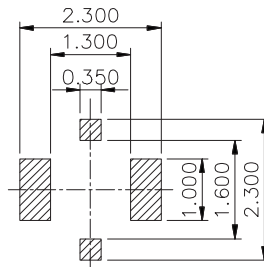
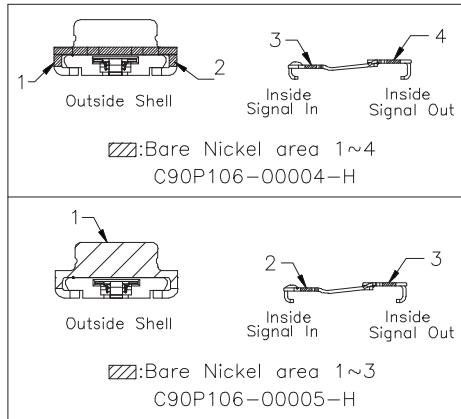
外殼電鍍:

4: 接觸區域與錫鍍區域鍍薄金.

5: 接觸區域鍍鍍, 錫鍍區域鍍薄金.

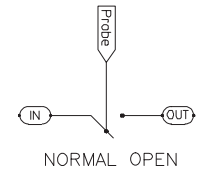
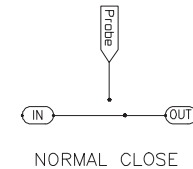
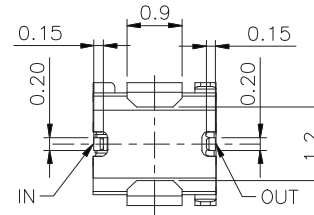
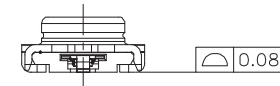
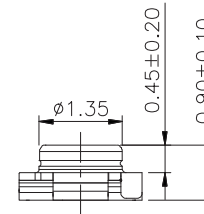
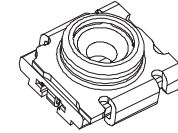
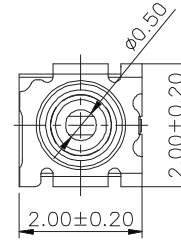


Recommnd PCB Layout



Recommnd Stencil Mask Pattern
 △ (Mask Thickness 0.08~0.10mm)

DCC ISSUE	Speedtech 2014.08.12 DCC 發行	REV	MODIFICATION	DATE	DRAW	APPROVE
		H	EN1308048	22-AUG-13	DANIEL	C.Y
		I	EN1311059	22-NOV-13	DANIEL	C.Y
		J	EN1408020	07-AUG-14	JAMES	Y.J



DIMENSION IN mm [Inch]		PROD. SPEC.		深圳市华灿天禄电子有限公司	
TOLERANCE UNLESS OTHERWISE SPECIFIED					
.X±0.25	X.°± 5°	PKG. SPEC.	FILE NO.	DWG NO.	HC-RF-C90-106
.XX±0.10	.X°±3°				
.XXX±0.06	.XX°±				
TITLE RF Switch Connector			CUSTOMER DRAWING		
APPROVE	CHECK	DRAW	PROJ.	SHEET	1 / 1
Y.J	T.C	JAMES	SCALE 8:1	SIZE A4	REV J

© 2004/08/04 BY SPEED TECH CORP. ALL RIGHTS RESERVED, PRODUCTS ARE COVERED BY PATENTS AND/OR PATENTS PENDING.

X-ON Electronics

Largest Supplier of Electrical and Electronic Components

Click to view similar products for [RF Connectors / Coaxial Connectors](#) category:

Click to view products by [HCTL](#) manufacturer:

Other Similar products are found below :

[8915-1511-000](#) [89674-0827](#) [6001-7071-019](#) [6002-7051-003](#) [6059674-1](#) [619550-1](#) [630059-000](#) [M39012/25-3026](#) [M39030/3-01N](#) [6501-1071-002](#) [6769](#) [7002-1541-010](#) [7002-1572-002](#) [7003-1542-011](#) [7004-1512-000](#) [7009-1511-004](#) [7029-1511-060](#) [7101-1541-010](#) [7101-1571-002](#) [7105-1521-002](#) [7203-1571-003](#) [7209-1511-011](#) [7210-1511-015](#) [7210-1511-040](#) [7242-1511-000](#) [73216-2241](#) [73404-2300](#) [7405-1521-005](#) [7405-1521-802](#) [7406-1521-005](#) [8527](#) [8547](#) [FS11V](#) [877931](#) [8808-1511-001](#) [9049-9513-000](#) [9074-9513-000](#) [910A205F](#) [PL40-36](#) [PL40-5](#) [PL71-9](#) [980-8666-005](#) [1200690078](#) [1-201144-1](#) [120919](#) [R107003010W](#) [R110A172100](#) [R112186000](#) [R113053000W](#) [R113081000](#)