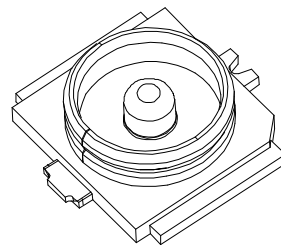
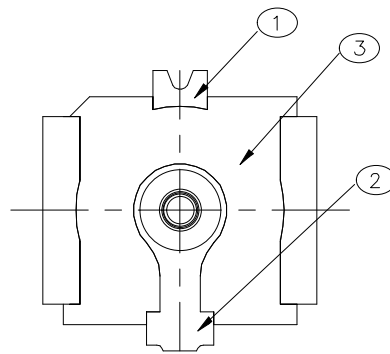


Recommended PCB Layout
(General Tolerance Is ± 0.05)

1. Material: see table A
2. Plating: see table A
3. Electrical characteristics
 - 3.1 Rated voltage: 60V, 50Hz, rms.
 - 3.2 Insulation resistance $\geq 5,000\text{M}\Omega$;
 - 3.3 Dielectric withstanding voltage: 200V AC 1 Min;
 - 3.4 Contact resistance:
 - 3.4.1 Inner conductor $\leq 20\text{m}\Omega$;
 - 3.4.2 Outer conductor $\leq 20\text{m}\Omega$;
 - 3.5 Characteristic impedance: 50Ω .
 - 3.6 VSWR:
 - ≤ 1.3 (DC~3GHz);
 - ≤ 1.4 (3~6GHz).
 - 3.7 Frequency range: DC~6GHz.
 - 3.8 100% OPEN, SHORT CIRCUIT TEST.
4. Environment
 - 4.1 Operating temperature range: $-40^{\circ}\text{C} \sim +90^{\circ}\text{C}$.
 - 4.2 Relative humidity: $\leq 95\%$ ($40^{\circ}\text{C} \pm 2^{\circ}\text{C}$)
 - 4.3 Product should meet HSF requirement;
5. Mark ▼ Dimensions are important control dimensions; Mark ▽ Dimensions are pivotal control dimensions.



3	HOUSING	1	LCP 6808, COLOR: BLACK, UL 94V-0	—
2	CONTACT	1	Brass C2680, Contact Area Plating Au 4 μ ' Min , The Other Area Plating Au Gold Flash, Ni Plating 50~150" μ	—
1	SHELL	1	Phosphor bronze C5191, Contact Area Plating Au 2 μ ' Min, The Other Area Plating Au Gold Flash, Ni Plating 50~150" μ	—
Item	component	Qt'y	Material/Treatment	Note

Free tolerance	Unit	mm	深圳市华灿天禄电子有限公司			
Length size	Material	SEE NOTES		Product Name		
X. ± 0.50	Finish	SEE NOTES		RF IV Receptacle Assembly (H=0.6mm)		
.X ± 0.30	Approved by	Jack Hu	Jun. 02, 15	P/N		
.XX ± 0.20	Checked by	YC.YANG	Jun. 02, 15	3.2.08.0113		
.XXX ± 0.10	Designed by	PAN BAI	Jun. 02, 15	Drawing No. HC-RF-IPEX2020-04		
角度	Drawn by	ZH.XU	Jun. 02, 15	Scale	1 : 1	
X. $\pm 3.0^{\circ}$				Drawing spec.	A4 Page 1 of 1 Version A1	
.X $\pm 2.0^{\circ}$						
.XX $\pm 1.0^{\circ}$						

A1	—	New release	ZH.XU	YC.YANG	Jack Hu
Version	ECN No.	Edit description	Drawing/Date	Checked by	Approved by

X-ON Electronics

Largest Supplier of Electrical and Electronic Components

Click to view similar products for [RF Connectors / Coaxial Connectors](#) category:

Click to view products by [HCTL](#) manufacturer:

Other Similar products are found below :

[8915-1511-000](#) [89674-0827](#) [6001-7071-019](#) [6002-7051-003](#) [6059674-1](#) [619550-1](#) [630059-000](#) [M39012/25-3026](#) [M39030/3-01N](#) [6501-1071-002](#) [6769](#) [7002-1541-010](#) [7002-1572-002](#) [7003-1542-011](#) [7004-1512-000](#) [7009-1511-004](#) [7029-1511-060](#) [7101-1541-010](#) [7101-1571-002](#) [7105-1521-002](#) [7203-1571-003](#) [7209-1511-011](#) [7210-1511-015](#) [7210-1511-040](#) [7242-1511-000](#) [73216-2241](#) [73404-2300](#) [7405-1521-005](#) [7405-1521-802](#) [7406-1521-005](#) [8527](#) [8547](#) [FS11V](#) [877931](#) [8808-1511-001](#) [9049-9513-000](#) [9074-9513-000](#) [910A205F](#) [PL40-36](#) [PL40-5](#) [PL71-9](#) [980-8666-005](#) [1200690078](#) [1-201144-1](#) [120919](#) [R107003010W](#) [R110A172100](#) [R112186000](#) [R113053000W](#) [R113081000](#)