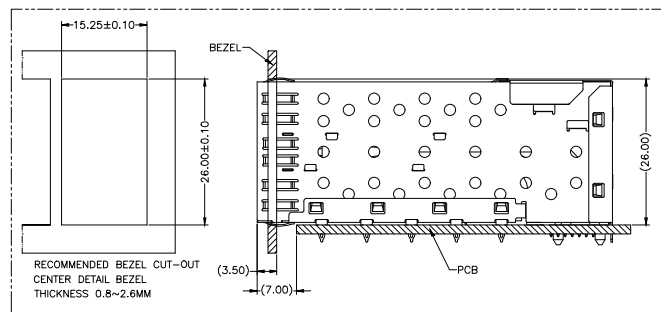
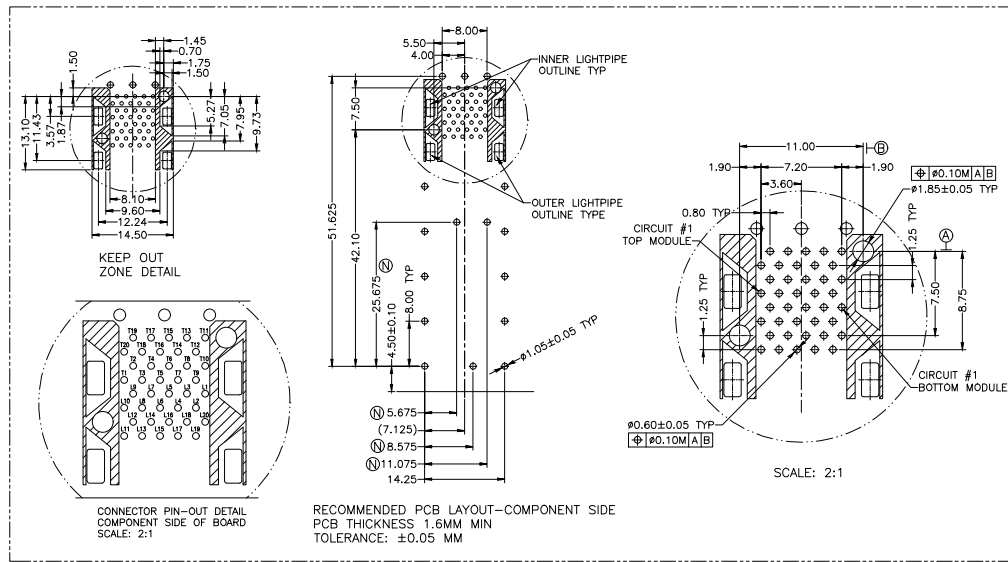
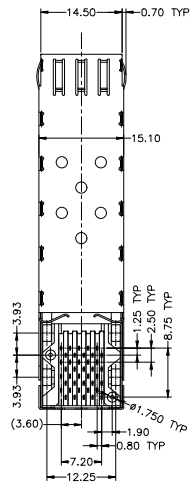


NOTES:  
 MECHANICAL:  
 MAIN CAGE: COPPER ALLOY, THICKNESS 0.25MM.  
 OTHER CAGES: STAINLESS STEEL, THICKNESS 0.25MM.  
 CONNECTOR HOUSING: GLASS FILLED PLASTIC, 94 V-0, COLOR: BLACK.  
 OVERMOLDED TERMINAL HOUSING: GLASS FILLED PLASTIC, 94 V-0, COLOR: BLACK.  
 LIGHTPIPES: POLYCARBONITE, 94 V-0, COLOR: CLEAR.  
 LIGHTPIPE HOLDER: GLASS FILLED PLASTIC, 94 V-0, COLOR: BLACK.  
 TERMINAL: POSPHRR BRONZE.  
 GOLD PLATING FOR CONTACT AREA, THICKNESS SEE OPTION.  
 TIN PLATING FOR PRESS FIT AREA.  
 NICKEL PLATING AS UNDERLAYER FOR WHOLE TERMINAL.  
 ELECTRICAL:  
 VOLTAGE: 120 VOLTS AC.  
 CURRENT: SIGNAL APPLICATION ONLY.  
 DIFFERENTIAL IMPEDANCE: 100 OHMS.  
 TEMPERATURE:  
 OPERATION: -40°C~+85°C  
 STORAGE: -40°C~+85°C  
 LIGHTPIPE PAD LAYOUT IS FOR LOW-PROFILE LED PACKAGE.  
 LED SIZE(LxWxH): 2x1x0.4MM MAX.  
 RoHS COMPLIANCE.



HC-SFP-02L-21-A	WITHOUT LIGHTPIPES	15u"	C2680EH FOR TOP&REAR&BOTTOM CAGES
HC-SFP-02L-21-B	4 PORT LIGHTPIPES	15u"	C2680EH FOR TOP&REAR&BOTTOM CAGES
HC-SFP-02L-21-C	INNER 2 PORTS	15u"	C2680EH FOR TOP&REAR&BOTTOM CAGES
HC-SFP-02L-21-D	OUTER 2 PORTS	15u"	C2680EH FOR TOP&REAR&BOTTOM CAGES
Part No.	LIGHT PIPES	GOLD PLATING	OTHER

GENERAL TOLERANCE		制图	深圳市华灿天禄电子有限公司			
DIM TOL		审核	ShenzhenhuacantianluELECTRONICS CO.,LTD			
X.X	±0.30	批准	产品名称	SPF 外壳 (2x1)	版本	A
X.XX	±0.20	APPROVAL	TITLE		REV.	
X.XXX	±0.10	SCALE	产品料号	HC-SFP-02L-21-X	单位	mm
Angle	±3.0°	投影	PART NO.		页次	1/1

1	初版发行	日期				
序号 No.	变更内容 MODIFY CONTENT	日期 MODIFY DATE	材料 MATERIAL	投影 Projection	页次 SHEET	1/1

## X-ON Electronics

Largest Supplier of Electrical and Electronic Components

*Click to view similar products for [Headers & Wire Housings](#) category:*

*Click to view products by [HCTL](#) manufacturer:*

Other Similar products are found below :

[57102-F02-18ULF](#) [58102-G61-06LF](#) [582553-1](#) [009176003701906](#) [01.001.5753.1](#) [0050291907](#) [02.125.8002.8](#) [609-3404](#) [61062-3](#)  
[CSU011177004](#) [622-0430](#) [622-3653LF](#) [63453-116](#) [636-1030](#) [636-1427](#) [636-3427](#) [636-4007](#) [641938-9](#) [644827-2](#) [65495-038](#) [65692-001LF](#)  
[65781-018](#) [65781-047](#) [65817-010LF](#) [65817-015LF](#) [66207-023LF](#) [67095-007LF](#) [67601157](#) [68631-112](#) [68645-018](#) [699319-000](#)  
[M90C108951C](#) [70.362.1628.0](#) [70-4210](#) [70-4226B](#) [70-4853B](#) [707-5028](#) [71.350.2428.0](#) [71961-016LF](#) [733-134](#) [733-162](#) [754199-000](#) [760-](#)  
[3052](#) [80.063.4001.1](#) [800-90-001-10-001000](#) [800-90-010-10-002000](#) [801-43-002-10-013000](#) [801-43-006-10-002000](#) [803-41-018-10-001000](#)  
[803-43-024-10-001000](#)