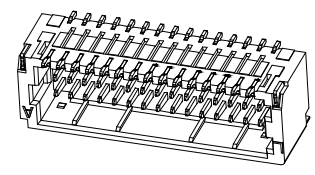
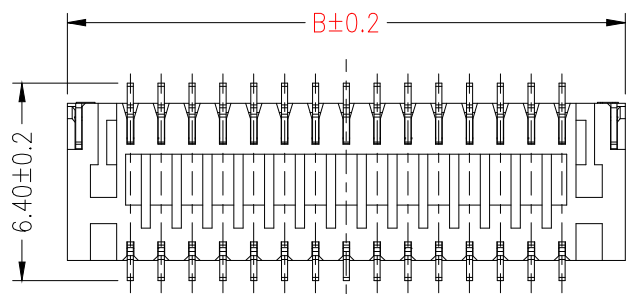
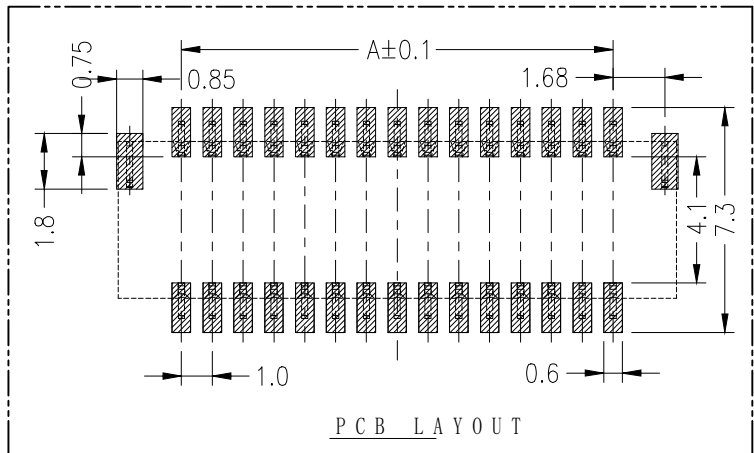
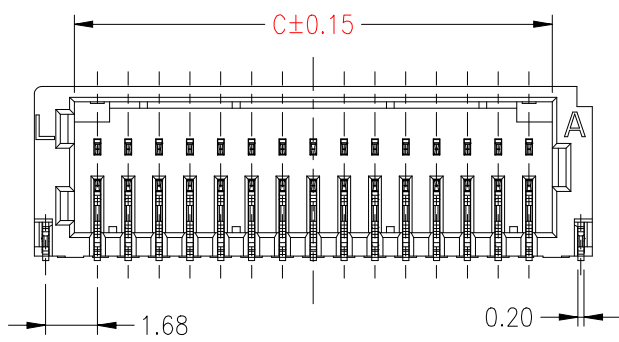



Specifications:
 Poles:10 to 50
 Contact resistance:≤20mΩ
 Insulation resistance:≥100MΩ
 Rated voltage:50V AC DC
 Rated current:1.0A AC DC(AWG#28)
 Withstand Voltage: 500V AC/minute
 Temperature Range:-25°C~ +85°C
 Housing:PA9T UL94V-0,Natural(Beige)
 Contacts:Phosphor Bronze Au/Sn-plated
 Solder Tabs:Brass Sn-plated



| Circuit | Part NO. | Dimensions mm | | |
|---------|---------------------|---------------|-------|-------|
| | | A | B | C |
| 5 | HC-SHD-2x5PWT-G-04 | 4.00 | 8.10 | 5.50 |
| 6 | HC-SHD-2x6PWT-G-04 | 5.00 | 9.10 | 6.50 |
| 7 | HC-SHD-2x7PWT-G-04 | 6.00 | 10.10 | 7.50 |
| 8 | HC-SHD-2x8PWT-G-04 | 7.00 | 11.10 | 8.50 |
| 9 | HC-SHD-2x9PWT-G-04 | 8.00 | 12.10 | 9.50 |
| 10 | HC-SHD-2x10PWT-G-04 | 9.00 | 13.10 | 10.50 |
| 15 | HC-SHD-2x15PWT-G-04 | 14.00 | 18.10 | 15.50 |
| 20 | HC-SHD-2x20PWT-G-04 | 19.00 | 23.10 | 20.50 |
| 25 | HC-SHD-2x25PWT-G-04 | 24.00 | 28.10 | 25.50 |

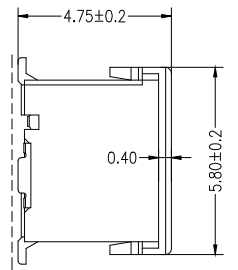
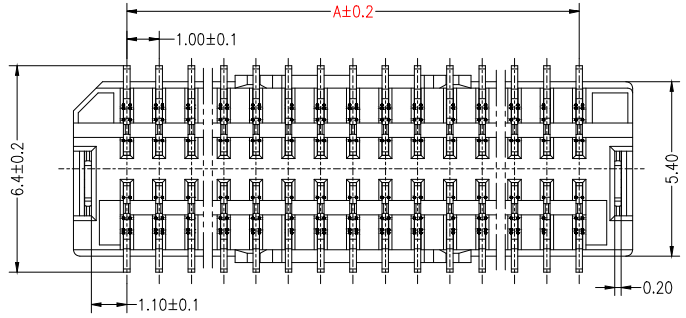
| Circuits | pcs/box | boxs/Carton | Pcs/Box |
|---------------|---------|-------------|---------|
| 2x5~2x10 Pin | 900 | 15 | 13500 |
| 2x15 Pin | 900 | 11 | 9900 |
| 2x20~2x25 Pin | 900 | 8 | 7200 |

| GENERAL TOLERANCE | | | 制图 DRAWING |
|-------------------|-------|--|------------------|
| DIM | TOL | | 审核 CHECK |
| X.X | ±0.30 | | 批准 APPROVAL |
| X.XX | ±0.20 | | 比例 SCALE |
| X.XXX | ±0.10 | | 投影 Projection |
| Angle | ±3.0° | | |

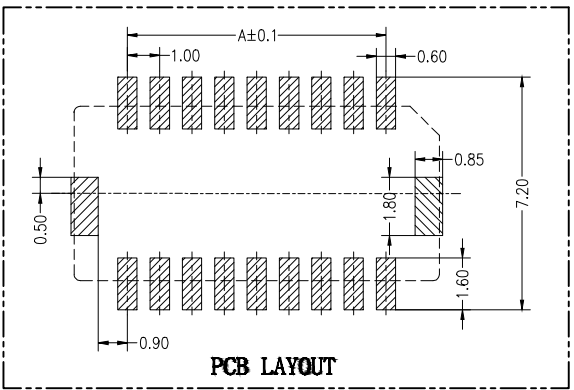
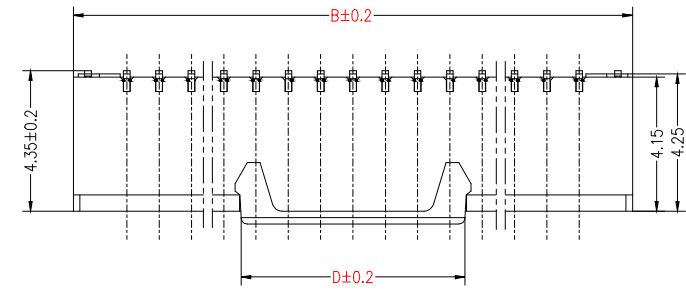

深圳市华灿天禄电子有限公司
 ShenzhenhuacantianluELECTRONICS CO.,LTD

| | | | |
|------------------|--------------------|-------------|-----|
| 产品名称 TITLE | 1.0 双排 卧贴 (Au) | 版本 REV. | A |
| 产品料号 PART NO. | HC-SHD-2xNPWT-G-04 | 单位 UNITS | mm |
| 材料 MATERIAL | | 页次 SHEET | 1/1 |

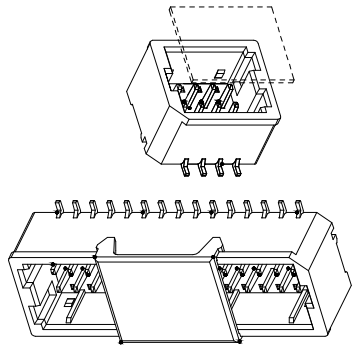
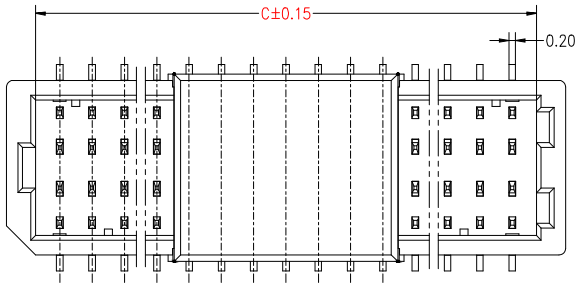
| 序号 No. | 变更内容 MODIFY CONTENT | 日期 MODIFY DATE |
|-----------|------------------------|-------------------|
| 1 | 初版发行 | |



0.12



PCB LAYOUT



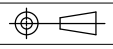
Specifications

- Poles : 4 to 50
- Contact resistance : $\leq 20m\Omega$
- Insulation resistance : $\geq 100M\Omega$
- Rated voltage : 50V AC DC
- Rated current : 1.0A AC DC (AWG28#线)
- Withstand Voltage : 500V AC/minute
- Temperature Range : -25°C ~ +85°C

| Circuit | Part NO. | Dimensions mm | | | | |
|---------|---------------------|---------------|-------|-------|---|------|
| | | A | B | C | D | |
| 2 | HC-SHD-2x2PLT-G-04 | 1.00 | 4.30 | 2.50 | | 麦拉 |
| 3 | HC-SHD-2x3PLT-G-04 | 2.00 | 5.30 | 3.50 | | |
| 4 | HC-SHD-2x4PLT-G-04 | 3.00 | 6.30 | 4.50 | | |
| 5 | HC-SHD-2x5PLT-G-04 | 4.00 | 7.30 | 5.50 | | |
| 6 | HC-SHD-2x6PLT-G-04 | 5.00 | 8.30 | 6.50 | | 4.00 |
| 7 | HC-SHD-2x7PLT-G-04 | 6.00 | 9.30 | 7.50 | | |
| 8 | HC-SHD-2x8PLT-G-04 | 7.00 | 10.30 | 8.50 | | |
| 9 | HC-SHD-2x9PLT-G-04 | 8.00 | 11.30 | 9.50 | | |
| 10 | HC-SHD-2x10PLT-G-04 | 9.00 | 12.30 | 10.50 | | 7.00 |
| 11 | HC-SHD-2x11PLT-G-04 | 10.00 | 13.30 | 11.50 | | |
| 12 | HC-SHD-2x12PLT-G-04 | 11.00 | 14.30 | 12.50 | | |
| 14 | HC-SHD-2x14PLT-G-04 | 13.00 | 16.30 | 14.50 | | |
| 15 | HC-SHD-2x15PLT-G-04 | 14.00 | 17.30 | 15.50 | | |
| 16 | HC-SHD-2x16PLT-G-04 | 15.00 | 18.30 | 16.50 | | |
| 18 | HC-SHD-2x18PLT-G-04 | 17.00 | 20.30 | 18.50 | | |
| 20 | HC-SHD-2x20PLT-G-04 | 19.00 | 22.30 | 20.50 | | |
| 25 | HC-SHD-2x25PLT-G-04 | 24.00 | 27.30 | 25.50 | | |

| Circuits | pcs/box | boxes/Carton | Pcs/Box |
|---------------|---------|--------------|---------|
| 2x2~2x5 Pin | 1000 | 20 | 20000 |
| 2x6~2x12 Pin | 1000 | 15 | 15000 |
| 2x14~2x18 Pin | 1000 | 11 | 11000 |
| 2x20~2x25 Pin | 1000 | 8 | 8000 |

| GENERAL TOLERANCE | | 制图 | 深圳市华灿天禄电子有限公司 | | |
|-------------------|----------------|-------------|---|--------------------|-------|
| DIM | TOL | DRAWING | ShenzhenhuacantianluELECTRONICS CO.,LTD | | |
| X.X | ±0.30 | 审核 | 产品名称 | 1.0 双排 立贴 (Au) | 版本 |
| X.XX | ±0.20 | CHECK | TITLE | | REV. |
| X.XXX | ±0.10 | 批准 | 产品料号 | HC-SHD-2xNPLT-G-04 | 单位 |
| Angle | ±3.0° | APPROVAL | PART NO. | | UNITS |
| | | SCALE | | | mm |
| 序号 | 变更内容 | 日期 | 材料 | | 页次 |
| No. | MODIFY CONTENT | MODIFY DATE | MATERIAL | | SHEET |



深圳市华灿天禄电子有限公司
 ShenzhenhuacantianluELECTRONICS CO.,LTD

X-ON Electronics

Largest Supplier of Electrical and Electronic Components

Click to view similar products for [Headers & Wire Housings](#) category:

Click to view products by [HCTL](#) manufacturer:

Other Similar products are found below :

[57102-F02-18ULF](#) [58102-G61-06LF](#) [582553-1](#) [009176003701906](#) [01.001.5753.1](#) [0050291907](#) [02.125.8002.8](#) [609-3404](#) [61062-3](#)
[CSU011177004](#) [622-0430](#) [622-3653LF](#) [63453-116](#) [636-1030](#) [636-1427](#) [636-3427](#) [636-4007](#) [641938-9](#) [65495-038](#) [65692-001LF](#) [65781-018](#)
[65781-047](#) [65817-010LF](#) [65817-015LF](#) [66207-023LF](#) [67095-007LF](#) [67601157](#) [68631-112](#) [68645-018](#) [699319-000](#) [M90C108951C](#)
[70.362.1628.0](#) [70-4210](#) [70-4226B](#) [70-4853B](#) [707-5028](#) [71.350.2428.0](#) [71961-016LF](#) [733-134](#) [733-162](#) [754199-000](#) [760-3052](#) [80.063.4001.1](#)
[800-90-001-10-001000](#) [800-90-010-10-002000](#) [801-43-002-10-013000](#) [801-43-006-10-002000](#) [803-41-018-10-001000](#) [803-43-024-10-](#)
[001000](#) [803-93-012-10-001000](#)