

- 1.MATERIAL SPECIFICATION:SEE TABLE"A";
- 2.MECHANICAL PERFORMANCE:
  - 2-1.INSERTION FORCE: 5~20N;
  - 2-2.REMOVAL FORCE: 8~20N,AFTER DURABILITY EXTRACTION FORCE:6~20N;
  - 2-3.DURABILITY: 10000 CYCLES;
- 3.ELECTRICAL PERFORMANCE:
  - 3-1. CURRENT RATING:5A Max.;
  - 3-2. LLCR: VBUS & GND PINS AND OTHER PINS: 40mΩ/PIN MAX.; LLCR MAX. CHANGE OF ALL PINS: 10mΩ.;
  - 3-3.INSULATION RESISTANCE: 100MΩ MIN.;
  - 3-4.DIELECTRIC WITHSTAND VOLTAGE,AC 100V FOR 1 MINUTE;
- 4.RoHS COMPLIANT;
- 5.IR REFLOW:THE PEAK TEMPERATURE ON THE BOARD;
- 6.ENVIRONMENTAL PERFORMANCE:
  - OPERATING TEMPERATURE: -55°C~+85°C;

USB TYPE-C PIN ASSIGNMENTS

PIN NUMBER	SIGNAL NAME	PIN NUMBER	SIGNAL NAME
A1	GND	B12	GND
A2	SSTXP1	B11	SSRXP1
A3	SSTXN1	B10	SSRXN1
A4	VBUS	B9	VBUS
A5	CC1	B8	SBU2
A6	Dp1	B7	Dn2
A7	Dn1	B6	Dp2
A8	SBU1	B5	CC2
A9	VBUS	B4	VBUS
A10	SSRXN2	B3	SSTXN2
A11	SSRXP2	B2	SSTXP2
A12	GND	B1	GND

P/N	L	F脚长	COLOER	额定电流
HC-TYPE C-24P-DS_CH3_4-5A-12	10.10mm	0.70mm	黑色	5A

Ordering Information

HC-TYPE CM -24P - \*\* \* - \*A - F\* - \* - 12

Pin	Type	Current Rated	Foot Length	Colour
4P	T=Top Mount (图1)	5A	0.70mm	Black
6P	DS=DS-SMT (图2)	5A	0.70mm	White
9P	MM=Mid Mount (图3)	10A	0.70mm	Blue
12P	CH=Center Height (图4)	10A	0.70mm	Green
16P	VS=Vertical SMT (图5)	10A	0.70mm	Orange
24P	DP=DP (图6)	10A	0.70mm	Purple
	CP=Cap (图7)			Yellow
	FL=Flag (图8)			

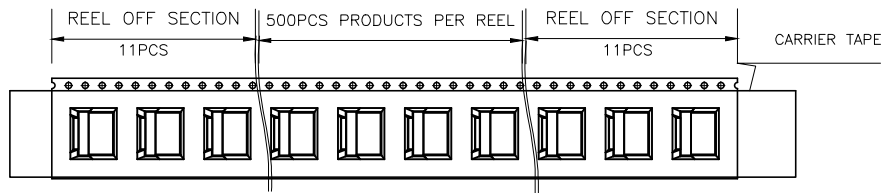
TABLE "A";

ITEM	DESCRIPTION	Q'TY	MATERIAL	FINISH
6	OUTER-SHELL	1	STAINLESS STEEL	SOLDER NICKEL: 50U" MIN
5	INNER-SHELL	1	STAINLESS STEEL	SOLDER NICKEL: 50U" MIN
4	TOP TERMINAL	1	COPPER ALLOY	MATING AREA-AU 3u" SOLDER TAIL-MATTE TIN 50 MIN, 50u" NICKEL OVERALL.
3	BOTTOM TERMINAL	1	COPPER ALLOY	MATING AREA-AU 3u" SOLDER TAIL-MATTE TIN 50 MIN, 50u" NICKEL OVERALL.
2	MID PLATE	1	STAINLESS STEEL	SOLDER NICKEL: CLEANING
1	MAIN HOUSING	1	HIGH TEMPERATURE BLACK	

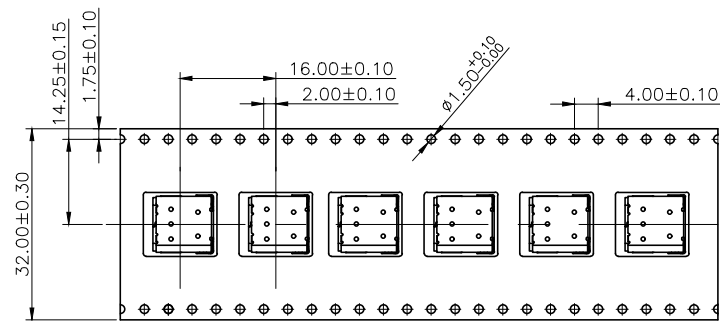
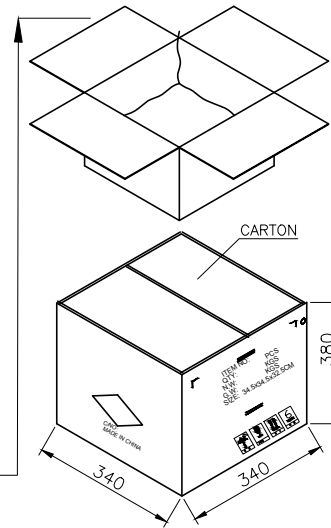
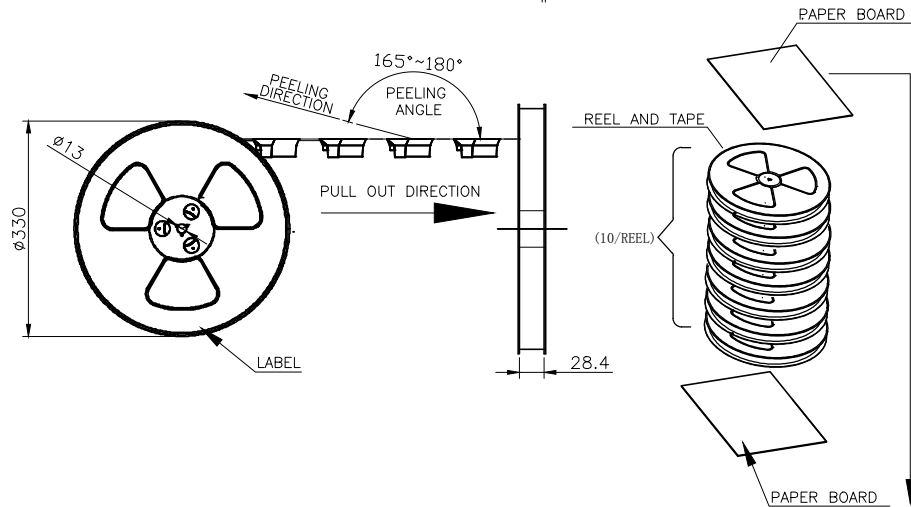
GENERAL TOLERANCE		制图	审核
DIM TOL		批准	检查
X.X	±0.30	批准	检查
X.XX	±0.20	比例	SCALE
X.XXX	±0.10	投影	Projection
Angle	±3.0°		

深圳市华灿天禄电子有限公司  
ShenzhenhuacantianluELECTRONICS CO.,LTD

产品名称	TYPE CF 24P 前插后贴+垫高 CH3.40	版本	A
TITLE	L10.1mm 无弹带柱	REV.	
产品料号	HC-TYPE-C-24P-DS_CH3_4-5A-12	单位	mm
PART NO.		UNITS	
材料		页次	1/2
MATERIAL		SHEET	



pcs/box	boxs/Carton	Pcs/Box
500	10	5000



		GENERAL TOLERANCE		制图 DRAWING	深圳市华灿天禄电子有限公司 ShenzhenhuacantianluELECTRONICS CO., LTD	
		DIM	TOL	审核 CHECK	产品名称 TITLE	TYPE CF 24P 前插后贴+垫高 CH3.40 L10.1mm 无弹带柱-包装图
		X.X	±0.30	批准 APPROVAL	产品料号 PART NO.	版本 REV.
		X.XX	±0.20	比例 SCALE	HC-TYPE C-24P-DS_CH3.4-5A-12	单位 UNITS
		X.XXX	±0.10	投影 Projection	材料 MATERIAL	页次 SHEET
1	初版发行	日期 MODIFY DATE	Angle ±3.0°	第一角投影		A
序号 No.	变更内容 MODIFY CONTENT	日期 MODIFY DATE				mm

## X-ON Electronics

Largest Supplier of Electrical and Electronic Components

*Click to view similar products for [USB Connectors](#) category:*

*Click to view products by [HCTL](#) manufacturer:*

Other Similar products are found below :

[950](#) [A-USB A-LP-SMT-C](#) [A-USB B-TOP-C](#) [MUSBD11135](#) [17-200721](#) [217450-1](#) [KMBVX-TH-5S-B30](#) [KUSBX-AS2N-W](#) [KUSBX-SMT2AP1S-W30](#) [935](#) [957](#) [30-498-6](#) [SK-60A-2](#) [1734082-1](#) [30-470](#) [30-489](#) [30-541](#) [MAB 5 S](#) [A-USB A-2P-C](#) [MIKROE-1451](#)  
[USBFTVSCCG](#) [1-1734084-2](#) [MUSBA81130](#) [NK-27-32SL](#) [NK-L8-22C-5/8](#) [10135326-001LF](#) [4198](#) [690-024-633-031](#) [UB-20PMFP-LC7001](#)  
[17-200011](#) [UB-20AFMM-LL7A01](#) [CAP-WCCMLPB1](#) [CAP-WCCMLPC1](#) [2274475-3](#) [914-614A2025S10200](#) [USB3FTV7SAGF059](#)  
[USB3FTV2SAZNF459](#) [USB3FTV7SAZNF459](#) [HYCW153-USBD05-500B](#) [HYCW148-USBD05-117B](#) [HYCW149-USBD05-740B](#)  
[HYCW214-USBA04-113B](#) [HYCW213-USBA04-113B](#) [KMMX-BSMT35S-1-B30TR](#) [2345986-1](#) [10082141-N340LF](#) [10117836-011LF](#)  
[GSB3C3133DSYHR](#) [GT-USB-2014-CWG1](#) [GT-USB-7010ANS](#)