

NOTE1:

- MATERIAL SPECIFICATION:**
 - HOUSING:HIGH TEMPERATURE RESISTANT PLASTIC,UL94 V-0.
 - CONTACTS:COPPER ALLOY
 - MID PLATE: STAINLESS STEEL
 - FRONT SHELL: STAINLESS STEEL
- PLATING SPECIFICATION:**
 - CONTACTS:
 - NI 50μ" MIN. UNDER PLATED OVER ALL.
 - AU PLATED ON THE FUNCTIONAL AREA OF CONTACT. (GOLD PLATING THICKNESS FOLLOW THE P/N)
 - FRONT SHELL:
 - NI 30μ" MIN. UNDER PLATED OVER ALL.
 - SHIELD PLATE&EMI PLATE:
 - CLEAR ONLY
- MECHANICAL PERFORMANCE:**
 - INSERTION FORCE: 0.5~2.0kgf.
 - REMOVAL FORCE: 0.8kgf~2.0kgf.
 - DURABILITY: 2000 CYCLES.
- ELECTRICAL PERFORMANCE:**
 - CURRENT RATING:3.0A
VOLTAGE RATING:5.0V
 - LLCR:
 - VBUS & GND PINS AND OTHER PINS: 40mD/PIN MAX. SHIELD: 50mD/MAX.
 - LLCR MAX. CHANGE OF ALL PINS: 10mD.
 - INSULATION RESISTANCE: 100MΩ MIN
 - DIELECTRIC WITHSTAND VOLTAGE:AC 100V FOR 1 MINUTE.
- ENVIRONMENTAL PERFORMANCE:**
 - OPERATING TEMPERATURE: -25°C~+85°C.
 - IR REFLOW:
 - THE PEAK TEMPERATURE ON THE BOARD SHALL BE MAINTAINED FOR 10 SECONDS AT 260°C.

USB TYPE-C PIN ASSIGNMENTS

PIN NUMBER	SIGNAL NAME	PIN NUMBER	SIGNAL NAME
A5	CC1	B12	GND
A9	VBUS	B9	VBUS
A12	GND	B5	CC2

P/N	(L)	(P) 脚长	COLOR	额定电流
HC-TYPE C-6P-VS6-S-3A-F1-0-09	6.80mm	1.00mm	银色	3A
HC-TYPE C-6P-VS6-S-3A-F1-5-09	6.80mm	1.50mm	银色	3A
HC-TYPE C-6P-VS6-S-3A-F1-0-09	6.50mm	1.00mm	银色	3A
HC-TYPE C-6P-VS6-S-3A-F1-5-09	6.50mm	1.50mm	银色	3A
HC-TYPE C-6P-VS5-S-3A-F1-0-09	5.50mm	1.00mm	银色	3A
HC-TYPE C-6P-VS5-S-3A-F1-5-09	5.50mm	1.50mm	银色	3A
HC-TYPE C-6P-VS5-0-3A-F1-0-09	5.00mm	1.00mm	银色	3A
HC-TYPE C-6P-VS5-0-3A-F1-5-09	5.00mm	1.50mm	银色	3A

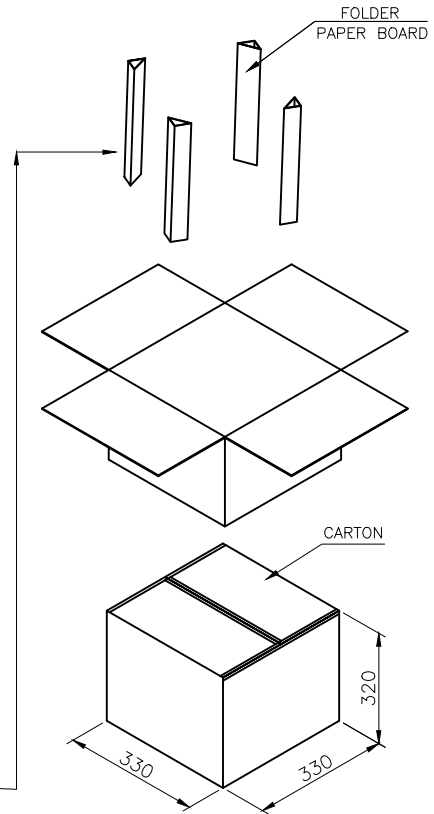
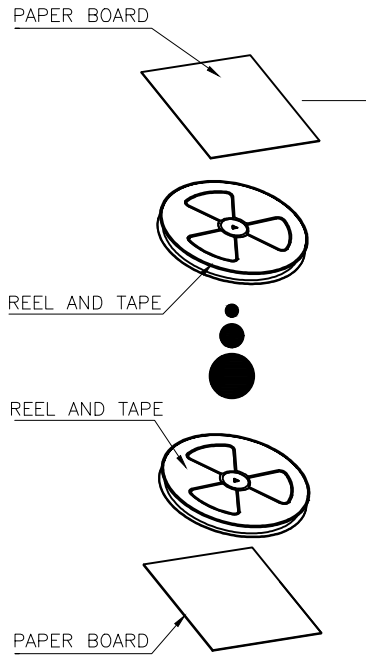
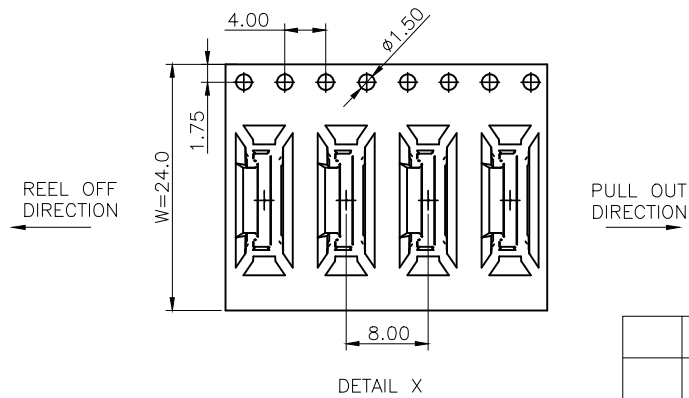
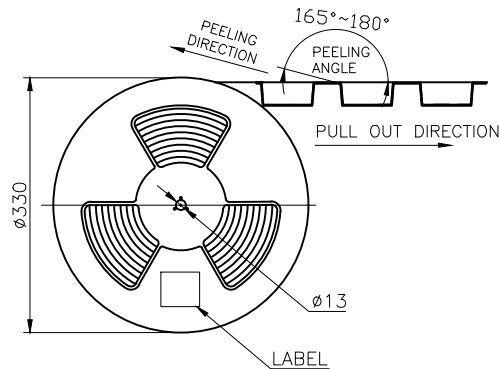
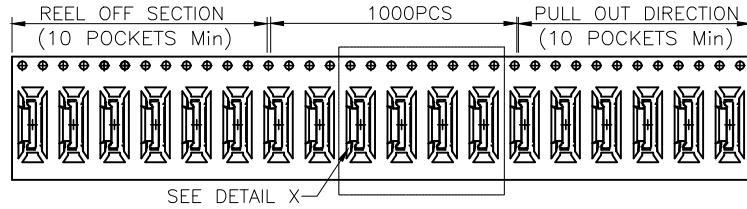
Ordering Information


HC-TYPE C - 6P - * * * - *A - F* - * - 09

P/n	Type	Pin Mount	Current	Pin Foot	Colour
6P	05-0P-3M	(0.5, 0.8)	3A	3A	W-White
12P	05-12P-3M	(0.5, 0.8)	3A	3A	P-Blue
24P	05-24P-3M	(0.5, 0.8)	3A	3A	G-Green
	05-24P-3M	(0.5, 0.8)	3A	3A	P-Purple
	05-24P-3M	(0.5, 0.8)	3A	3A	Y-Yellow

			GENERAL TOLERANCE	制图	深圳市华灿天禄电子有限公司		
			DIM TOL	DRAWING	ShenzhenhuacantianluELECTRONICS CO.,LTD		
			X.X ±0.30	审核	产品名称	TYPE CF 6P 直立式	版本
			X.XX ±0.20	CHECK	TITLE	L6.80/6.50/5.50/5.00mm 无弹无柱	REV.
			X.XXX ±0.10	批准	产品料号	HC-TYPE C-6P-VSX-3A-FX-09	单位
			Angle ±3.0°	APPROVAL	PART NO.		UNITS
1	初版发行	日期		比例			mm
序号	变更内容	日期		SCALE			
No.	MODIFY CONTENT	MODIFY DATE		投影	材料		页次
				Projection	MATERIAL		SHEET

pcs/box	boxes/Carton	Pcs/Box
1000	*	*



			GENERAL TOLERANCE		制图 DRAWING		 深圳市华灿天禄电子有限公司 ShenzhenhuaciantianluELECTRONICS CO.,LTD			
			DIM	TOL	审核 CHECK					
			X.X	±0.30	批准 APPROVAL		产品名称 TITLE	TYPE CF 6P 直立式 无弹无柱 L6.80/6.50/5.50/5.00mm -包装图	版本 REV.	A
1			初版发行		比例 SCALE		产品料号 PART NO.	HC-TYPE C-6P-VSX-3A-FX-09	单位 UNITS	mm
序号 No.	变更内容 MODIFY CONTENT	日期 MODIFY DATE	Angle		±3.0°	投影 Projection	材料 MATERIAL		页次 SHEET	2/2

X-ON Electronics

Largest Supplier of Electrical and Electronic Components

Click to view similar products for [USB Connectors](#) category:

Click to view products by [HCTL](#) manufacturer:

Other Similar products are found below :

[950](#) [A-USB A-LP-SMT-C](#) [A-USB B-TOP-C](#) [MUSBD11135](#) [17-200721](#) [217450-1](#) [KMBVX-TH-5S-B30](#) [KUSBX-AS2N-W](#) [KUSBX-SMT2AP1S-W30](#) [935](#) [957](#) [30-498-6](#) [SK-60A-2](#) [1734082-1](#) [30-470](#) [30-489](#) [30-541](#) [MIKROE-1451](#) [USBFTVSCCG](#) [1-1734084-2](#) [10135326-001LF](#) [4198](#) [USB-A-D-VT](#) [USB-A-S-RA-TSMT](#) [1310-1023-02](#) [690-024-633-031](#) [UB-20PMFP-LC7001](#) [17-200011](#) [UB-20AFMM-LL7A01](#) [1040870124](#) [CAP-WCCMLPB1](#) [2274475-3](#) [UB-20BMFA-SL8001](#) [914-614A2025S10200](#) [ZX40-B-5S-1500-STDA\(30\)](#) [GSB3116344HR](#) [USB3FTV2SAZNF459](#) [U221-041N-1WVS62-F5D](#) [HYCW153-USBD05-500B](#) [HYCW219-USBD05-075B](#) [HYCW148-USBD05-117B](#) [HYCW149-USBD05-740B](#) [HYCW204-USBD05-108B](#) [HYCW214-USBA04-113B](#) [HYCW213-USBA04-113B](#) [UB-20AMFM-SL7A01](#) [KMMX-BSMT35S-1-B30TR](#) [2345986-1](#) [10082141-N340LF](#) [10117836-011LF](#)