



**江苏浩都频率科技有限公司**  
JIANGSU HD-CRYSTAL TECHNOLOGY CO., LTD

**Specifications For Product**

TYPE : Quartz Crystal Oscillator  
SPEC : CXO3225/25.000M/3.3V/±30PPM  
P/N : 83025000301  
VER : A/2

R&D APPR. SIGNATURED			DEPT. 
ISSUE	CHECK	APPROVAL	
吴佳斌	程心婷	王秋贞	

Jiangsu HD-Crystal technology CO., Ltd

Add: NO 3, Dongxu Road, Lingang City, Jiangyin, Jiangsu Procince

Tel : +86 510 86680199

Fax : +86 510 86680699

---

**Specification Revision Record Sheet**

---

Rev.	Revise page	Revise Contents	Date	Ref. No.	Reviser
A/0	N/A	Initial released	2018/3/30	N/A	吴佳斌
A/1	N/A	P/N revision	2020/1/1	N/A	吴佳斌
A/2	4	package and pad layout change	2022/2/8	N/A	吴佳斌

---

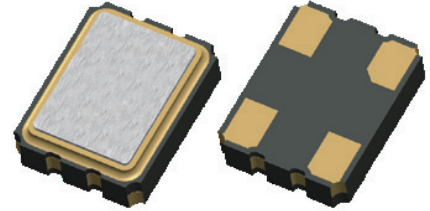
## Product Description

---

### 83025000301

#### 1. Scope:

- 1.1 This specification applies to the RoHS crystal oscillator with a frequency of 25.000MHz which will be used in electronic equipment.



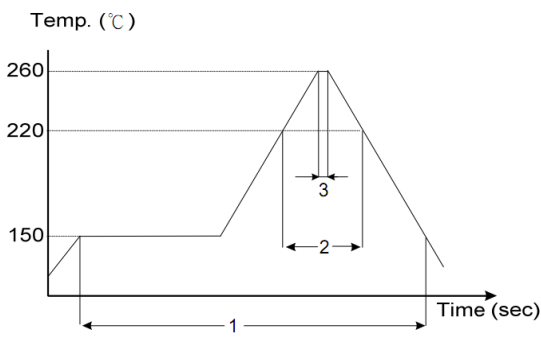
#### 2. Construction:

- 2.1 Oscillators series: 83 series CXO3225  
2.2 Package: SMD3.2×2.5

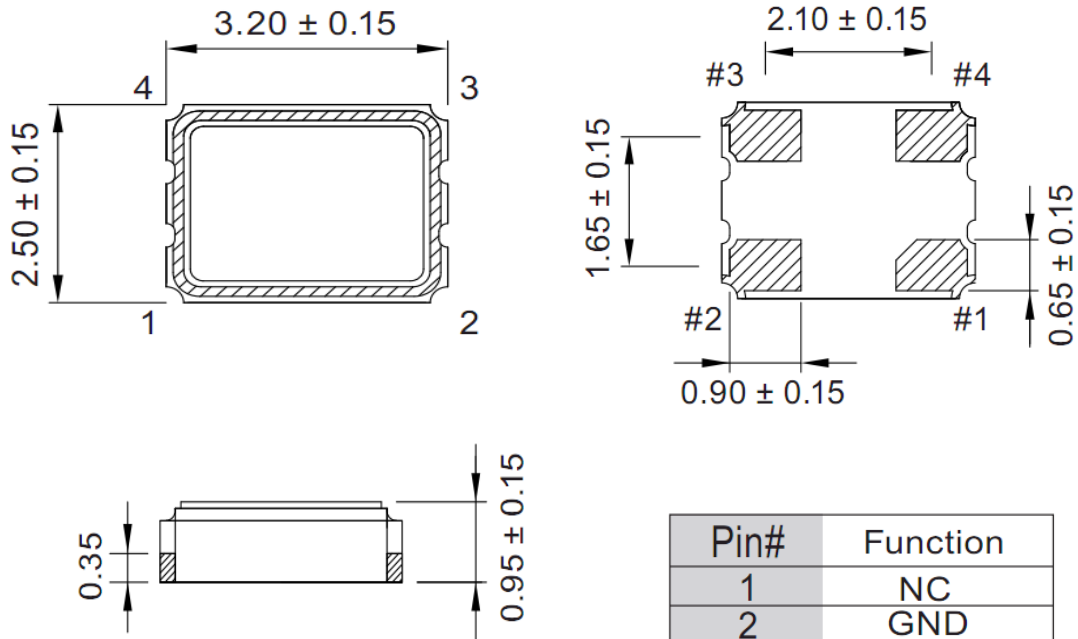
#### 3. Electrical Characteristics

- |      |                                                                                                                     |                                         |
|------|---------------------------------------------------------------------------------------------------------------------|-----------------------------------------|
| 3.1  | Nominal Frequency:                                                                                                  | 25.000MHz                               |
| 3.2  | Frequency Stability:                                                                                                | ±30ppm                                  |
|      | (incl. 25°C tolerance, tolerance over operating temperature range, input voltage change, load change, 1 year aging) |                                         |
| 3.3  | Aging:                                                                                                              | ±3ppm/year                              |
| 3.4  | Operating Temperature Range:                                                                                        | -40 to + 85°C                           |
| 3.5  | Storage Temperature Range:                                                                                          | -55 to + 125°C                          |
| 3.6  | Input Voltage ( $V_{DD}$ ):                                                                                         | +3.3Vdc±10%                             |
| 3.7  | Input Current ( $I_{DD}$ ):                                                                                         | 20mA max                                |
| 3.8  | Output Waveform:                                                                                                    | CMOS                                    |
| 3.9  | Output Symmetry:                                                                                                    | 50±10%                                  |
| 3.10 | Rise/Fall Time:                                                                                                     | 8ns max                                 |
| 3.11 | Output Voltage $V_{OL}$ :                                                                                           | 10%VDD                                  |
|      | $V_{OH}$ :                                                                                                          | 90%VDD                                  |
| 3.12 | Output Load:                                                                                                        | 15pF                                    |
| 3.13 | Output State Control:                                                                                               | Enable/disable                          |
| 3.14 | Start-up Time:                                                                                                      | 10ms max                                |
| 3.15 | Standby current:                                                                                                    | 10µA max                                |
| 3.16 | Phase Jitter (rms):                                                                                                 | 1ps rms max 12kHz to 20MHz max          |
| 3.17 | Oscillation mode:                                                                                                   | Fundamental                             |
| 3.18 | Others:                                                                                                             | Not recommended for safety applications |

# Reliability Specification

	Item	Condition	Standard
1.	Drop characteristics	Free drop from 75cm height on a hard wooden board for 3 times. (Board is thickness more than 30 mm.)	Frequency change: $\leq \pm 5\text{ppm}$ Rr as specification
2.	Mechanical shock	Device are shocked to half sine wave (1000g) three mutually perpendicular axes each 3 times	Frequency change: $\leq \pm 5\text{ppm}$ Rr as specification
3.	Shake characteristics	Shake frequency 10~55Hz, cyc1~2 minutes, swing 1.5mm, direction x/y/z, all 30 minutes, test after 1 hours.	Frequency change: $\leq \pm 5\text{ppm}$ Rr as specification
4.	Humidity characteristics	$+40 \pm 2^\circ\text{C}$ & 90%~95% R.H. 250 hours	Frequency change: $\leq \pm 5\text{ppm}$ Rr as specification
5.	Low temperature characteristics	$-40 \pm 2^\circ\text{C}$ , 250 hours, put in room temperature, test after 1 hours.	Frequency change: $\leq \pm 5\text{ppm}$ Rr as specification
6.	High temperature characteristics	$+85 \pm 2^\circ\text{C}$ , 250 hours, put in room temperature, test after 1 hours.	Frequency change: $\leq \pm 5\text{ppm}$ Rr as specification
7.	Temperature cycling	$-40 \pm 2^\circ\text{C}/30 \pm 3 \text{ min} \sim +85 \pm 2^\circ\text{C}/30 \pm 3 \text{ min}$ , 5 cycles	Frequency change: $\leq \pm 5\text{ppm}$ Rr as specification
8.	Refluence examination	 <p style="text-align: center;">Temp. (<math>^\circ\text{C}</math>)</p> <p style="text-align: center;">Time (sec)</p> <ol style="list-style-type: none"> <li>1. Max 200 sec</li> <li>2. Max 80 sec</li> <li>3. Max 10 sec</li> </ol>	Frequency change: $\leq \pm 5\text{ppm}$ Rr as specification

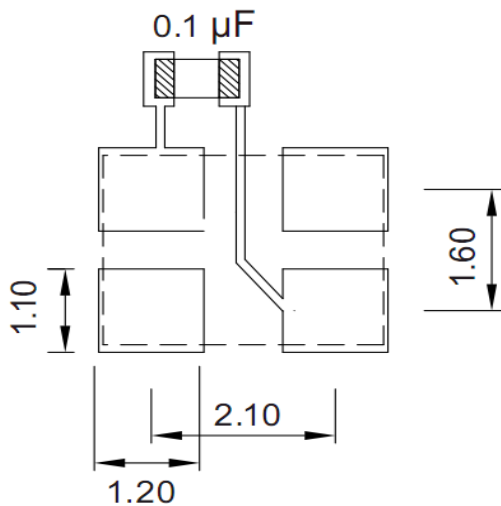
## Package Outline Dimensions



Pin#	Function
1	NC
2	GND
3	Output
4	VDD

Units:mm

## Suggested Pad Layout



To ensure optimal oscillator performance, place a by-pass capacitor of  $0.1\mu\text{F}$  as close to the part as possible between Vdd and GND pads.

---

## Packing Specification

---



## X-ON Electronics

Largest Supplier of Electrical and Electronic Components

*Click to view similar products for [Standard Clock Oscillators](#) category:*

*Click to view products by [HD-Crystal](#) manufacturer:*

Other Similar products are found below :

[601252](#) [F335-25](#) [F535L-33.333](#) [F535L-50](#) [NBXHBA019LN1TAG](#) [SiT1602BI-22-33E-50.000000E](#) [SIT8918AA-11-33S-50.000000G](#)  
[SM4420TEV-40.0M-T1K](#) [F335-24](#) [F335-40](#) [F535L-10](#) [F535L-12](#) [F535L-24](#) [F535L-27](#) [PE7744DW-100.0M](#) [ASF1-3.686MHZ-N-K-S](#) [ASV-](#)  
[4.000MHZ-LCS-T](#) [XO57CTECNA3M6864](#) [601251](#) [SiT8503AI-18-33E-0.200000X](#) [SIT9122AI2C233E300.000000X](#) [9120AC-2D2-](#)  
[33E212.500000](#) [9102AI-243N25E100.000000](#) [8208AC-82-18E-25.000000](#) [8008AI-72-XXE-24.545454E](#) [8004AC-13-33E-133.330000X](#) [AS-](#)  
[4.9152-16-SMD-TR](#) [ASFL1-48.000MHZ-LC-T](#) [632L3I004M000000](#) [SIT8920AM-31-33E-25.000000](#) [DSC1028DI2-019.2000](#) [9121AC-2C3-](#)  
[25E100.000000](#) [9102AI-233N33E100.000000X](#) [9102AI-233N25E200.000000](#) [9102AI-232H25S125.000000](#) [9102AI-133N25E200.000000](#) [9102AC-](#)  
[283N25E200.000000](#) [9001AC-33-33E1-30.000000](#) [8103AC-13-33E-12.000000X](#) [3921AI-2CF-33NZ125.000000](#) [5730-1SF](#) [XUN736000.032768I](#)  
[ASV-25.000MHZ-ECS-50-T](#) [EC3925ETTTS-100.000M TR](#) [SIT1602BC-83-33E-10.000000Y](#) [8003AI-12-33S-40.000000Y](#) [1602BI-13-33S-](#)  
[19.200000E](#) [8208AI-2F-18E-25.000000X](#) [8103AI-83-33E-33.000000X](#) [8208AI-8F-33E-66.666666X](#)