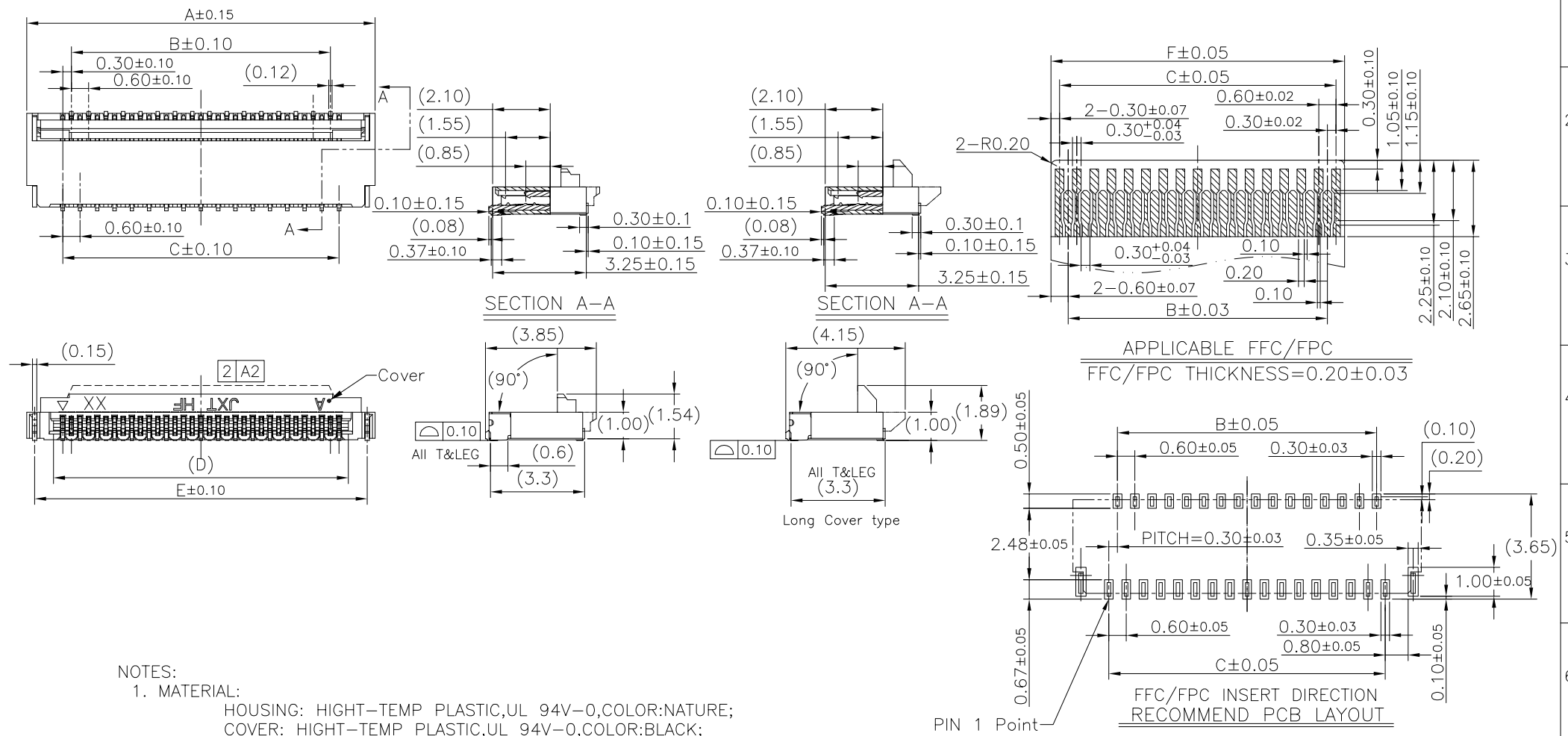

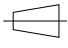


REV NO	MARK	REVISION DESCRIPTION	SIGNATURE	DATE
		NEW DWG		2016-03-12





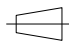
- NOTES:
- MATERIAL:
HOUSING: HIGHT-TEMP PLASTIC,UL 94V-0,COLOR:NATURE;
COVER: HIGHT-TEMP PLASTIC,UL 94V-0,COLOR:BLACK;
TERMINAL: COPPER ALLOY;
PEG: ALLOY;
 - PLATING:
TERMINAL: GOLD PLATED ON NICKEL OVERALL.
PEG: TIN PLATED ON NICKEL OVERALL.
 - RATING:
CURRENT RATING: 0.3A AC/DC
VOLTAGE RATING: 30V AC/DC
TEMPERATURE RANGE: -55°C~+85°C;

 深圳市华德共创科技有限公司 Shenzhen Huade co-create Technology Co.,LTD 电话: 0755-23304126 传真: 0755-29940187		TITLE: 产品名称: FPC 0.3间距1.0高前插后掀式			
		PART NO: 产品编号: 0.3K-HX-nPWB			
X.X ±0.30 X.XX ±0.20 X.XXX ±0.10	X.X* ±3° X.XX* ±2° X.XXX* ±1°	APPD: 核准: 王建业 CHECK: 校对: 黄艳兰 DRAW: 绘图:	DATE: 2016-03-12	SCALE: 1:1	UNIT: mm CODE NUMBER: A001

-TOLERANCES- UNLESS OTHERWISE SPECIFIED 公差参数表		 	
X.X	±0.30	X.X*	±3°
X.XX	±0.20	X.XX*	±2°
X.XXX	±0.10	X.XXX*	±1°

修 订		标 记	修 改 描 要	签 名	日 期
REV	NO	MARK	REVISION DESCRIPTION	SIGNATURE	DATE
			NEW DWG		2016-03-12

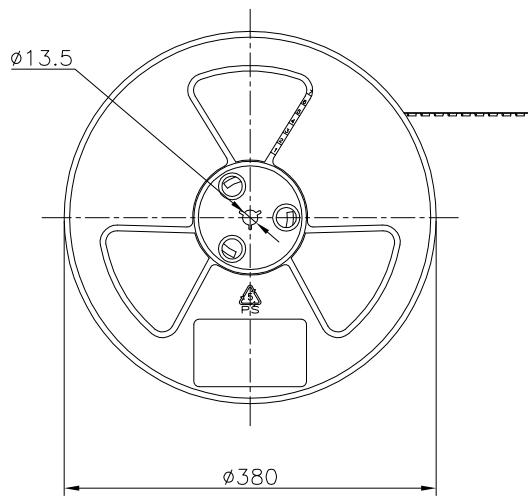
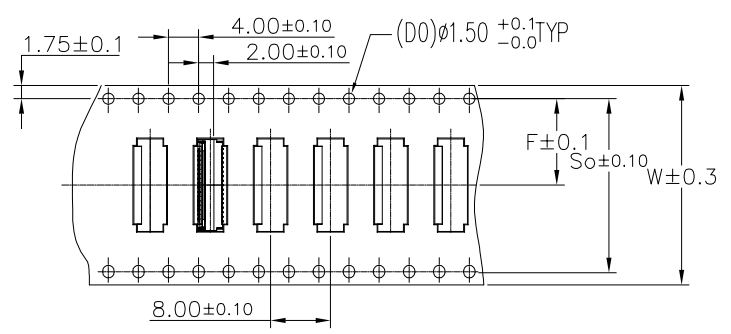
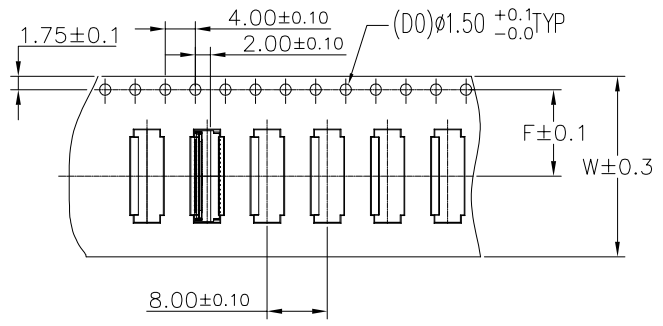
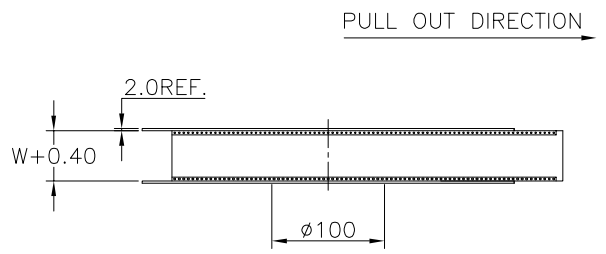
PIN NO.(N)	DIM A	DIM B	DIM C	DIM D	DIM E	DIM F
09	4.90	1.80	2.40	3.03	4.35	3.00
11	5.50	2.40	3.00	3.63	4.95	3.60
13	6.10	3.00	3.60	4.23	5.55	4.20
15	6.70	3.60	4.20	4.83	6.15	4.80
17	7.30	4.20	4.80	5.43	6.75	5.40
19	7.90	4.80	5.40	6.03	7.35	6.00
21	8.50	5.40	6.00	6.63	7.95	6.60
23	9.10	6.00	6.60	7.23	8.55	7.20
25	9.70	6.60	7.20	7.83	9.15	7.80
27	10.30	7.20	7.80	8.43	9.75	8.40
29	10.90	7.80	8.40	9.03	10.35	9.00
31	11.50	8.40	9.00	9.63	10.95	9.60
33	12.10	9.00	9.60	10.23	11.55	10.20
35	12.70	9.60	10.20	10.83	12.15	10.80
37	13.30	10.20	10.80	11.43	12.75	11.40
39	13.90	10.80	11.40	12.03	13.35	12.00
41	14.50	11.40	12.00	12.63	13.95	12.60
43	15.10	12.00	12.60	13.23	14.55	13.20
45	15.70	12.60	13.20	13.83	15.15	13.80
47	16.30	13.20	13.80	14.43	15.75	14.40
49	16.90	13.80	14.40	15.03	16.35	15.00
51	17.50	14.40	15.00	15.63	16.95	15.60
53	18.10	15.00	15.60	16.23	17.55	16.20
55	18.70	15.60	16.20	16.83	18.15	16.80
57	19.30	16.20	16.80	17.43	18.75	17.40
59	19.90	16.80	17.40	18.03	19.35	18.00
61	20.50	17.40	18.00	18.63	19.95	18.60
63	21.10	18.00	18.60	19.23	20.55	19.20
65	21.70	18.60	19.20	19.83	21.15	19.80
67	22.30	19.20	19.80	20.43	21.75	20.40
69	22.90	19.80	20.40	21.03	22.35	21.00
71	23.50	20.40	21.00	21.63	22.95	21.60

		深圳市华德共创科技有限公司 Shenzhen Huade co-create Technology Co.,LTD 电话: 0755-23304126 传真: 0755-29940187						
		-TOLERANCES- UNLESS OTHERWISE SPECIFIED 公差参数表		 		TITLE: 产品名称: FPC 0.3间距1.0高前插后掀式		
X.X	±0.30	X.X*	±3°	APPD: 核准:	PART NO: 产品编号: 0.3K-HX-nPWB			
X.XX	±0.20	X.XX*	±2°	CHECK: 校对: 王建业	DATE	SCALE	UNIT	CODE NUMBER
X.XXX	±0.10	X.XXX*	±1°	DRAW: 绘图: 黄艳兰	2016-03-12	1:1	mm	A001

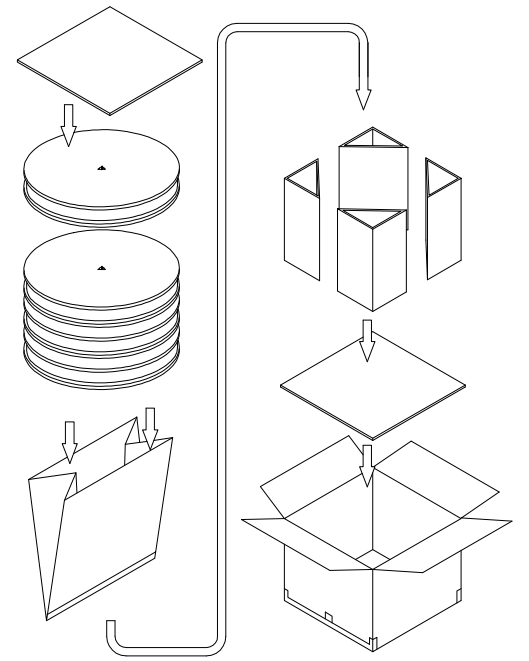
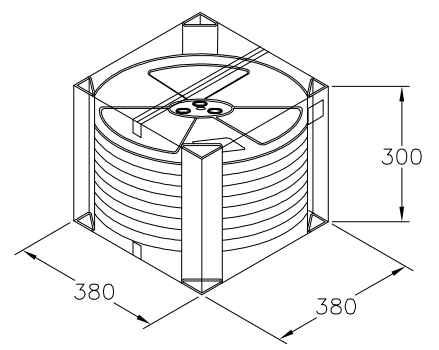
修 订 REV NO	标 记 MARK	修改摘要 REVISION DESCRIPTION	签名 SIGNATURE	日期 DATE
		NEW DRG		2016-03-12

SEE SHEET 1/2

- NOTES:
 1. ALL DIMENSION MEET EIA-481-3 REQUIREMENTS;
 2. CARRIER MATERIAL: PS, BLACK;
 3. PACKING QUALITY: 5000PCS/REEL;



SCALE 3:20



PACKING DISCRIPTION:

PIN No.	09~39	41~51	53~71				
REEL WIDTH	24.4	32.4	44.4				
PCS/REEL	5000	5000	5000	PIN NO.	DIM W	DIM F	DIM So
REEL/BOX	9	7	6	13~39	24.0	11.50±0.10	--
BOX/PCS	45K	35K	30K	41~51	32.0	14.20±0.10	28.4
CTN. SIZE	400*400*300			53~71	44.0	20.20±0.15	40.4



深圳市华德共创科技有限公司
Shenzhen Huade co-create Technology Co., LTD
电话: 0755-23304126 传真: 0755-29940187

TITLE:
产品名称: FPC 0.3间距1.0高前插后掀式

PART NO:
产品编号: 0.3K-HX-nPWB

-TOLERANCES- UNLESS OTHERWISE SPECIFIED 公差参数表				TITLE: 产品名称: FPC 0.3间距1.0高前插后掀式			
X.X	±0.30	X.X*	±3°	APPD: 核准:	PART NO: 产品编号: 0.3K-HX-nPWB		
X.XX	±0.20	X.XX*	±2°	CHECK: 校对: 王建业	DATE	SCALE	UNIT
X.XXX	±0.10	X.XXX*	±1°	DRAW: 绘图: 黄艳兰	2016-03-12	1:1	mm
					CODE NUMBER	A001	

X-ON Electronics

Largest Supplier of Electrical and Electronic Components

Click to view similar products for [FFC & FPC Connectors](#) category:

Click to view products by [HDGC](#) manufacturer:

Other Similar products are found below :

[00-6200-227-022-800](#) [006205250500825+](#) [006205280500825+](#) [FPH-1602G](#) [FPH-2022G](#) [52610-1275](#) [501864-3091-TR225](#)
[086222026001800](#) [52610-0675](#) [62674-201121DLF](#) [62684-36210E9ALF](#) [52746-1671-TR250](#) [10051922-2810EHLF](#) [686322124422](#) [XF3M-](#)
[2915-1B-R100](#) [AYF353125A](#) [AYF530665TA](#) [AYF534065TA](#) [AYF351525](#) [086212040340800+](#) [AYF530365TA](#) [67000-004LF](#)
[006207341915000+](#) [207356-1](#) [67000-003LF](#) [HFW14R-2STE9LF](#) [SFW12R-5STE9LF](#) [SFW18R-1STAE9LF](#) [SFW4R-5STE9LF](#) [52807-0430](#)
[046283021002868+](#) [502250-8027](#) [104267-9617](#) [66987-011LF](#) [HFW8S-2STAE1HLF](#) [67000-008LF](#) [HFW22R-2STE1H1LF](#) [0781271110](#)
[5019511030](#) [200528-0260](#) [5039084120](#) [503908-5120](#) [SFW20R-1STGE5LF](#) [FH12-18S-0.5SH](#) [686116183522](#) [FH64MA-11S-0.25SHW](#)
[686114183522](#) [502078-5362](#) [FH52K-68S-0.5SH](#) [FH26W-23S-0.3SHW\(60\)](#)