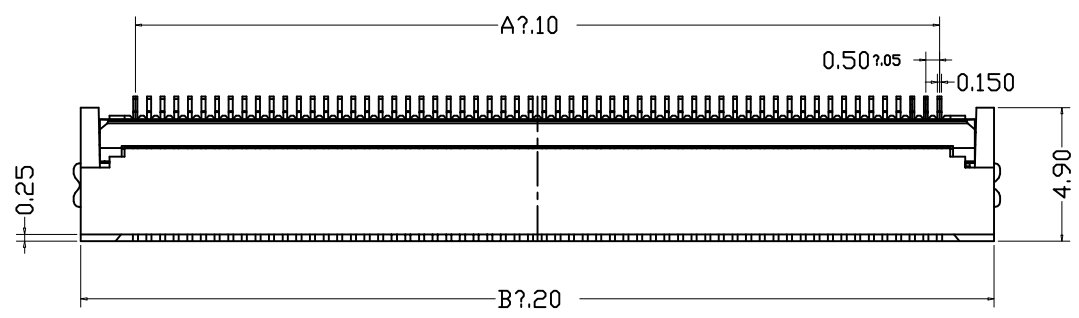
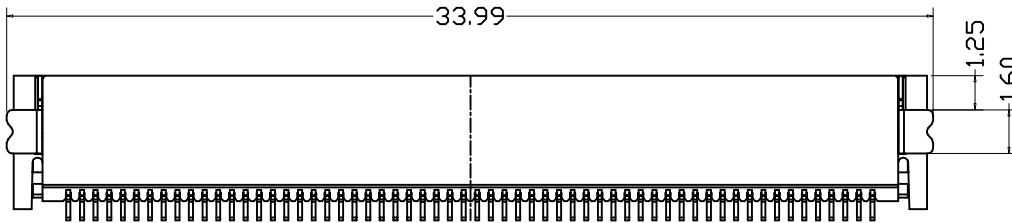
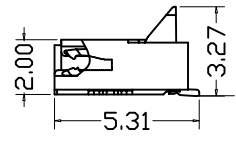
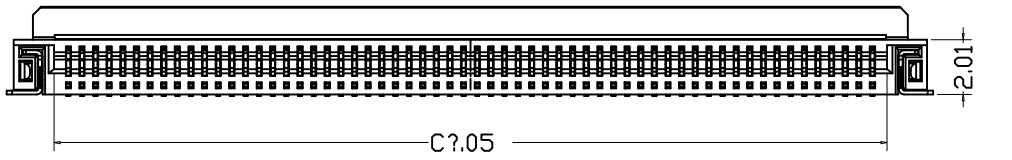


由 Autodesk 教育版产品制作

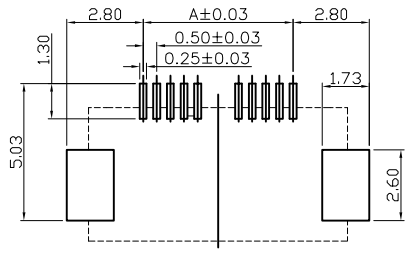
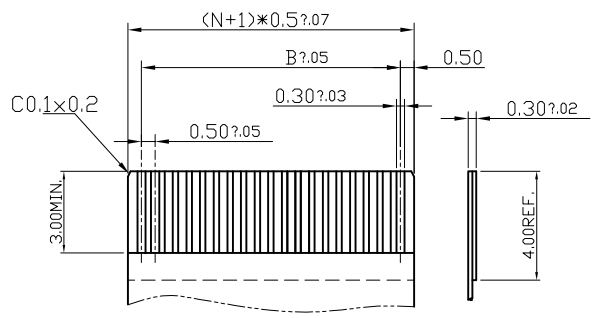
| 修 订 | 标 记 | 修 改 描 述 | 签 名 | 日 期 |
|-----|-----|-------------|-----------|------------|
| REV | NO. | DESCRIPTION | SIGNATURE | DATE |
| | | NEW DRG | | 2016-03-12 |



- NOTES:
- MATERIAL:
HOUSING: HIGHT-TEMP PLASTIC,UL 94-V0,COLOR:NATURE;
COVER: HIGHT-TEMP PLASTIC,UL 94-V0,COLOR:BLACK;
CONTACT: COPPER ALLOY;
LEG: Brass;
 - PLATING:
CONTACT: GOLD OR TIN PLATED ON NICKEL OVERALL.
LEG: TIN PLATED ON NICKEL OVERALL.
 - RATING:
CURRENT RATING: 0.5A AC/DC
VOLTAGE RATING: 25V AC/DC
TEMPERATURE RANGE: -25?~+85?;
 - PART NO:



| PIN NO. | DIM.A | DIM.B | DIM.C | PIN NO. | DIM.A | DIM.B | DIM.C | PIN NO. | DIM.A | DIM.B | DIM.C |
|---------|-------|-------|-------|---------|-------|-------|-------|---------|-------|-------|-------|
| 4 | 1.50 | 5.50 | 2.56 | 24 | 11.50 | 15.50 | 12.56 | 44 | 21.50 | 25.50 | 22.56 |
| 5 | 2.00 | 6.00 | 3.06 | 25 | 12.00 | 16.00 | 13.06 | 45 | 22.00 | 26.00 | 23.06 |
| 6 | 2.50 | 6.50 | 3.56 | 26 | 12.50 | 16.50 | 13.56 | 46 | 22.50 | 26.50 | 23.56 |
| 7 | 3.00 | 7.00 | 4.06 | 27 | 13.00 | 17.00 | 14.06 | 47 | 23.00 | 27.00 | 24.06 |
| 8 | 3.50 | 7.50 | 4.56 | 28 | 13.50 | 17.50 | 14.56 | 48 | 23.50 | 27.50 | 24.56 |
| 9 | 4.00 | 8.00 | 5.06 | 29 | 14.00 | 18.00 | 15.06 | 49 | 24.00 | 28.00 | 25.06 |
| 10 | 4.50 | 8.50 | 5.56 | 30 | 14.50 | 18.50 | 15.56 | 50 | 24.50 | 28.50 | 25.56 |
| 11 | 5.00 | 9.00 | 6.06 | 31 | 15.00 | 19.00 | 16.06 | 51 | 25.00 | 29.00 | 26.06 |
| 12 | 5.50 | 9.50 | 6.56 | 32 | 15.50 | 19.50 | 16.56 | 52 | 25.50 | 29.50 | 26.56 |
| 13 | 6.00 | 10.00 | 7.06 | 33 | 16.00 | 20.00 | 17.06 | 53 | 26.00 | 30.00 | 27.06 |
| 14 | 6.50 | 10.50 | 7.56 | 34 | 16.50 | 20.50 | 17.56 | 54 | 26.50 | 30.50 | 27.56 |
| 15 | 7.00 | 11.00 | 8.06 | 35 | 17.00 | 21.00 | 18.06 | 55 | 27.00 | 31.00 | 28.06 |
| 16 | 7.50 | 11.50 | 8.56 | 36 | 17.50 | 21.50 | 18.56 | 56 | 27.50 | 31.50 | 28.56 |
| 17 | 8.00 | 12.00 | 9.06 | 37 | 18.00 | 22.00 | 19.06 | 57 | 28.00 | 32.00 | 29.06 |
| 18 | 8.50 | 12.50 | 9.56 | 38 | 18.50 | 22.50 | 19.56 | 58 | 28.50 | 32.50 | 29.56 |
| 19 | 9.00 | 13.00 | 10.06 | 39 | 19.00 | 23.00 | 20.06 | 60 | 29.50 | 33.50 | 30.56 |
| 20 | 9.50 | 13.50 | 10.56 | 40 | 19.50 | 23.50 | 20.56 | | | | |
| 21 | 10.00 | 14.00 | 11.06 | 41 | 20.00 | 24.00 | 21.06 | | | | |
| 22 | 10.50 | 14.50 | 11.56 | 42 | 20.50 | 24.50 | 21.56 | | | | |
| 23 | 11.00 | 15.00 | 12.06 | 43 | 21.00 | 25.00 | 22.06 | | | | |



APPLICABLE FFC
TOLERANCE:±0.05

RECOMMEND PCB LAYOUT
TOLERANCE:±0.05



深圳市华德共创科技有限公司
Shenzhen Huade co-create Technology Co.,LTD
电话: 0755-27111225 传真: 0755-29940187

| | | | | | | | | |
|---|-------|---|------------------------------------|-------------------|--------------------------------|-------|------|-------------|
| -TOLERANCES- UNLESS OTHERWISE SPECIFIED 公差参数表 | |   | TITLE: 产品名称: FPC 0.5间距2.0高前插后掀式 | | | | | |
| X.X | ±0.30 | X.X* | ±3° | APPD: 核准: | PART NO: 产品编号: 0520-HX-nPWB | | | |
| X.XX | ±0.20 | X.XX* | ±2° | CHECK: 校对: 王建业 | DATE | SCALE | UNIT | CODE NUMBER |
| X.XXX | ±0.10 | X.XXX* | ±1° | DRAW: 绘图: 黄艳兰 | 2016-03-12 | 1:1 | mm | A001 |

由 Autodesk 教育版产品制作

X-ON Electronics

Largest Supplier of Electrical and Electronic Components

Click to view similar products for [FFC & FPC Connectors](#) category:

Click to view products by [HDGC](#) manufacturer:

Other Similar products are found below :

[00-6200-227-022-800](#) [006205250500825+](#) [006205280500825+](#) [FPH-1602G](#) [086222026001800](#) [52610-0675](#) [62674-201121DLF](#) [52746-1671-TR250](#) [10051922-1610EHLF](#) [10051922-2810EHLF](#) [686322124422](#) [XF3M-2915-1B-R100](#) [AYF353125A](#) [AYF530665TA](#) [AYF534065TA](#) [20FLH-RSM1-TB](#) [PCA-7F-25-HL-3-G](#) [207356-1](#) [52807-0430](#) [FFC05011-10SBB114W5M](#) [502250-8027](#) [FH28K-40S-0.5SH](#) [200528-0260](#) [FH28K-10S-0.5SH](#) [501951-1250](#) [X05B20U43T](#) [0.5K-DX-30PWB](#) [DS1020-08-10VBT12](#) [THD0515-34CL-GF](#) [X05A10L28G](#) [ECC2841061EU](#) [20539-030E-01](#) [1.0K-DHQX-16PWB](#) [1.0K-DHQX-30PWB](#) [1775333-6](#) [10054365-202110ELF](#) [10054365-242110ELF](#) [10054365-282110ELF](#) [10064555-392220HLF](#) [59453-041110EBHLF](#) [59453-091110EDHLF](#) [62674-241141ALF](#) [62684-432100ALF](#) [62684-451100AHLF](#) [62684-5721N0ALF](#) [HFW11R-1STE1MTLF](#) [HFW12R-1STE9LF](#) [HFW14R-1STE9MTLF](#) [HFW18S-2STE9LF](#) [HFW20R-1STAE1HLF](#)