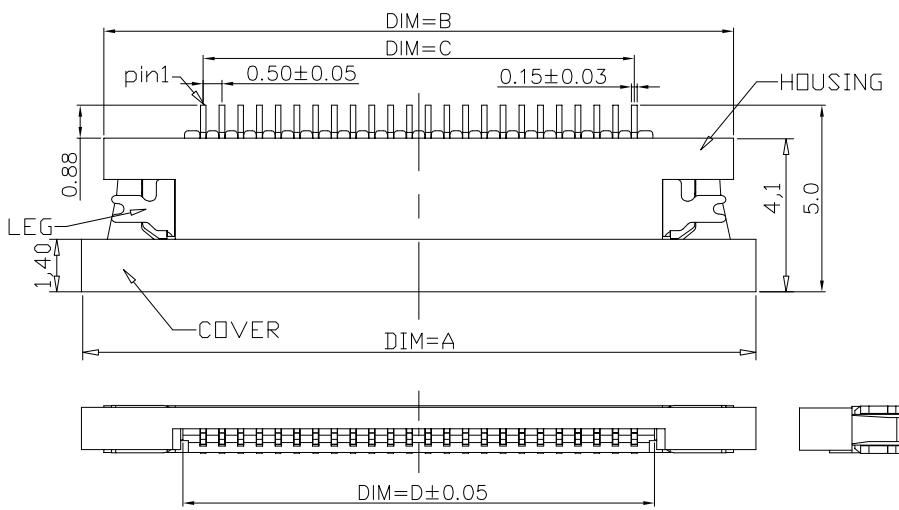
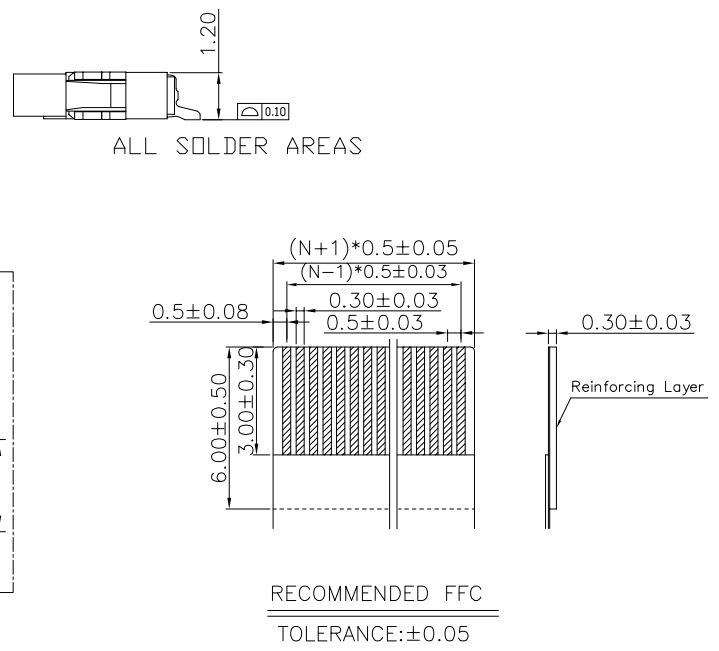
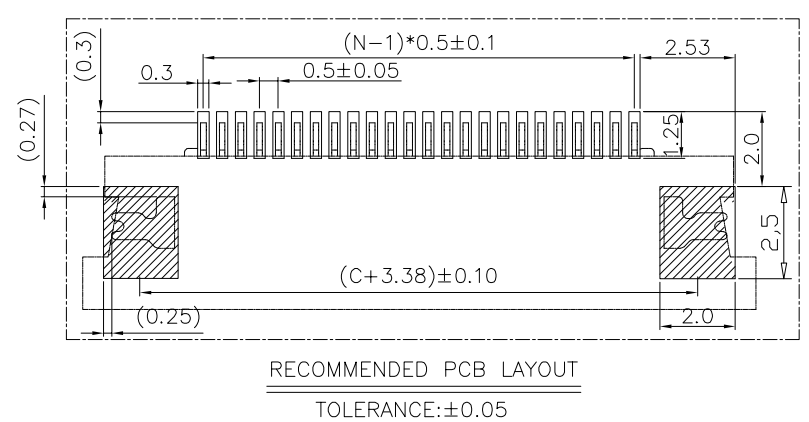




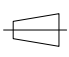
|           |      |                         |           |            |
|-----------|------|-------------------------|-----------|------------|
| 修订        | 标记   | 修改摘要                    | 签名        | 日期         |
| REV<br>NO | MARK | REVISION<br>DESCRIPTION | SIGNATURE | DATE       |
|           |      | NEW DWG                 |           | 2016-03-12 |

|   |     |        |        |        |        |
|---|-----|--------|--------|--------|--------|
| 1 |     |        |        |        |        |
| 2 | PIN | DIM. A | DIM. B | DIM. C | DIM. D |
|   | 04  | 8.00   | 6.80   | 1.50   | 2.58   |
|   | 05  | 8.50   | 7.30   | 2.00   | 3.08   |
|   | 06  | 9.00   | 7.80   | 2.50   | 3.58   |
|   | 07  | 9.50   | 8.30   | 3.00   | 4.08   |
|   | 08  | 10.00  | 8.80   | 3.50   | 4.58   |
|   | 09  | 10.50  | 9.30   | 4.00   | 5.08   |
| 3 | 10  | 11.00  | 9.80   | 4.50   | 5.58   |
|   | 11  | 11.50  | 10.30  | 5.00   | 6.08   |
|   | 12  | 12.00  | 10.80  | 5.50   | 6.58   |
|   | 13  | 12.50  | 11.30  | 6.00   | 7.08   |
|   | 14  | 13.00  | 11.80  | 6.50   | 7.58   |
|   | 15  | 13.50  | 12.30  | 7.00   | 8.08   |
|   | 16  | 14.00  | 12.80  | 7.50   | 8.58   |
|   | 17  | 14.50  | 13.30  | 8.00   | 9.08   |
| 4 | 18  | 15.00  | 13.80  | 8.50   | 9.58   |
|   | 19  | 15.50  | 14.30  | 9.00   | 10.08  |
|   | 20  | 16.00  | 14.80  | 9.50   | 10.58  |
|   | 21  | 16.50  | 15.30  | 10.00  | 11.08  |
|   | 22  | 17.00  | 15.80  | 10.50  | 11.58  |
|   | 23  | 17.50  | 16.30  | 11.00  | 12.08  |
|   | 24  | 18.00  | 16.80  | 11.50  | 12.58  |
|   | 25  | 18.50  | 17.30  | 12.00  | 13.08  |
|   | 26  | 19.00  | 17.80  | 12.50  | 13.58  |
| 5 | 27  | 19.50  | 18.30  | 13.00  | 14.08  |
|   | 28  | 20.00  | 18.80  | 13.50  | 14.58  |
|   | 29  | 20.50  | 19.30  | 14.00  | 15.08  |
|   | 30  | 21.00  | 19.80  | 14.50  | 15.58  |
|   | 31  | 21.50  | 20.30  | 15.00  | 16.08  |
|   | 32  | 22.00  | 20.80  | 15.50  | 16.58  |
| 6 | 33  | 22.50  | 21.30  | 16.00  | 17.08  |
|   | 34  | 23.00  | 21.80  | 16.50  | 17.58  |
|   | 35  | 23.50  | 22.30  | 17.00  | 18.08  |
|   | 36  | 24.00  | 22.80  | 17.50  | 18.58  |
|   | 37  | 24.50  | 23.30  | 18.00  | 19.08  |
|   | 38  | 25.00  | 23.80  | 18.50  | 19.58  |
|   | 39  | 25.50  | 24.30  | 19.00  | 20.08  |
|   | 40  | 26.00  | 24.80  | 19.50  | 20.58  |
|   | 41  | 26.50  | 25.30  | 20.00  | 21.08  |
|   | 42  | 27.00  | 25.80  | 20.50  | 21.58  |
| 7 | 43  | 27.50  | 26.30  | 21.00  | 22.08  |
|   | 44  | 28.00  | 26.80  | 21.50  | 22.58  |
|   | 45  | 28.50  | 27.30  | 22.00  | 23.08  |
|   | 50  | 31.00  | 29.80  | 24.50  | 25.58  |
|   | 51  | 31.50  | 30.30  | 25.00  | 26.08  |
|   | 52  | 32.00  | 30.80  | 25.50  | 26.58  |
|   | 53  | 32.50  | 31.30  | 26.00  | 27.08  |
|   | 54  | 33.00  | 31.80  | 26.50  | 27.58  |
| 8 | 55  | 33.50  | 32.30  | 27.00  | 28.08  |
|   | 56  | 34.00  | 32.80  | 27.50  | 28.58  |
|   | 57  | 34.50  | 33.30  | 28.00  | 29.08  |
|   | 58  | 35.00  | 33.80  | 28.50  | 29.58  |
|   | 59  | 35.50  | 34.30  | 29.00  | 30.08  |
|   | 60  | 36.00  | 34.80  | 29.50  | 30.58  |

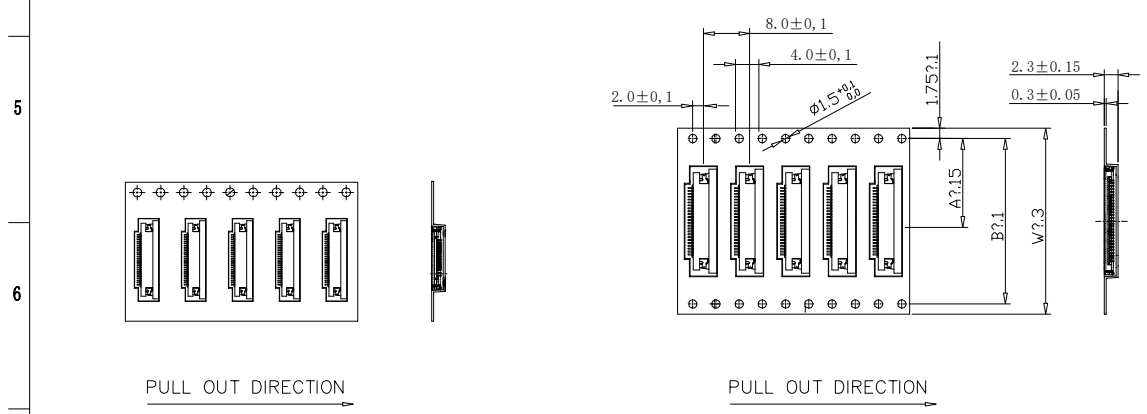
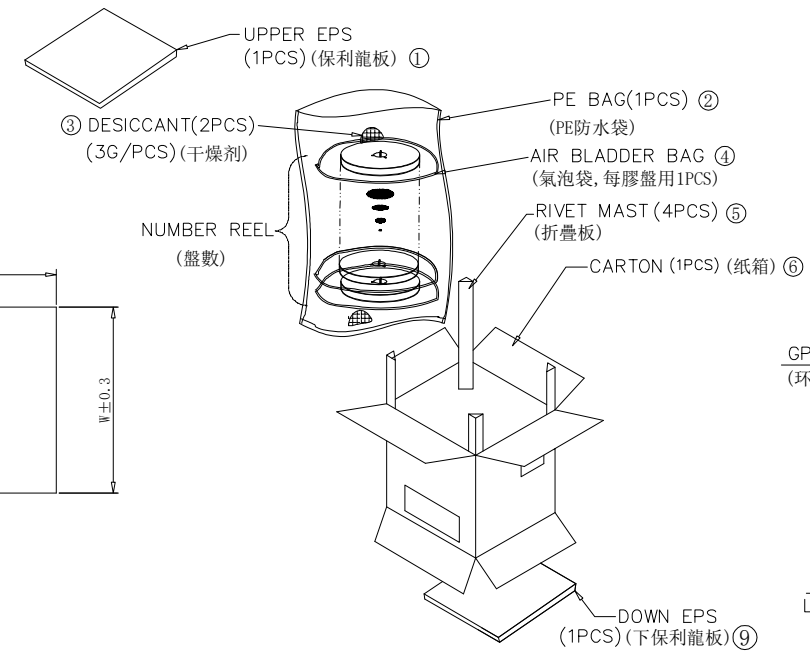
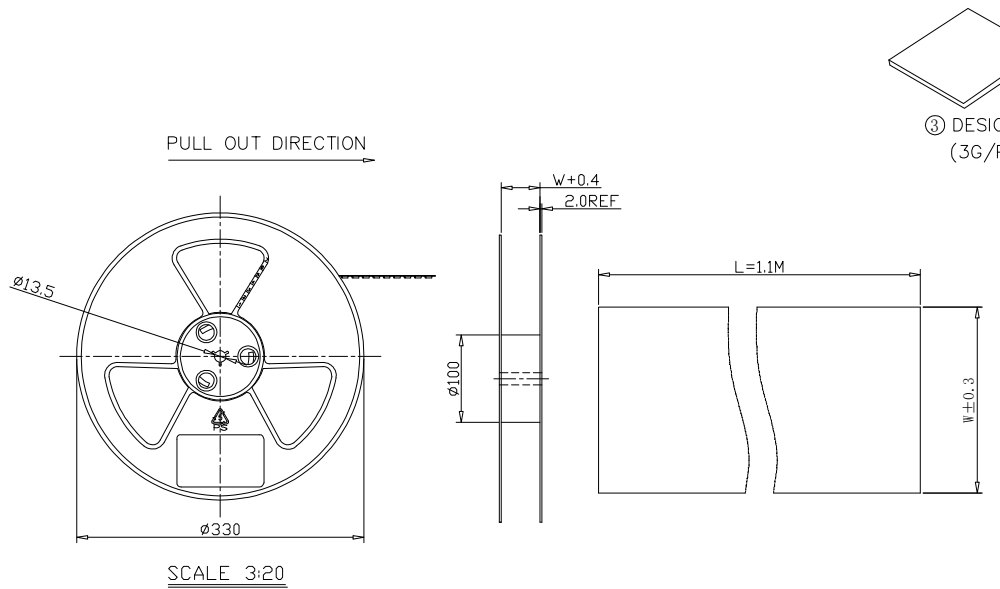


- NOTES:
- MATERIAL:  
HOUSING: LCP UL 94V-0, COLOR:NATURE  
ACTUATOR: LCP UL 94V-0, COLOR:BLACK  
TERMINAL: PHOSPHOR BRONZE  
STOPPER: BRASS
  - PLATING:  
TERMINAL: TIN OVER NICKEL  
STOPPER: TIN OVER NICKEL
  - PATING:  
CURRENT RATING:0.4A (AC/DC)  
OPERATING VOLTAGE:50V (AC/DC)  
OPERATING TEMPERATURE: -55°C~+85°C




|   |       |   |     |                                    |                                  |       |      |             |
|---|-------|---|-----|------------------------------------|----------------------------------|-------|------|-------------|
|  |       | <b>深圳市华德共创科技有限公司</b><br>Shenzhen Huade co-create Technology Co.,LTD<br>电话: 0755-23304126 传真: 0755-29940187  |     |                                    |                                  |       |      |             |
| -TOLERANCES-<br>UNLESS OTHERWISE SPECIFIED<br>公差参数表                                   |       |   |     | TITLE:<br>产品名称: FPC 0.5间距1.2高下接抽屉式 |                                  |       |      |             |
| X.X   | ±0.30 | X.X°  | ±3° | APPD:<br>核准:                       | PART NO:<br>产品编号: 0.5K-1.2X-nPWB |       |      |             |
| X.XX  | ±0.20 | X.XX°   | ±2° | CHECK:<br>校对: 王建业                  | DATE                             | SCALE | UNIT | CODE NUMBER |
| X.XXX   | ±0.10 | X.XXX°  | ±1° | DRAW:<br>绘图: 黄艳兰                   | 2016-03-12                       | 1:1   | mm   | A001        |

|                 |            |                              |                 |            |
|-----------------|------------|------------------------------|-----------------|------------|
| 修订<br>REV<br>NO | 标记<br>MARK | 修改摘要<br>REVISION DESCRIPTION | 签名<br>SIGNATURE | 日期<br>DATE |
|                 |            | NEW DRG                      |                 | 2016-03-12 |


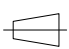


- NOTES:
- CARTON SPEC.: 350\*350\*340mm(OUT DIM), PAPER THICKNESS=5mm
  - UPPER AND DOWN EPS: 340\*340mm THICKNESS=8mm.
  - THE COVER TAPE PEELING FORCE: 30~100g.
  - PER REEL CASED ONE AIR BLADDER BAG.
  - CARRIER TAPE COLIR: BLACK.
  - CONNENCE ANG ENDED 200mm(200PCS) DON'T PUT IN PRODUCE.

| PIN NO.     | W  | A    | B    | A0                              | B0  | PCS /REEL | REEL/CARTON | SUM(PCS) |
|-------------|----|------|------|---------------------------------|-----|-----------|-------------|----------|
| 4PIN~8PIN   | 16 | 7.5  | —    | 6.4+<br>(n-4)*0.5<br>(n=pin no) | 5.5 | 4000      | 14          | 56000    |
| 9PIN~24PIN  | 24 | 11.5 | —    |                                 | 5.5 | 4000      | 10          | 40000    |
| 25PIN~36PIN | 32 | 14.2 | 28.4 |                                 | 5.5 | 4000      | 8           | 32000    |
| 37PIN~55PIN | 44 | 20.2 | 40.4 |                                 | 5.5 | 4000      | 6           | 24000    |
| 56PIN~60PIN | 56 | 26.2 | 52.4 |                                 | 5.5 | 4000      | 5           | 20000    |



深圳市华德共创科技有限公司  
Shenzhen Huade co-create Technology Co., LTD  
电话: 0755-23304126 传真: 0755-29940187

|   |       |   |                                    |                   |  |                                  |       |      |             |
|---|-------|---|------------------------------------|-------------------|--|----------------------------------|-------|------|-------------|
| -TOLERANCES-<br>UNLESS OTHERWISE SPECIFIED<br>公差参数表 |       |   | TITLE:<br>产品名称: FPC 0.5间距1.2高下接抽展式 |                   |  |                                  |       |      |             |
| X.X   | ±0.30 | X.X°  | ±3°                                | APPD:<br>核准:      |  | PART NO:<br>产品编号: 0.5K-1.2X-nPWB |       |      |             |
| X.XX  | ±0.20 | X.XX°   | ±2°                                | CHECK:<br>校对: 王建业 |  | DATE                             | SCALE | UNIT | CODE NUMBER |
| X.XXX   | ±0.10 | X.XXX°  | ±1°                                | DRAW:<br>绘图: 黄艳兰  |  | 2016-03-12                       | 1:1   | mm   | A001        |

## X-ON Electronics

Largest Supplier of Electrical and Electronic Components

*Click to view similar products for [FFC & FPC Connectors](#) category:*

*Click to view products by [HDGC](#) manufacturer:*

Other Similar products are found below :

[00-6200-227-022-800](#) [006205250500825+](#) [006205280500825+](#) [FPH-1602G](#) [086222026001800](#) [52610-0675](#) [62674-201121DLF](#) [52746-1671-TR250](#) [10051922-1610EHLF](#) [10051922-2810EHLF](#) [686322124422](#) [XF3M-2915-1B-R100](#) [AYF353125A](#) [AYF530665TA](#) [AYF534065TA](#) [20FLH-RSM1-TB](#) [PCA-7F-25-HL-3-G](#) [207356-1](#) [52807-0430](#) [FFC05011-10SBB114W5M](#) [502250-8027](#) [FH28K-40S-0.5SH](#) [200528-0260](#) [FH28K-10S-0.5SH](#) [501951-1250](#) [X05B20U43T](#) [0.5K-DX-30PWB](#) [DS1020-08-10VBT12](#) [THD0515-34CL-GF](#) [X05A10L28G](#) [ECC2841061EU](#) [20539-030E-01](#) [1.0K-DHQX-16PWB](#) [1.0K-DHQX-30PWB](#) [1775333-6](#) [10054365-202110ELF](#) [10054365-242110ELF](#) [10054365-282110ELF](#) [10064555-392220HLF](#) [59453-041110EBHLF](#) [59453-091110EDHLF](#) [62674-241141ALF](#) [62684-432100ALF](#) [62684-451100AHLF](#) [62684-5721N0ALF](#) [HFW11R-1STE1MTLF](#) [HFW12R-1STE9LF](#) [HFW14R-1STE9MTLF](#) [HFW18S-2STE9LF](#) [HFW20R-1STAE1HLF](#)