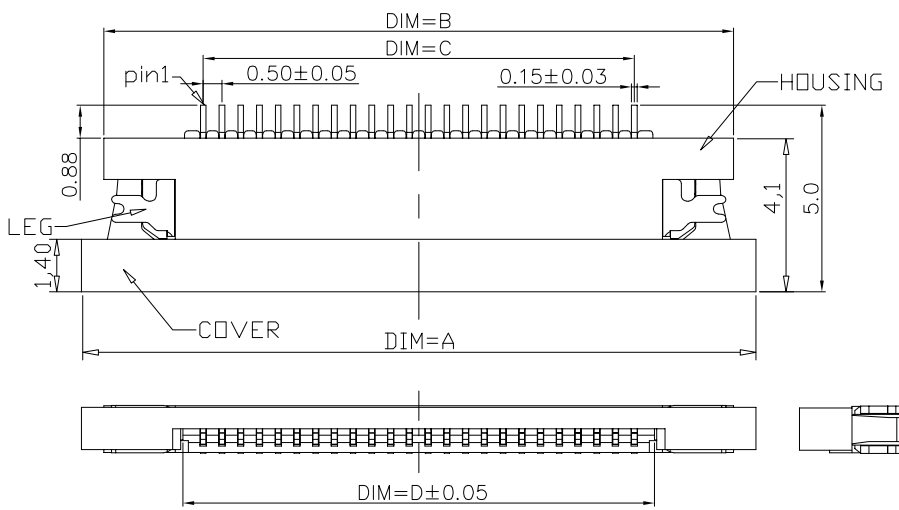


修订 REV NO	标记 MARK	修改摘要 REVISION DESCRIPTION	签名 SIGNATURE	日期 DATE
		NEW DWG		2016-03-12

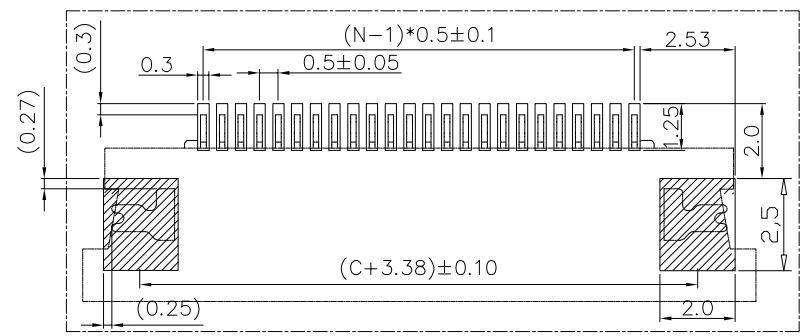
1					
2	PIN	DIM. A	DIM. B	DIM. C	DIM. D
	04	8.00	6.80	1.50	2.58
	05	8.50	7.30	2.00	3.08
	06	9.00	7.80	2.50	3.58
	07	9.50	8.30	3.00	4.08
	08	10.00	8.80	3.50	4.58
	09	10.50	9.30	4.00	5.08
3	10	11.00	9.80	4.50	5.58
	11	11.50	10.30	5.00	6.08
	12	12.00	10.80	5.50	6.58
	13	12.50	11.30	6.00	7.08
	14	13.00	11.80	6.50	7.58
	15	13.50	12.30	7.00	8.08
	16	14.00	12.80	7.50	8.58
	17	14.50	13.30	8.00	9.08
4	18	15.00	13.80	8.50	9.58
	19	15.50	14.30	9.00	10.08
	20	16.00	14.80	9.50	10.58
	21	16.50	15.30	10.00	11.08
	22	17.00	15.80	10.50	11.58
	23	17.50	16.30	11.00	12.08
	24	18.00	16.80	11.50	12.58
	25	18.50	17.30	12.00	13.08
	26	19.00	17.80	12.50	13.58
5	27	19.50	18.30	13.00	14.08
	28	20.00	18.80	13.50	14.58
	29	20.50	19.30	14.00	15.08
	30	21.00	19.80	14.50	15.58
	31	21.50	20.30	15.00	16.08
	32	22.00	20.80	15.50	16.58
6	33	22.50	21.30	16.00	17.08
	34	23.00	21.80	16.50	17.58
	35	23.50	22.30	17.00	18.08
	36	24.00	22.80	17.50	18.58
	37	24.50	23.30	18.00	19.08
	38	25.00	23.80	18.50	19.58
	39	25.50	24.30	19.00	20.08
	40	26.00	24.80	19.50	20.58
	41	26.50	25.30	20.00	21.08
	42	27.00	25.80	20.50	21.58
7	43	27.50	26.30	21.00	22.08
	44	28.00	26.80	21.50	22.58
	45	28.50	27.30	22.00	23.08
	50	31.00	29.80	24.50	25.58
	51	31.50	30.30	25.00	26.08
	52	32.00	30.80	25.50	26.58
	53	32.50	31.30	26.00	27.08
	54	33.00	31.80	26.50	27.58
8	55	33.50	32.30	27.00	28.08
	56	34.00	32.80	27.50	28.58
	57	34.50	33.30	28.00	29.08
	58	35.00	33.80	28.50	29.58
	59	35.50	34.30	29.00	30.08
	60	36.00	34.80	29.50	30.58



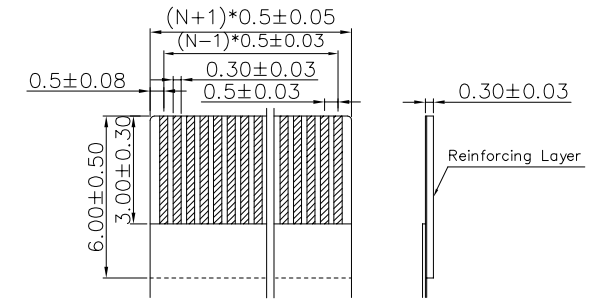
NOTES:

- MATERIAL:
HOUSING: LCP UL 94V-0, COLOR:NATURE
ACTUATOR: LCP UL 94V-0, COLOR:BLACK
TERMINAL: PHOSPHOR BRONZE
STOPPER: BRASS
- PLATING:
TERMINAL: TIN OVER NICKEL
STOPPER: TIN OVER NICKEL
- PATING:
CURRENT RATING:0.4A (AC/DC)
OPERATING VOLTAGE:50V (AC/DC)
OPERATING TEMPERATURE: -55°C~+85°C



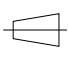
ALL SOLDER AREAS
1.20
0.10



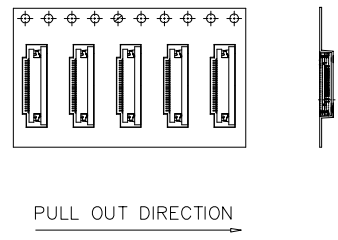
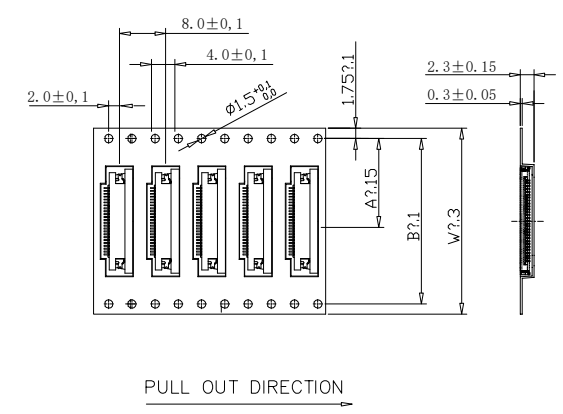
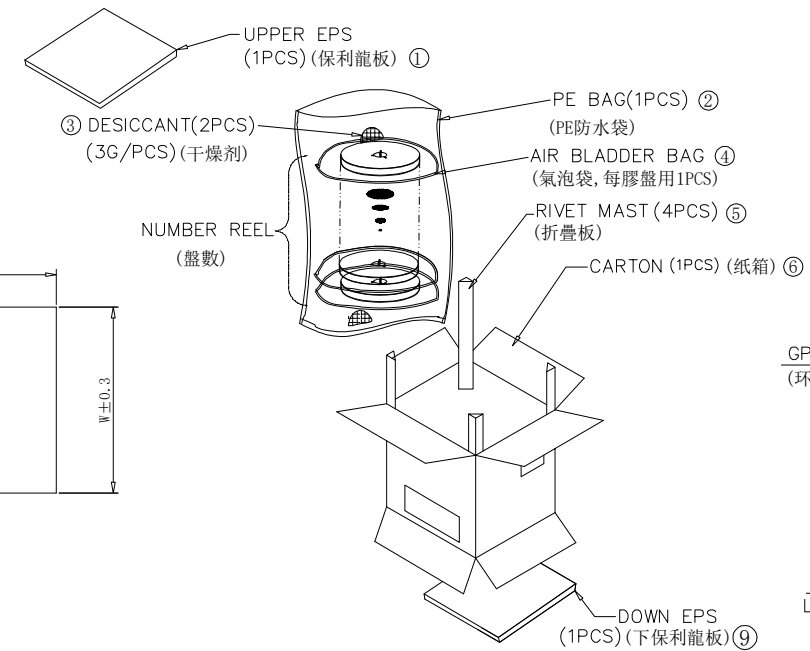
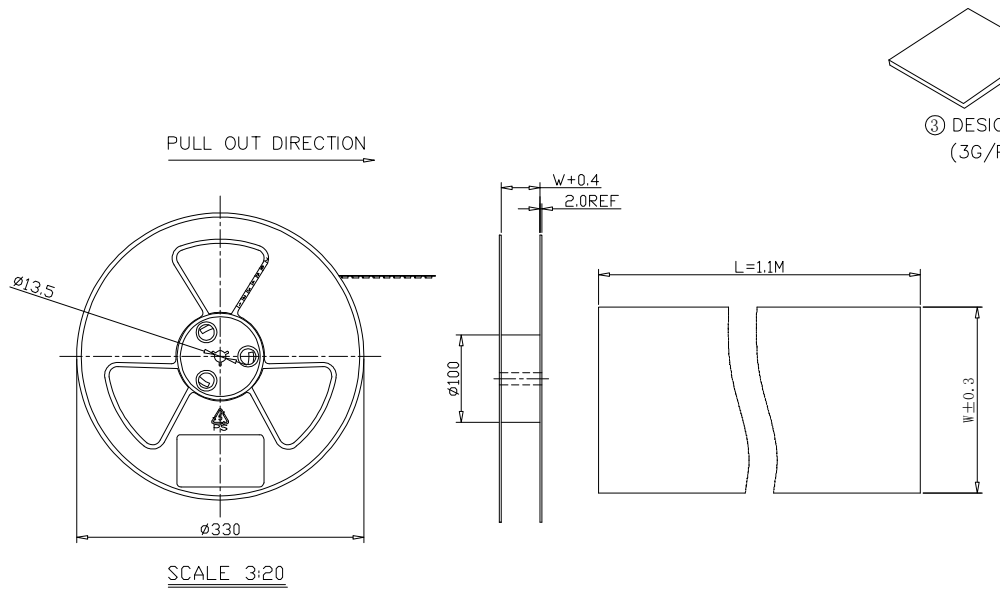
RECOMMENDED PCB LAYOUT
TOLERANCE:±0.05



RECOMMENDED FFC
TOLERANCE:±0.05


		深圳市华德共创科技有限公司 Shenzhen Huade co-create Technology Co.,LTD 电话: 0755-23304126 传真: 0755-29940187						
-TOLERANCES- UNLESS OTHERWISE SPECIFIED 公差参数表		 		TITLE: 产品名称: FPC 0.5间距1.2高下接抽屉式				
X.X	±0.30	X.X°	±3°	APPD: 核准:	PART NO: 产品编号: 0.5K-1.2X-nPWB			
X.XX	±0.20	X.XX°	±2°	CHECK: 校对: 王建业	DATE	SCALE	UNIT	CODE NUMBER
X.XXX	±0.10	X.XXX°	±1°	DRAW: 绘图: 黄艳兰	2016-03-12	1:1	mm	A001

修订 REV NO	标记 MARK	修改摘要 REVISION DESCRIPTION	签名 SIGNATURE	日期 DATE
		NEW DRG		2016-03-12


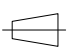


- NOTES:
- CARTON SPEC.: 350*350*340mm(OUT DIM), PAPER THICKNESS=5mm
 - UPPER AND DOWN EPS: 340*340mm THICKNESS=8mm.
 - THE COVER TAPE PEELING FORCE: 30~100g.
 - PER REEL CASED ONE AIR BLADDER BAG.
 - CARRIER TAPE COLIR: BLACK.
 - CONNENCE ANG ENDED 200mm(200PCS) DON'T PUT IN PRODUCE.

PIN NO.	W	A	B	A0	B0	PCS /REEL	REEL/CARTON	SUM(PCS)
4PIN~8PIN	16	7.5	—	6.4+ (n-4)*0.5 (n=pin no)	5.5	4000	14	56000
9PIN~24PIN	24	11.5	—		5.5	4000	10	40000
25PIN~36PIN	32	14.2	28.4		5.5	4000	8	32000
37PIN~55PIN	44	20.2	40.4		5.5	4000	6	24000
56PIN~60PIN	56	26.2	52.4		5.5	4000	5	20000



深圳市华德共创科技有限公司
Shenzhen Huade co-create Technology Co., LTD
电话: 0755-23304126 传真: 0755-29940187

-TOLERANCES- UNLESS OTHERWISE SPECIFIED 公差参数表		 	TITLE: 产品名称: FPC 0.5间距1.2高下接抽展式					
X.X	±0.30	X.X°	±3°	PART NO: 产品编号: 0.5K-1.2X-nPWB				
X.XX	±0.20	X.XX°	±2°	CHECK: 校对: 王建业	DATE	SCALE	UNIT	CODE NUMBER
X.XXX	±0.10	X.XXX°	±1°	DRAW: 绘图: 黄艳兰	2016-03-12	1:1	mm	A001

X-ON Electronics

Largest Supplier of Electrical and Electronic Components

Click to view similar products for [FFC & FPC Connectors](#) category:

Click to view products by [HDGC](#) manufacturer:

Other Similar products are found below :

[00-6200-227-022-800](#) [006205250500825+](#) [006205280500825+](#) [FPH-1602G](#) [086222026001800](#) [52610-0675](#) [62674-201121DLF](#) [52746-1671-TR250](#) [10051922-1610EHLF](#) [10051922-2810EHLF](#) [686322124422](#) [XF3M-2915-1B-R100](#) [AYF353125A](#) [AYF530665TA](#) [AYF534065TA](#) [20FLH-RSM1-TB](#) [207356-1](#) [SFW12R-5STE9LF](#) [SFW18R-1STAE9LF](#) [SFW4R-5STE9LF](#) [52807-0430](#) [046283021002868+](#) [FFC05011-10SBB114W5M](#) [502250-8027](#) [67000-008LF](#) [200528-0260](#) [FH28K-10S-0.5SH](#) [FH52K-6S-0.5SH](#) [0.5K-DX-30PWB](#) [DS1020-08-10VBT12](#) [THD0515-34CL-GF](#) [X05A10L28G](#) [ECC2841061EU](#) [1.0K-DHQX-16PWB](#) [1.0K-DHQX-30PWB](#) [1775333-6](#) [10054365-202110ELF](#) [10054365-242110ELF](#) [10054365-282110ELF](#) [10064555-392220HLF](#) [59453-041110EBHLF](#) [59453-091110EDHLF](#) [62674-241141ALF](#) [62684-432100ALF](#) [62684-451100AHLF](#) [62684-5721N0ALF](#) [HFW11R-1STE1MTLF](#) [HFW12R-1STE9LF](#) [HFW14R-1STE9MTLF](#) [HFW18S-2STE9LF](#)