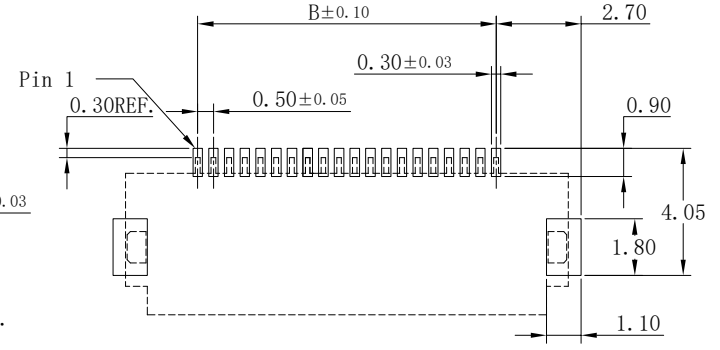
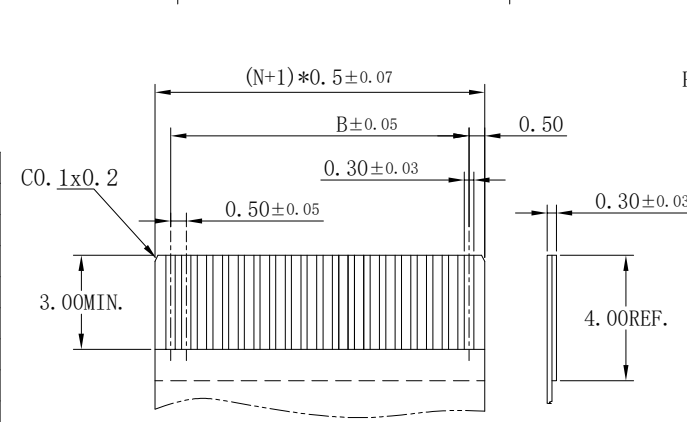
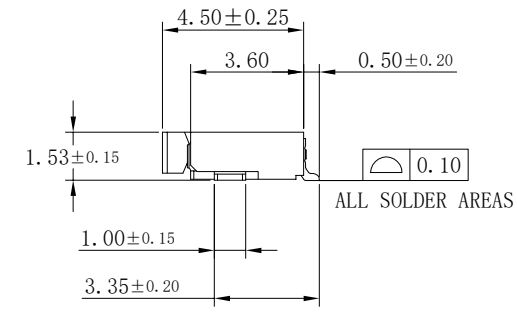
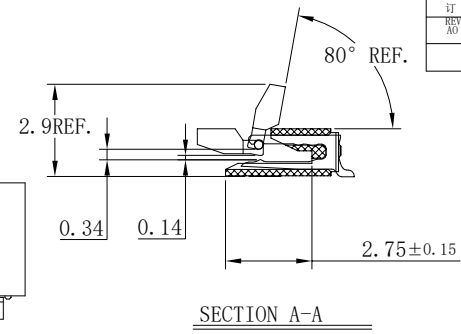
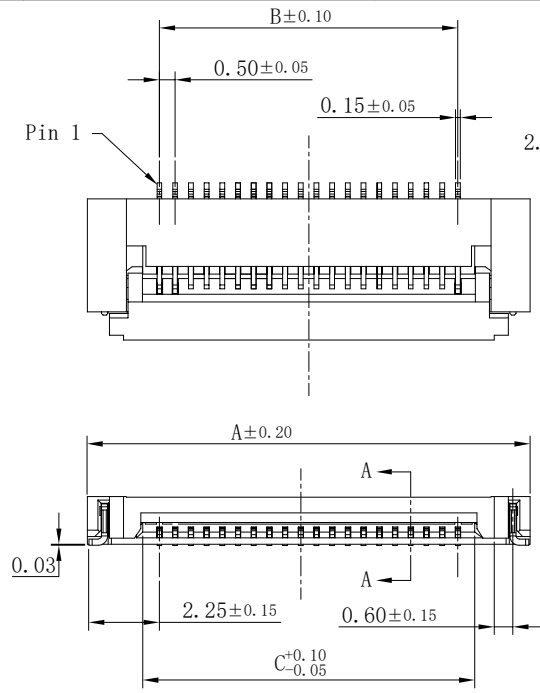


| | | | | |
|---------------------|----------------|---|---------------------|----------------|
| 修 订 REV NO | 标 记 MARK | 修 改 描 要 REVISION DESCRIPTION | 签 名 SIGNATURE | 日 期 DATE |
| | | NEW DRG | | 2016-03-12 |

- NOTES:
- MATERIAL:
HOUSING: HIGHT-TEMP PLASTIC, UL 94-V0, COLOR:NATURE;
COVER: HIGHT-TEMP PLASTIC, UL 94-V0, COLOR:BLACK;
CONTACT: COPPER ALLOY;
LEG: **Brass** ;
 - PLATING:
CONTACT: GOLD OR TIN PLATED ON NICKEL OVERALL.
LEG: TIN PLATED ON NICKEL OVERALL.
 - RATING:
CURRENT RATING: 0.5A AC/DC
VOLTAGE RATING: 25V AC/DC
TEMPERATURE RANGE: -25° C~+85° C;



APPLICABLE FFC
TOLERANCE: ±0.05

RECOMMEND PCB LAYOUT
TOLERANCE: ±0.05

| PIN NO. | DIM.A | DIM.B | DIM.C | PIN NO. | DIM.A | DIM.B | DIM.C | PIN NO. | DIM.A | DIM.B | DIM.C |
|---------|-------|-------|-------|---------|-------|-------|-------|---------|-------|-------|-------|
| 4 | 6.10 | 1.50 | 2.57 | 24 | 16.10 | 11.50 | 12.57 | 44 | 26.10 | 21.50 | 22.57 |
| 5 | 6.60 | 2.00 | 3.07 | 25 | 16.60 | 12.00 | 13.07 | 45 | 26.60 | 22.00 | 23.07 |
| 6 | 7.10 | 2.50 | 3.57 | 26 | 17.10 | 12.50 | 13.57 | 46 | 27.10 | 22.50 | 23.57 |
| 7 | 7.60 | 3.00 | 4.07 | 27 | 17.60 | 13.00 | 14.07 | 47 | 27.60 | 23.00 | 24.07 |
| 8 | 8.10 | 3.50 | 4.57 | 28 | 18.10 | 13.50 | 14.57 | 48 | 28.10 | 23.50 | 24.57 |
| 9 | 8.60 | 4.00 | 5.07 | 29 | 18.60 | 14.00 | 15.07 | 49 | 28.60 | 24.00 | 25.07 |
| 10 | 9.10 | 4.50 | 5.57 | 30 | 19.10 | 14.50 | 15.57 | 50 | 29.10 | 24.50 | 25.57 |
| 11 | 9.60 | 5.00 | 6.07 | 31 | 19.60 | 15.00 | 16.07 | 51 | 29.60 | 25.00 | 26.07 |
| 12 | 10.10 | 5.50 | 6.57 | 32 | 20.10 | 15.50 | 16.57 | 52 | 30.10 | 25.50 | 26.57 |
| 13 | 10.60 | 6.00 | 7.07 | 33 | 20.60 | 16.00 | 17.07 | 53 | 30.60 | 26.00 | 27.07 |
| 14 | 11.10 | 6.50 | 7.57 | 34 | 21.10 | 16.50 | 17.57 | 54 | 31.10 | 26.50 | 27.57 |
| 15 | 11.60 | 7.00 | 8.07 | 35 | 21.60 | 17.00 | 18.07 | 55 | 31.60 | 27.00 | 28.07 |
| 16 | 12.10 | 7.50 | 8.57 | 36 | 22.10 | 17.50 | 18.57 | 56 | 32.10 | 27.50 | 28.57 |
| 17 | 12.60 | 8.00 | 9.07 | 37 | 22.60 | 18.00 | 19.07 | 57 | 32.60 | 28.00 | 29.07 |
| 18 | 13.10 | 8.50 | 9.57 | 38 | 23.10 | 18.50 | 19.57 | 58 | 33.10 | 28.50 | 29.57 |
| 19 | 13.60 | 9.00 | 10.07 | 39 | 23.60 | 19.00 | 20.07 | 60 | 34.10 | 29.50 | 30.57 |
| 20 | 14.10 | 9.50 | 10.57 | 40 | 24.10 | 19.50 | 20.57 | 61 | 34.60 | 30.00 | 31.07 |
| 21 | 14.60 | 10.00 | 11.07 | 41 | 24.60 | 20.00 | 21.07 | 68 | 38.10 | 33.50 | 34.57 |
| 22 | 15.10 | 10.50 | 11.57 | 42 | 25.10 | 20.50 | 21.57 | 70 | 39.10 | 34.50 | 35.57 |
| 23 | 15.60 | 11.00 | 12.07 | 43 | 25.60 | 21.00 | 22.07 | 80 | 44.10 | 39.50 | 40.57 |

深圳市华德共创科技有限公司
Shenzhen Huade co-create Technology Co., LTD
电话: 0755-23304126 传真: 0755-29940187

| | | | | | | |
|---|-------|--------|----------------------------------|-------------------|---------------------------------|------------------------|
| -TOLERANCES- UNLESS OTHERWISE SPECIFIED 公差参数表 | | | TITLE: 产品名称: FPC 0.5间距1.5高掀盖式 | | | |
| X.X | ±0.30 | X.X* | ±3° | APPD: 核准: | PART NO: 产品编号: 0.5K-1.5-nPWB | |
| X.XX | ±0.20 | X.XX* | ±2° | CHECK: 校对: 王建业 | DATE | SCALE UNIT CODE NUMBER |
| X.XXX | ±0.10 | X.XXX* | ±1° | DRAW: 绘图: 黄艳兰 | 2016-03-12 | 1:1 mm A001 |

X-ON Electronics

Largest Supplier of Electrical and Electronic Components

Click to view similar products for [FFC & FPC Connectors](#) category:

Click to view products by [HDGC](#) manufacturer:

Other Similar products are found below :

[00-6200-227-022-800](#) [006205250500825+](#) [006205280500825+](#) [FPH-1602G](#) [52610-1275](#) [501864-3091-TR225](#) [086222026001800](#) [52610-0675](#) [62674-201121DLF](#) [62684-36210E9ALF](#) [52746-1671-TR250](#) [10051922-2810EHLF](#) [686322124422](#) [XF3M-2915-1B-R100](#) [AYF353125A](#) [AYF530665TA](#) [AYF534065TA](#) [20FLH-RSM1-TB](#) [AYF351525](#) [086212040340800+](#) [AYF530365TA](#) [67000-004LF](#) [006207341915000+](#) [207356-1](#) [67000-003LF](#) [HFW14R-2STE9LF](#) [SFW12R-5STE9LF](#) [SFW18R-1STAE9LF](#) [SFW4R-5STE9LF](#) [52807-0430](#) [046283021002868+](#) [502250-8027](#) [104267-9617](#) [66987-011LF](#) [HFW8S-2STAE1HLF](#) [67000-008LF](#) [HFW22R-2STE1H1LF](#) [0781271110](#) [0781272410](#) [0781272810](#) [5019511030](#) [FH28K-40S-0.5SH](#) [200528-0260](#) [5039084120](#) [503908-5120](#) [SFW20R-1STGE5LF](#) [FH12-18S-0.5SH](#) [686116183522](#) [686114183522](#) [502078-5362](#)