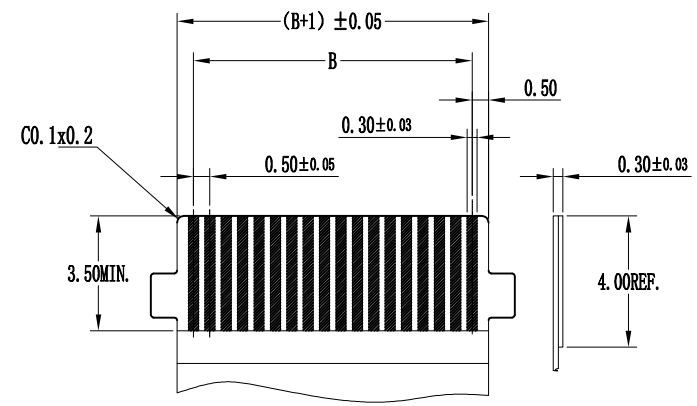
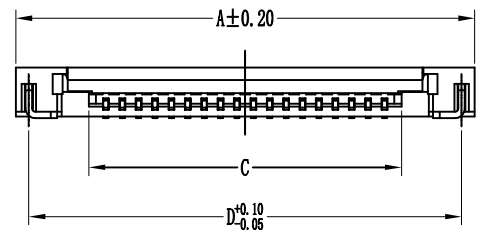
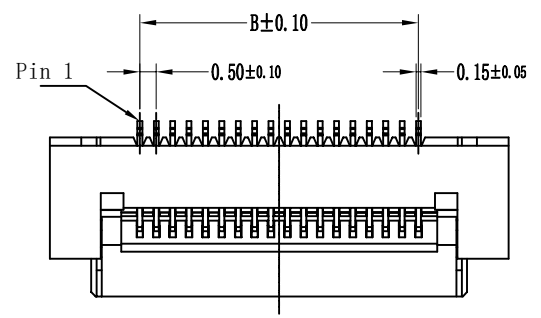
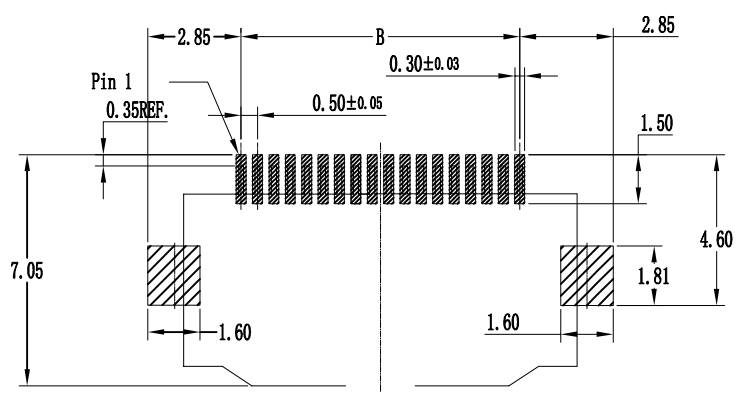
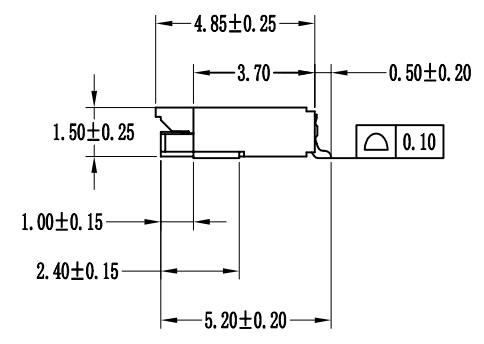


| REV | MARK | 修改摘要 REVISION DESCRIPTION | 签名 SIGNATURE | 日期 DATE |
|-----|------|------------------------------|-----------------|------------|
| 1 | | NEW DRG | | 2016-03-12 |




APPLICABLE FFC
TOLERANCE: ±0.05




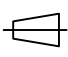
RECOMMEND PCB LAYOUT
TOLERANCE: ±0.05

- NOTES:
- MATERIAL:
HOUSING: HIGH-TEMP PLASTIC, UL 94-V0, COLOR: NATURE;
COVER: HIGH-TEMP PLASTIC, UL 94-V0, COLOR: BLACK;
CONTACT: Phosphor Bronze;
LEG: Brass;
 - PLATING:
CONTACT: Matte Tin.
LEG: TIN PLATED ON NICKEL OVERALL.
 - RATING:
CURRENT RATING: 0.5A AC/DC
VOLTAGE RATING: 25V AC/DC
TEMPERATURE RANGE: -25° C~+85° C;
 - PART NO:

| Number of Contacts | Dimension | | | |
|--------------------|-----------|-------|-------|-------|
| | A | B | C | D |
| 10 | 10.00 | 4.50 | 5.54 | 9.20 |
| 11 | 10.50 | 5.00 | 6.04 | 9.70 |
| 12 | 11.00 | 5.50 | 6.54 | 10.20 |
| 13 | 11.50 | 6.00 | 7.04 | 10.70 |
| 14 | 12.00 | 6.50 | 7.54 | 11.20 |
| 15 | 12.50 | 7.00 | 8.04 | 11.70 |
| 16 | 13.00 | 7.50 | 8.54 | 12.20 |
| 17 | 13.50 | 8.00 | 9.04 | 12.70 |
| 18 | 14.00 | 8.50 | 9.54 | 13.20 |
| 19 | 14.50 | 9.00 | 10.04 | 13.70 |
| 20 | 15.00 | 9.50 | 10.54 | 14.20 |
| 21 | 15.50 | 10.00 | 10.94 | 14.70 |
| 22 | 16.00 | 10.50 | 11.44 | 15.20 |
| 23 | 16.50 | 11.00 | 11.90 | 15.70 |
| 24 | 17.00 | 11.50 | 11.04 | 16.20 |
| 25 | 17.50 | 12.00 | 11.54 | 16.70 |



深圳市华德共创科技有限公司
Shenzhen Huade co-create Technology Co., LTD
电话: 0755-23304126 传真: 0755-29940187

| -TOLERANCES- UNLESS OTHERWISE SPECIFIED 公差参数表 | |   | | TITLE: 产品名称: FPC 0.5间距1.5高带蝴蝶扣掀盖式 | | | | |
|---|-------|---|-----|--------------------------------------|-----------------------------------|-------|------|-------------|
| X.X | ±0.30 | X.X* | ±3° | APPD: 核准: | PART NO: 产品编号: 0.5K-1.5DK-nPWB | | | |
| X.XX | ±0.20 | X.XX* | ±2° | CHECK: 校对: 王建业 | DATE | SCALE | UNIT | CODE NUMBER |
| X.XXX | ±0.10 | X.XXX* | ±1° | DRAW: 绘图: 黄艳兰 | 2016-03-12 | 1:1 | mm | A001 |

X-ON Electronics

Largest Supplier of Electrical and Electronic Components

Click to view similar products for [FFC & FPC Connectors](#) category:

Click to view products by [HDGC](#) manufacturer:

Other Similar products are found below :

[00-6200-227-022-800](#) [006205250500825+](#) [006205280500825+](#) [FPH-1602G](#) [52610-1275](#) [XF3M\(1\)-1415-1B-R100](#) [501864-3091-TR225](#)
[086222026001800](#) [52610-0675](#) [62674-201121DLF](#) [62684-36210E9ALF](#) [52746-1671-TR250](#) [10051922-2810EHLF](#) [686322124422](#) [XF3M-](#)
[2915-1B-R100](#) [AYF353125A](#) [AYF530665TA](#) [AYF534065TA](#) [20FLH-RSM1-TB](#) [AYF351525](#) [086212040340800+](#) [AYF530365TA](#) [67000-](#)
[004LF](#) [006207341915000+](#) [207356-1](#) [67000-003LF](#) [SFW12R-5STE9LF](#) [SFW18R-1STAE9LF](#) [SFW4R-5STE9LF](#) [52807-0430](#)
[046283021002868+](#) [502250-8027](#) [104267-9617](#) [66987-011LF](#) [HFW8S-2STAE1HLF](#) [67000-008LF](#) [HFW22R-2STE1H1LF](#) [0781271110](#)
[0781272410](#) [0781272810](#) [5019511030](#) [FH28K-40S-0.5SH](#) [200528-0260](#) [5039084120](#) [503908-5120](#) [SFW20R-1STGE5LF](#) [FH12-18S-0.5SH](#)
[686116183522](#) [686114183522](#) [502078-5362](#)