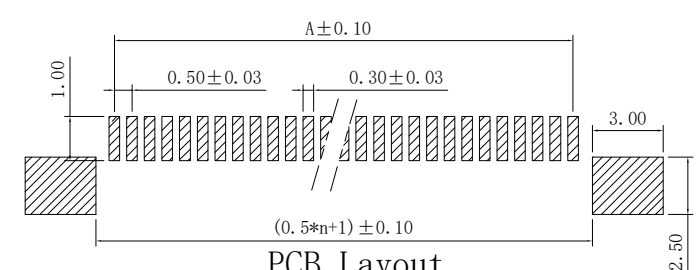
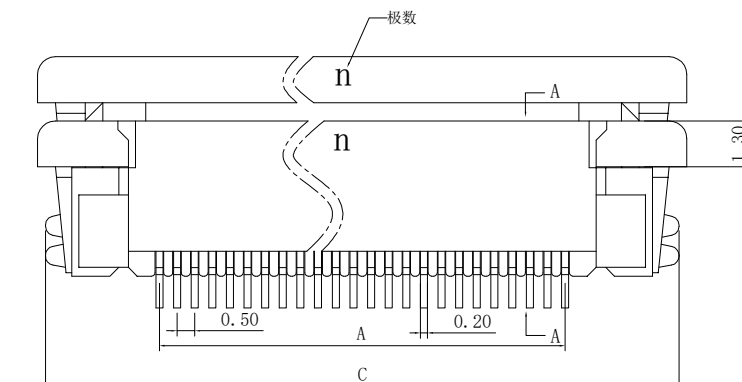
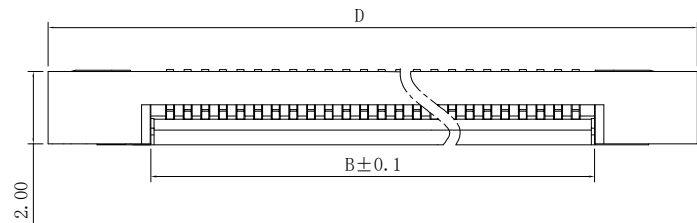


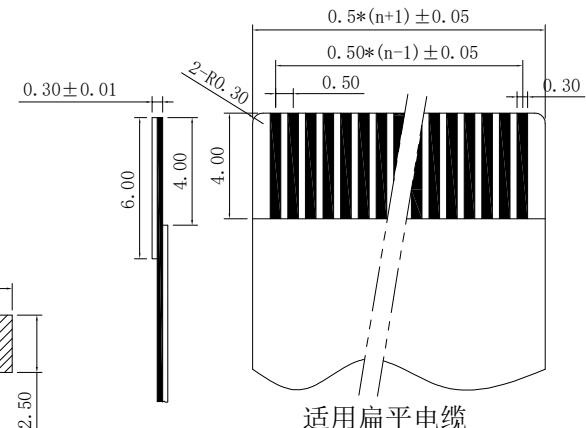
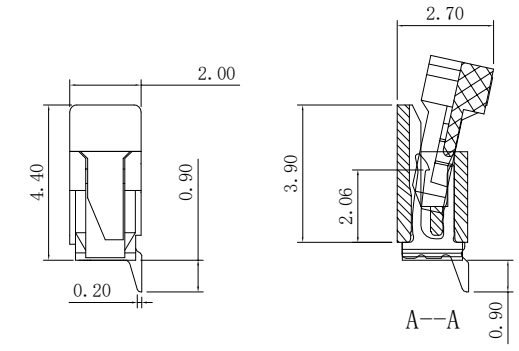
|           |        |                         |           |            |
|-----------|--------|-------------------------|-----------|------------|
| 修<br>订    | 标<br>记 | 修<br>改<br>描<br>要        | 签<br>名    | 日<br>期     |
| REV<br>NO | MARK   | REVISION<br>DESCRIPTION | SIGNATURE | DATE       |
|           |        | NEW DWG                 |           | 2016-03-12 |

| 孔位 | A     | B     | C     | D     |
|----|-------|-------|-------|-------|
| 4  | 1.50  | 2.60  | 8.00  | 8.70  |
| 5  | 2.00  | 3.10  | 8.50  | 9.20  |
| 6  | 2.50  | 3.60  | 9.00  | 9.70  |
| 7  | 3.00  | 4.10  | 9.50  | 10.20 |
| 8  | 3.50  | 4.60  | 10.00 | 10.70 |
| 9  | 4.00  | 5.10  | 10.50 | 11.20 |
| 10 | 4.50  | 5.60  | 11.00 | 11.70 |
| 11 | 5.00  | 6.10  | 11.50 | 12.20 |
| 12 | 5.50  | 6.60  | 12.00 | 12.70 |
| 13 | 6.00  | 7.10  | 12.50 | 13.20 |
| 14 | 6.50  | 7.60  | 13.00 | 13.70 |
| 15 | 7.00  | 8.10  | 13.50 | 14.20 |
| 16 | 7.50  | 8.60  | 14.00 | 14.70 |
| 17 | 8.00  | 9.10  | 14.50 | 15.20 |
| 18 | 8.50  | 9.60  | 15.00 | 15.70 |
| 19 | 9.00  | 10.10 | 15.50 | 16.20 |
| 20 | 9.50  | 10.60 | 16.00 | 16.70 |
| 21 | 10.00 | 11.10 | 16.50 | 17.20 |
| 22 | 10.50 | 11.60 | 17.00 | 17.70 |
| 23 | 11.00 | 12.10 | 17.50 | 18.20 |
| 24 | 11.50 | 12.60 | 18.00 | 18.70 |
| 25 | 12.00 | 13.10 | 18.50 | 19.20 |
| 26 | 12.50 | 13.60 | 19.00 | 19.70 |
| 27 | 13.00 | 14.10 | 19.50 | 20.20 |
| 28 | 13.50 | 14.60 | 20.00 | 20.70 |
| 29 | 14.00 | 15.10 | 20.50 | 21.20 |
| 30 | 14.50 | 15.60 | 21.00 | 21.70 |
| 31 | 15.00 | 16.10 | 21.50 | 22.20 |
| 32 | 15.50 | 16.60 | 22.00 | 22.70 |
| 33 | 16.00 | 17.10 | 22.50 | 23.20 |
| 34 | 16.50 | 17.60 | 23.00 | 23.70 |
| 35 | 17.00 | 18.10 | 23.50 | 24.20 |
| 36 | 17.50 | 18.60 | 24.00 | 24.70 |
| 37 | 18.00 | 19.10 | 24.50 | 25.20 |
| 38 | 18.50 | 19.60 | 25.00 | 25.70 |
| 39 | 19.00 | 20.10 | 25.50 | 26.20 |
| 40 | 19.50 | 20.60 | 26.00 | 26.70 |
| 41 | 20.00 | 21.10 | 26.50 | 27.20 |
| 42 | 20.50 | 21.60 | 27.00 | 27.70 |
| 43 | 21.00 | 22.10 | 27.50 | 28.20 |
| 44 | 21.50 | 22.60 | 28.00 | 28.70 |
| 45 | 22.00 | 23.10 | 28.50 | 29.20 |
| 46 | 22.50 | 23.60 | 29.00 | 29.70 |
| 47 | 23.00 | 24.10 | 29.50 | 30.20 |
| 48 | 23.50 | 24.60 | 30.00 | 30.70 |
| 49 | 24.00 | 25.10 | 30.50 | 31.20 |
| 50 | 24.50 | 25.60 | 31.00 | 31.70 |
| 51 | 25.00 | 26.10 | 31.50 | 32.20 |
| 52 | 25.50 | 26.60 | 32.00 | 32.70 |
| 53 | 26.00 | 27.10 | 32.50 | 33.20 |
| 54 | 26.50 | 27.60 | 33.00 | 33.70 |
| 55 | 27.00 | 28.10 | 33.50 | 34.20 |
| 56 | 27.50 | 28.60 | 34.00 | 34.70 |
| 57 | 28.00 | 29.10 | 34.50 | 35.20 |
| 58 | 28.50 | 29.60 | 35.00 | 35.70 |
| 59 | 29.00 | 30.10 | 35.50 | 36.20 |
| 60 | 29.50 | 30.60 | 36.00 | 36.70 |



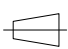


PCB Layout

性能：  
 额定电流：0.5A  
 额定电压：50V  
 耐电压：500V  
 接触电阻：≤20mΩ  
 绝缘电阻：500MΩ  
 工作温度：-20℃~+85℃  
 塑件（材质）：LCP, UL94V-0  
 锁扣（材质）：LCP, UL94V-0  
 插簧（材质）：磷青铜, 镀锡/镀金  
 焊片（材质）：磷青铜, 镀锡/镀金



适用扁平电缆

|   |       |   |     |                                  |                                |
|---|-------|---|-----|----------------------------------|--------------------------------|
|  |       | 深圳市华德共创科技有限公司<br>Shenzhen Huade co-create Technology Co.,LTD<br>电话：0755-23304126 传真：0755-29940187   |     |                                  |                                |
| -TOLERANCES-<br>UNLESS OTHERWISE SPECIFIED<br>公差参数表                                   |       |   |     | TITLE:<br>产品名称： 0.5mm FPC (B型)上接 |                                |
| X.X   | ±0.30 | X.X*  | ±3° | APPD:<br>核准:                     | PART NO:<br>产品编号: 0.5K-BS-nPWB |
| X.XX  | ±0.20 | X.XX*   | ±2° | CHECK:<br>校对: 王建业                | DATE                           |
| X.XXX   | ±0.10 | X.XXX*  | ±1° | DRAW:<br>绘图: 黄艳兰                 | SCALE                          |
|   |       |   |     | 2016-03-12                       | UNIT                           |
|   |       |   |     | 1:1                              | CODE NUMBER                    |
|   |       |   |     | mm                               | A001                           |

## X-ON Electronics

Largest Supplier of Electrical and Electronic Components

*Click to view similar products for [FFC & FPC Connectors](#) category:*

*Click to view products by [HDGC](#) manufacturer:*

Other Similar products are found below :

[00-6200-227-022-800](#) [006205250500825+](#) [006205280500825+](#) [FPH-1602G](#) [086222026001800](#) [52610-0675](#) [62674-201121DLF](#) [52746-1671-TR250](#) [10051922-1610EHLF](#) [10051922-2810EHLF](#) [686322124422](#) [XF3M-2915-1B-R100](#) [AYF353125A](#) [AYF530665TA](#) [AYF534065TA](#) [20FLH-RSM1-TB](#) [207356-1](#) [SFW12R-5STE9LF](#) [SFW18R-1STAE9LF](#) [SFW4R-5STE9LF](#) [52807-0430](#) [046283021002868+](#) [FFC05011-10SBB114W5M](#) [502250-8027](#) [67000-008LF](#) [200528-0260](#) [FH28K-10S-0.5SH](#) [FH52K-6S-0.5SH](#) [0.5K-DX-30PWB](#) [DS1020-08-10VBT12](#) [THD0515-34CL-GF](#) [X05A10L28G](#) [ECC2841061EU](#) [1.0K-DHQX-16PWB](#) [1.0K-DHQX-30PWB](#) [1775333-6](#) [10054365-202110ELF](#) [10054365-242110ELF](#) [10054365-282110ELF](#) [10064555-392220HLF](#) [59453-041110EBHLF](#) [59453-091110EDHLF](#) [62674-241141ALF](#) [62684-432100ALF](#) [62684-451100AHLF](#) [62684-5721N0ALF](#) [HFW11R-1STE1MTLF](#) [HFW12R-1STE9LF](#) [HFW14R-1STE9MTLF](#) [HFW18S-2STE9LF](#)