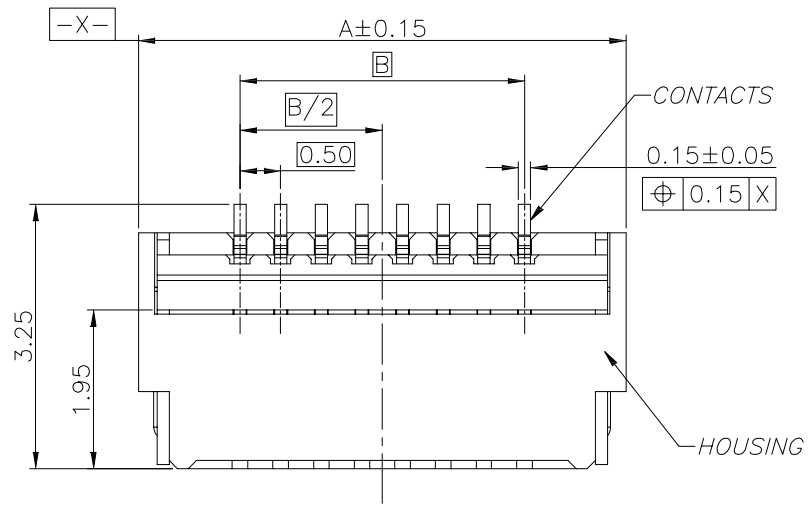
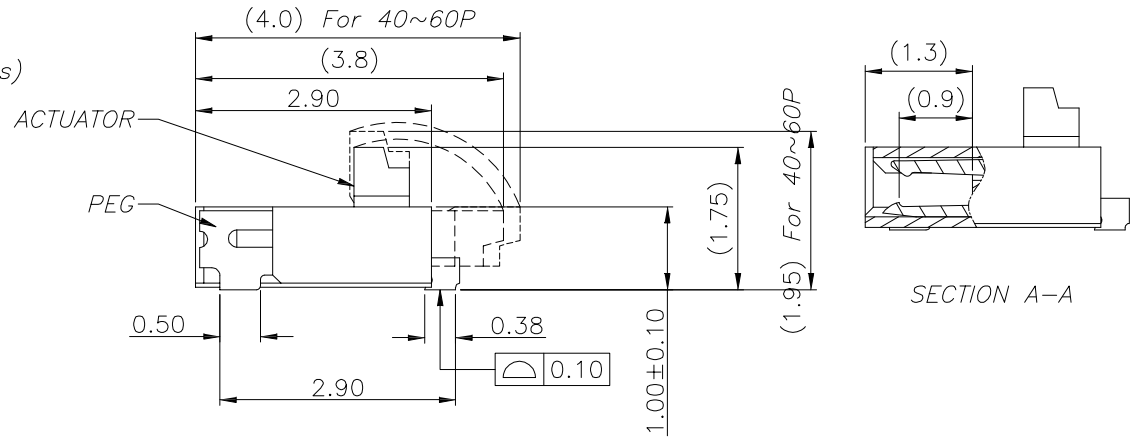
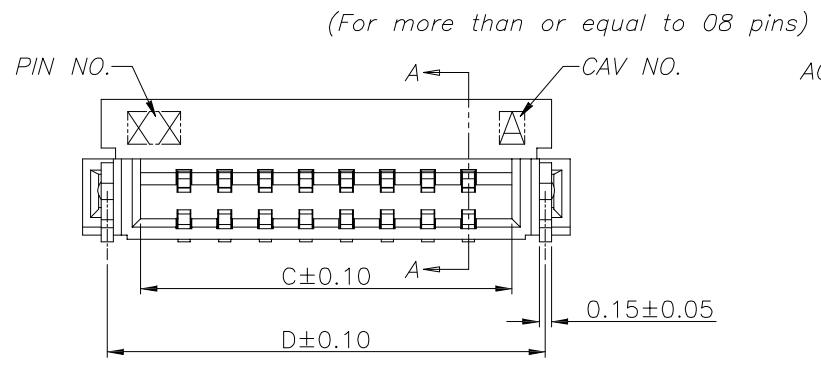


| REV<br>NO | MARK | 修改摘要<br>REVISION DESCRIPTION | 签名<br>SIGNATURE | 日期<br>DATE |
|-----------|------|------------------------------|-----------------|------------|
|           |      | NEW DRG                      |                 | 2016-03-12 |

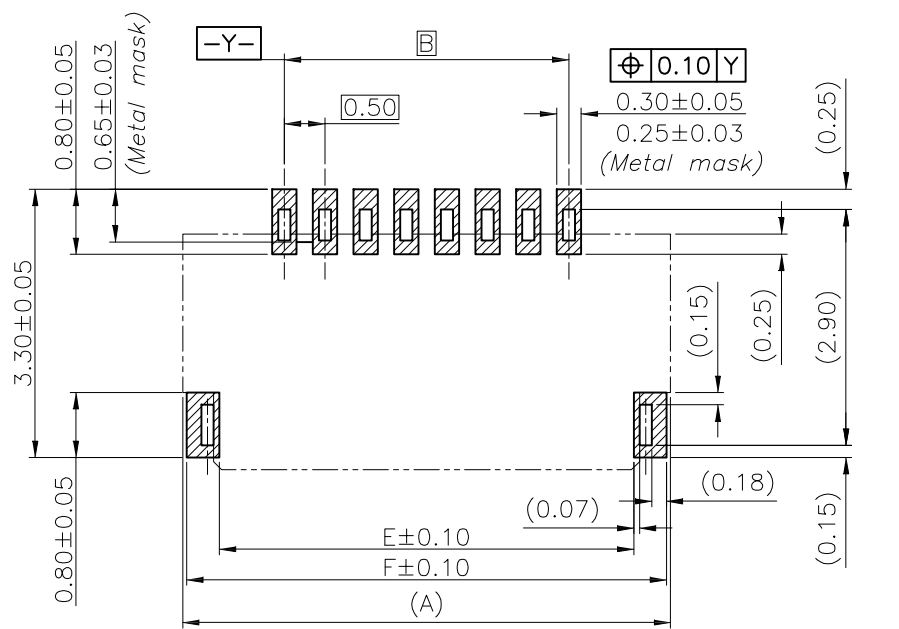


NOTE:  
 1. MATERIAL:  
 HOUSING: HIGH TEMPERATURE THERMOPLASTIC(UL94V-0), COLOR: NATURAL.  
 CONTACTS: COPPER ALLOY.  
 PEG: COPPER ALLOY.  
 ACTUATOR: HIGH TEMPERATURE THERMOPLASTIC(UL94-V0).  
 2. RATING:  
 OPERATING VOLTAGE: 50Vrms AC.  
 CURRENT RATING: 0.5A.  
 OPERATING TEMPERATURE: -55°C~+85°C.  
 OPERATING HUMIDITY RANGE: RELATIVE HUMIDITY 90% MAX.(NO CONDENSATION)  
 STORAGE TEMPERATURE RANGE: -10°C~+50°C.  
 STORAGE HUMIDITY RANGE: RELATIVE HUMIDITY 90% MAX.(NO CONDENSATION)

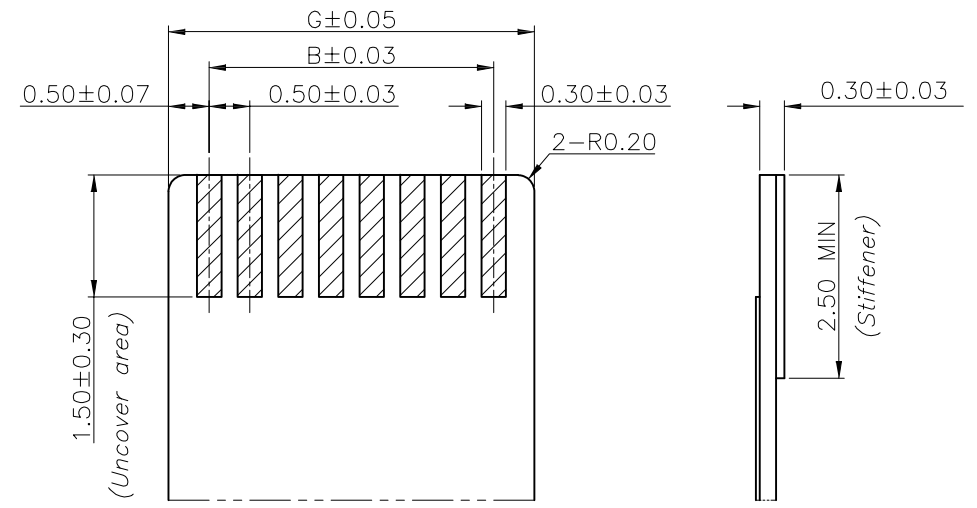


|   |       |   |     |                                |             |
|---|-------|---|-----|--------------------------------|-------------|
|   |       | 深圳市华德共创科技有限公司<br>Shenzhen Huade co-create Technology Co.,LTD<br>电话: 0755-23304126 传真: 0755-29940187 |     |                                |             |
|   |       | TITLE:<br>产品名称: FPC 0.5间距1.0高前插后掀盖式   |     |                                |             |
| -TOLERANCES-<br>UNLESS OTHERWISE SPECIFIED<br>公差参数表 |       |   |     | PART NO:<br>产品编号: 0.5K-HX-4PWB |             |
| X.X   | ±0.30 | X.X*  | ±3° | APPD:<br>核准:                   |             |
| X.XX  | ±0.20 | X.XX*   | ±2° | CHECK:<br>校对: 王建业              | DATE        |
| X.XXX   | ±0.10 | X.XXX*  | ±1° | DRAW:<br>绘图: 黄艳兰               | SCALE       |
|   |       |   |     | 2016-03-12                     | UNIT        |
|   |       |   |     | 1:1                            | CODE NUMBER |
|   |       |   |     | mm                             | A001        |

|                     |                |   |                     |                |
|---------------------|----------------|---|---------------------|----------------|
| 修<br>订<br>REV<br>NO | 标<br>记<br>MARK | 修<br>改<br>描<br>要<br>REVISION<br>DESCRIPTION | 签<br>名<br>SIGNATURE | 日<br>期<br>DATE |
|                     |                | NEW DRG                                     |                     | 2016-03-12     |



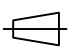


Recommended PCB mounting pattern and metal mask dimensions  
Recommended metal mask thickness:  $t=0.1$



Recommended FPC/FFC Dimensions

|                 |       |       |       |       |       |       |       |
|-----------------|-------|-------|-------|-------|-------|-------|-------|
| 50              | 27.00 | 24.50 | 25.57 | 26.39 | 26.10 | 26.90 | 25.50 |
| 45              | 24.50 | 22.00 | 23.07 | 23.89 | 23.60 | 24.40 | 23.00 |
| 40              | 22.00 | 19.50 | 20.57 | 21.39 | 21.10 | 21.90 | 20.50 |
| 34              | 19.00 | 16.50 | 17.57 | 18.39 | 18.10 | 18.90 | 17.50 |
| 32              | 18.00 | 15.50 | 16.57 | 17.39 | 17.10 | 17.90 | 16.50 |
| 30              | 17.00 | 14.50 | 15.57 | 16.39 | 16.10 | 16.90 | 15.50 |
| 26              | 15.00 | 12.50 | 13.57 | 14.39 | 14.10 | 14.90 | 13.50 |
| 24              | 14.00 | 11.50 | 12.57 | 13.39 | 13.10 | 13.90 | 12.50 |
| 23              | 13.50 | 11.00 | 12.07 | 12.89 | 12.60 | 13.40 | 12.00 |
| 22              | 13.00 | 10.50 | 11.57 | 12.39 | 12.10 | 12.90 | 11.50 |
| 20              | 12.00 | 9.50  | 10.57 | 11.39 | 11.10 | 11.90 | 10.50 |
| 18              | 11.00 | 8.50  | 9.57  | 10.39 | 10.10 | 10.90 | 9.50  |
| 16              | 10.00 | 7.50  | 8.57  | 9.39  | 9.10  | 9.90  | 8.50  |
| 14              | 9.00  | 6.50  | 7.57  | 8.39  | 8.10  | 8.90  | 7.50  |
| 12              | 8.00  | 5.50  | 6.57  | 7.39  | 7.10  | 7.90  | 6.50  |
| 11              | 7.50  | 5.00  | 6.07  | 6.89  | 6.60  | 7.40  | 6.00  |
| 10              | 7.00  | 4.50  | 5.57  | 6.39  | 6.10  | 6.90  | 5.50  |
| 8               | 6.00  | 3.50  | 4.57  | 5.39  | 5.10  | 5.90  | 4.50  |
| 7               | 5.50  | 3.00  | 4.07  | 4.89  | 4.60  | 5.40  | 4.00  |
| 6               | 5.00  | 2.50  | 3.57  | 4.39  | 4.10  | 4.90  | 3.50  |
| 4               | 4.00  | 1.50  | 2.57  | 3.39  | 3.10  | 3.90  | 2.50  |
| ber of Contacts | DIM A | DIM B | DIM C | DIM D | DIM E | DIM F | DIM G |

|   |       |   |     |                                     |                                |       |      |             |
|---|-------|---|-----|-------------------------------------|--------------------------------|-------|------|-------------|
|  |       | <b>深圳市华德共创科技有限公司</b><br>Shenzhen Huade co-create Technology Co., LTD<br>电话: 0755-23304126 传真: 0755-29940187   |     |                                     |                                |       |      |             |
| -TOLERANCES-<br>UNLESS OTHERWISE SPECIFIED<br>公差参数表                                   |       |   |     | TITLE:<br>产品名称: FPC 0.5间距1.0高前插后掀盖式 |                                |       |      |             |
| X.X   | ±0.30 | X.X*  | ±3° | APPD:<br>核准:                        | PART NO:<br>产品编号: 0.5K-HX-4PWB |       |      |             |
| X.XX  | ±0.20 | X.XX*   | ±2° | CHECK:<br>校对: 王建业                   | DATE                           | SCALE | UNIT | CODE NUMBER |
| X.XXX   | ±0.10 | X.XXX*  | ±1° | DRAW:<br>绘图: 黄艳兰                    | 2016-03-12                     | 1:1   | mm   | A001        |

## X-ON Electronics

Largest Supplier of Electrical and Electronic Components

*Click to view similar products for [FFC & FPC Connectors](#) category:*

*Click to view products by [HDGC](#) manufacturer:*

Other Similar products are found below :

[00-6200-227-022-800](#) [006205250500825+](#) [006205280500825+](#) [FPH-1602G](#) [52610-1275](#) [501864-3091-TR225](#) [086222026001800](#) [52610-0675](#) [62674-201121DLF](#) [62684-36210E9ALF](#) [52746-1671-TR250](#) [10051922-2810EHLF](#) [686322124422](#) [XF3M-2915-1B-R100](#) [AYF353125A](#) [AYF530665TA](#) [AYF534065TA](#) [20FLH-RSM1-TB](#) [AYF351525](#) [086212040340800+](#) [AYF530365TA](#) [67000-004LF](#) [006207341915000+](#) [207356-1](#) [67000-003LF](#) [HFW14R-2STE9LF](#) [SFW12R-5STE9LF](#) [SFW18R-1STAE9LF](#) [SFW4R-5STE9LF](#) [52807-0430](#) [046283021002868+](#) [502250-8027](#) [104267-9617](#) [66987-011LF](#) [HFW8S-2STAE1HLF](#) [67000-008LF](#) [HFW22R-2STE1H1LF](#) [0781271110](#) [0781272410](#) [0781272810](#) [5019511030](#) [FH28K-40S-0.5SH](#) [200528-0260](#) [5039084120](#) [503908-5120](#) [SFW20R-1STGE5LF](#) [FH12-18S-0.5SH](#) [686116183522](#) [686114183522](#) [502078-5362](#)