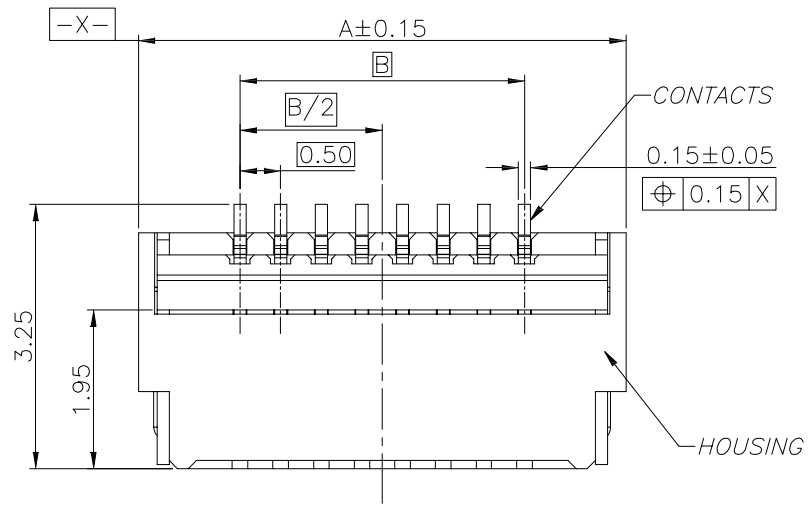
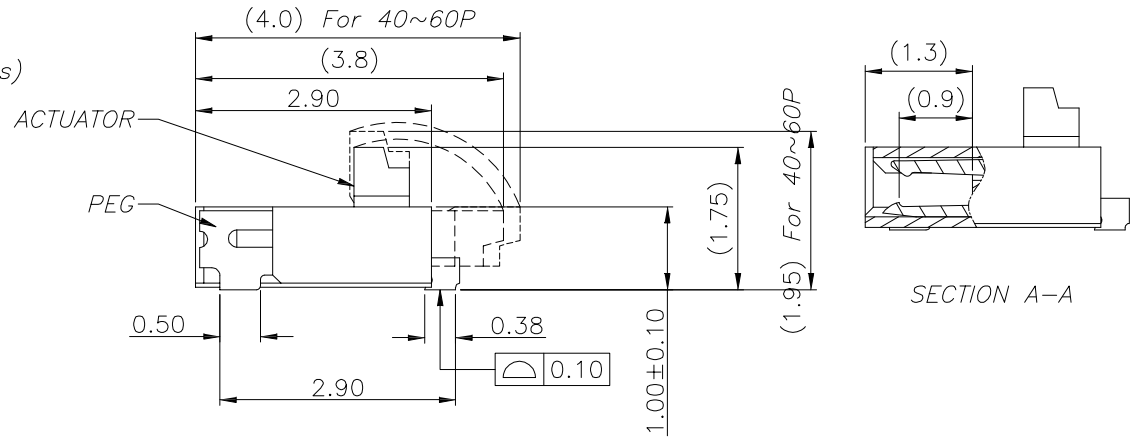
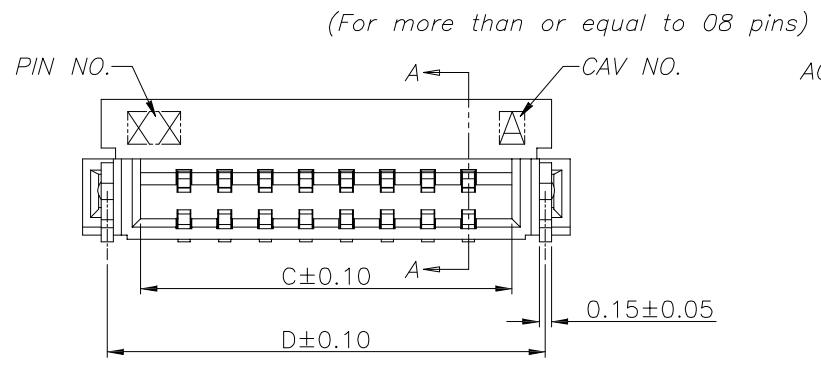


| REV NO | MARK | 修改摘要 REVISION DESCRIPTION | 签名 SIGNATURE | 日期 DATE |
|-----------|------|------------------------------|-----------------|------------|
| | | NEW DRG | | 2016-03-12 |

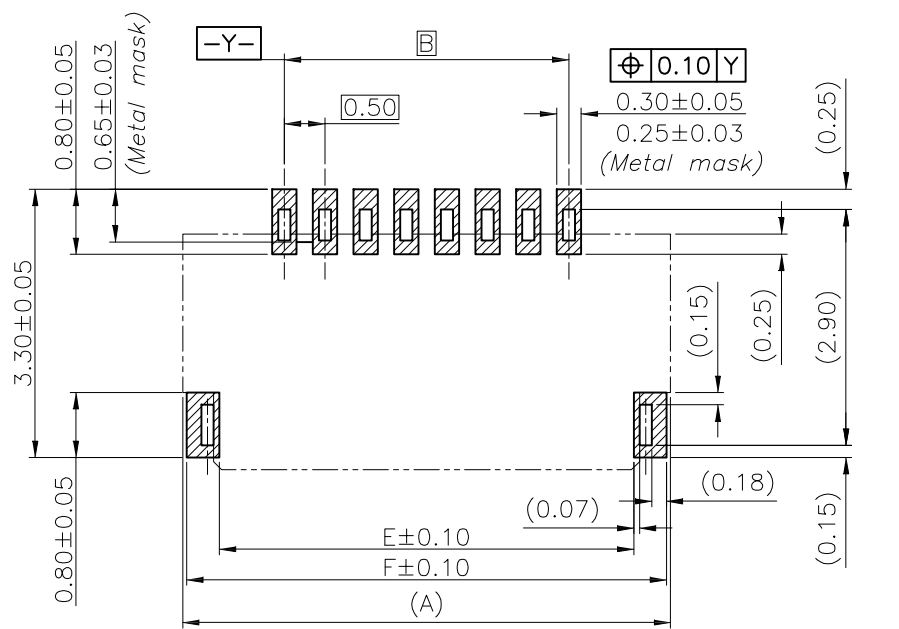


NOTE:
 1. MATERIAL:
 HOUSING: HIGH TEMPERATURE THERMOPLASTIC(UL94V-0), COLOR: NATURAL.
 CONTACTS: COPPER ALLOY.
 PEG: COPPER ALLOY.
 ACTUATOR: HIGH TEMPERATURE THERMOPLASTIC(UL94-V0).
 2. RATING:
 OPERATING VOLTAGE: 50Vrms AC.
 CURRENT RATING: 0.5A.
 OPERATING TEMPERATURE: -55°C~+85°C.
 OPERATING HUMIDITY RANGE: RELATIVE HUMIDITY 90% MAX.(NO CONDENSATION)
 STORAGE TEMPERATURE RANGE: -10°C~+50°C.
 STORAGE HUMIDITY RANGE: RELATIVE HUMIDITY 90% MAX.(NO CONDENSATION)

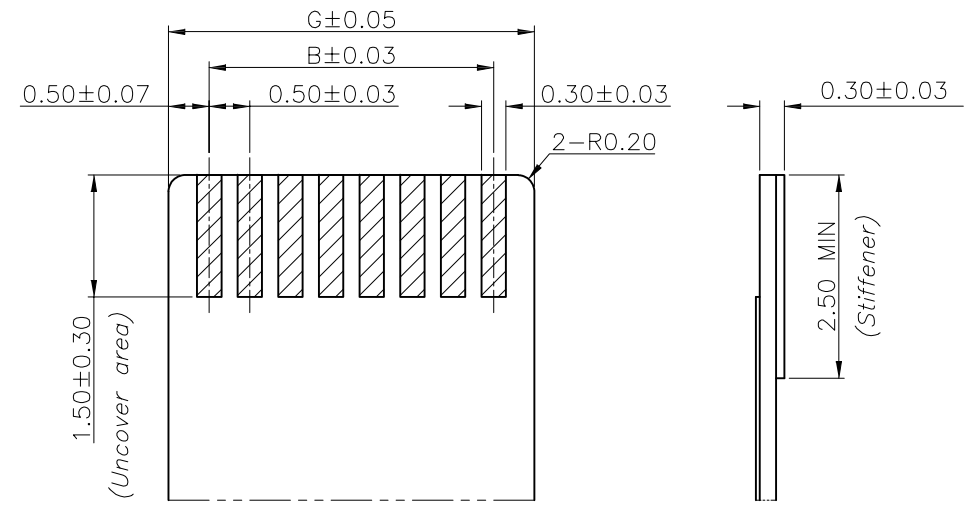


| | | | | | |
|---|-------|---|-----|--------------------------------|-------------|
| | | 深圳市华德共创科技有限公司 Shenzhen Huade co-create Technology Co.,LTD 电话: 0755-23304126 传真: 0755-29940187 | | | |
| | | TITLE: 产品名称: FPC 0.5间距1.0高前插后掀盖式 | | | |
| -TOLERANCES- UNLESS OTHERWISE SPECIFIED 公差参数表 | | | | PART NO: 产品编号: 0.5K-HX-4PWB | |
| X.X | ±0.30 | X.X* | ±3° | APPD: 核准: | |
| X.XX | ±0.20 | X.XX* | ±2° | CHECK: 校对: 王建业 | DATE |
| X.XXX | ±0.10 | X.XXX* | ±1° | DRAW: 绘图: 黄艳兰 | SCALE |
| | | | | 2016-03-12 | UNIT |
| | | | | 1:1 | CODE NUMBER |
| | | | | mm | A001 |

| | | | | |
|---------------------|----------------|---|---------------------|----------------|
| 修 订 REV NO | 标 记 MARK | 修 改 描 要 REVISION DESCRIPTION | 签 名 SIGNATURE | 日 期 DATE |
| | | NEW DRG | | 2016-03-12 |




Recommended PCB mounting pattern and metal mask dimensions
Recommended metal mask thickness: $t=0.1$


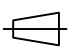


Recommended FPC/FFC Dimensions

| | | | | | | | |
|-----------------|-------|-------|-------|-------|-------|-------|-------|
| 50 | 27.00 | 24.50 | 25.57 | 26.39 | 26.10 | 26.90 | 25.50 |
| 45 | 24.50 | 22.00 | 23.07 | 23.89 | 23.60 | 24.40 | 23.00 |
| 40 | 22.00 | 19.50 | 20.57 | 21.39 | 21.10 | 21.90 | 20.50 |
| 34 | 19.00 | 16.50 | 17.57 | 18.39 | 18.10 | 18.90 | 17.50 |
| 32 | 18.00 | 15.50 | 16.57 | 17.39 | 17.10 | 17.90 | 16.50 |
| 30 | 17.00 | 14.50 | 15.57 | 16.39 | 16.10 | 16.90 | 15.50 |
| 26 | 15.00 | 12.50 | 13.57 | 14.39 | 14.10 | 14.90 | 13.50 |
| 24 | 14.00 | 11.50 | 12.57 | 13.39 | 13.10 | 13.90 | 12.50 |
| 23 | 13.50 | 11.00 | 12.07 | 12.89 | 12.60 | 13.40 | 12.00 |
| 22 | 13.00 | 10.50 | 11.57 | 12.39 | 12.10 | 12.90 | 11.50 |
| 20 | 12.00 | 9.50 | 10.57 | 11.39 | 11.10 | 11.90 | 10.50 |
| 18 | 11.00 | 8.50 | 9.57 | 10.39 | 10.10 | 10.90 | 9.50 |
| 16 | 10.00 | 7.50 | 8.57 | 9.39 | 9.10 | 9.90 | 8.50 |
| 14 | 9.00 | 6.50 | 7.57 | 8.39 | 8.10 | 8.90 | 7.50 |
| 12 | 8.00 | 5.50 | 6.57 | 7.39 | 7.10 | 7.90 | 6.50 |
| 11 | 7.50 | 5.00 | 6.07 | 6.89 | 6.60 | 7.40 | 6.00 |
| 10 | 7.00 | 4.50 | 5.57 | 6.39 | 6.10 | 6.90 | 5.50 |
| 8 | 6.00 | 3.50 | 4.57 | 5.39 | 5.10 | 5.90 | 4.50 |
| 7 | 5.50 | 3.00 | 4.07 | 4.89 | 4.60 | 5.40 | 4.00 |
| 6 | 5.00 | 2.50 | 3.57 | 4.39 | 4.10 | 4.90 | 3.50 |
| 4 | 4.00 | 1.50 | 2.57 | 3.39 | 3.10 | 3.90 | 2.50 |
| ber of Contacts | DIM A | DIM B | DIM C | DIM D | DIM E | DIM F | DIM G |



深圳市华德共创科技有限公司
Shenzhen Huade co-create Technology Co., LTD
电话: 0755-23304126 传真: 0755-29940187

| | | | | | | | | |
|---|-------|---|-------------------------------------|-------------------|--------------------------------|-------|------|-------------|
| -TOLERANCES- UNLESS OTHERWISE SPECIFIED 公差参数表 | |   | TITLE: 产品名称: FPC 0.5间距1.0高前插后掀盖式 | | | | | |
| X.X | ±0.30 | X.X* | ±3° | APPD: 核准: | PART NO: 产品编号: 0.5K-HX-4PWB | | | |
| X.XX | ±0.20 | X.XX* | ±2° | CHECK: 校对: 王建业 | DATE | SCALE | UNIT | CODE NUMBER |
| X.XXX | ±0.10 | X.XXX* | ±1° | DRAW: 绘图: 黄艳兰 | 2016-03-12 | 1:1 | mm | A001 |

X-ON Electronics

Largest Supplier of Electrical and Electronic Components

Click to view similar products for [FFC & FPC Connectors](#) category:

Click to view products by [HDGC](#) manufacturer:

Other Similar products are found below :

[00-6200-227-022-800](#) [006205250500825+](#) [006205280500825+](#) [FPH-1602G](#) [FPH-2022G](#) [52610-1275](#) [501864-3091-TR225](#)
[086222026001800](#) [52610-0675](#) [62674-201121DLF](#) [62684-36210E9ALF](#) [52746-1671-TR250](#) [10051922-2810EHLF](#) [686322124422](#) [XF3M-](#)
[2915-1B-R100](#) [AYF353125A](#) [AYF530665TA](#) [AYF534065TA](#) [AYF351525](#) [086212040340800+](#) [AYF530365TA](#) [67000-004LF](#)
[006207341915000+](#) [207356-1](#) [67000-003LF](#) [HFW14R-2STE9LF](#) [SFW12R-5STE9LF](#) [SFW18R-1STAE9LF](#) [SFW4R-5STE9LF](#) [52807-0430](#)
[046283021002868+](#) [502250-8027](#) [104267-9617](#) [66987-011LF](#) [HFW8S-2STAE1HLF](#) [67000-008LF](#) [HFW22R-2STE1H1LF](#) [0781271110](#)
[5019511030](#) [200528-0260](#) [5039084120](#) [503908-5120](#) [SFW20R-1STGE5LF](#) [FH12-18S-0.5SH](#) [686116183522](#) [FH64MA-11S-0.25SHW](#)
[686114183522](#) [502078-5362](#) [FH52K-68S-0.5SH](#) [FH26W-23S-0.3SHW\(60\)](#)