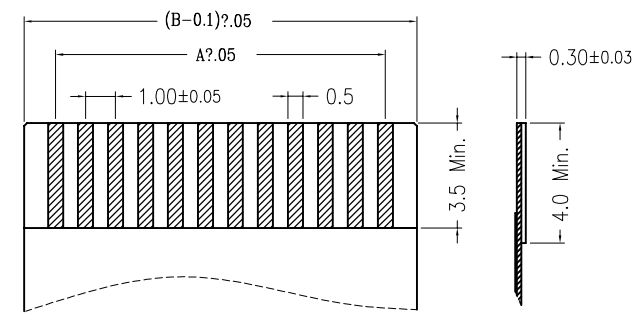
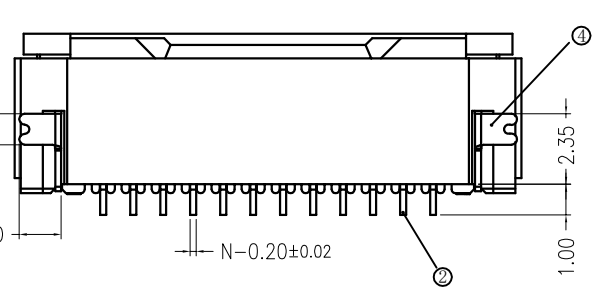
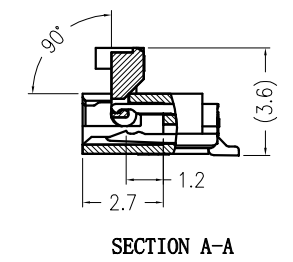
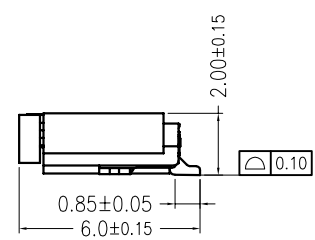
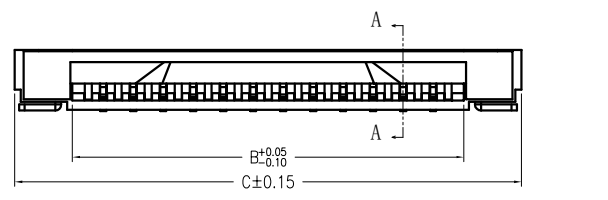
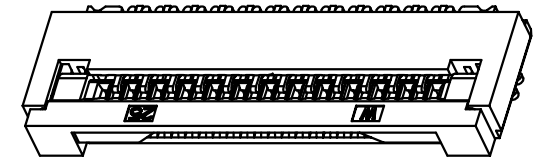
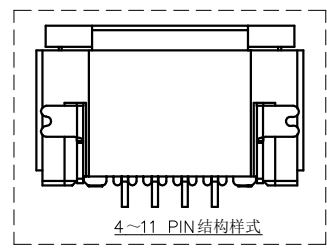
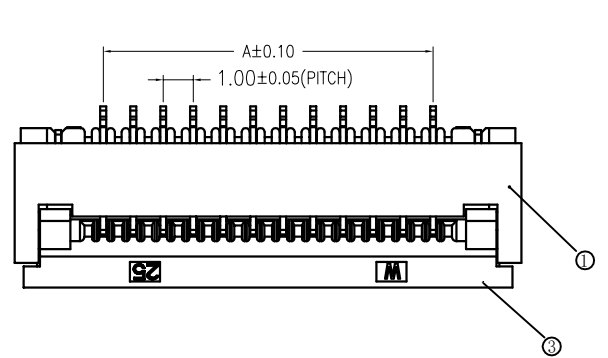


| | | | | |
|---------------------|----------------|---|---------------------|----------------|
| 修 订 REV NO | 标 记 MARK | 修 改 描 要 REVISION DESCRIPTION | 签 名 SIGNATURE | 日 期 DATE |
| | | NEW DWG | | 2016-03-12 |

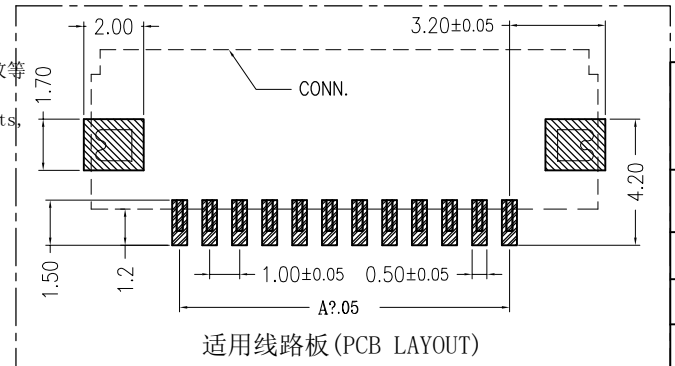
| 序号 (NO.) | 品名 (Name) | 材质 (Material) |
|-------------|--|---|
| ① | 0.5掀盖胶芯(H=2.0) 0.5 Pitch Easy-on Type Housing (H=2.0) | LCP UL94V-0 本色 Natural |
| ② | 0.5掀盖端子(H=2.0) 0.5 Pitch Easy-on Type Terminal (H=2.0) | 磷青铜/表面镀锡 Phosphor Bronze/ Tin Plating |
| ③ | 0.5掀盖后盖(H=2.0) 0.5 Pitch Easy-on Type Actuator (H=2.0) | LCP UL94V-0 黑色 Black |
| ④ | 0.5掀盖焊片(H=2.0) 0.5 Pitch Easy-on Type Fitting Nail (H=2.0) | 磷青铜/表面镀锡 Phosphor Bronze/ Tin Plating |


| CKT | A | B | C |
|-----|-------|-------|-------|
| 4 | 3.00 | 5.06 | 8.90 |
| 5 | 4.00 | 6.06 | 9.90 |
| 6 | 5.00 | 7.06 | 10.90 |
| 7 | 6.00 | 8.06 | 11.90 |
| 8 | 7.00 | 9.06 | 12.90 |
| 9 | 8.00 | 10.06 | 13.90 |
| 10 | 9.00 | 11.06 | 14.90 |
| 11 | 10.00 | 12.06 | 15.90 |
| 12 | 11.00 | 13.06 | 16.90 |
| 13 | 12.00 | 14.06 | 17.90 |
| 14 | 13.00 | 15.06 | 18.90 |
| 15 | 14.00 | 16.06 | 19.90 |
| 16 | 15.00 | 17.06 | 20.90 |
| 17 | 16.00 | 18.06 | 21.90 |
| 18 | 17.00 | 19.06 | 22.90 |
| 19 | 18.00 | 20.06 | 23.90 |
| 20 | 19.00 | 21.06 | 24.90 |
| 21 | 20.00 | 22.06 | 25.90 |
| 22 | 21.00 | 23.06 | 26.90 |
| 23 | 22.00 | 24.06 | 27.90 |
| 24 | 23.00 | 25.06 | 28.90 |
| 25 | 24.00 | 26.06 | 29.90 |
| 26 | 25.00 | 27.06 | 30.90 |
| 27 | 26.00 | 28.06 | 31.90 |
| 28 | 27.00 | 29.06 | 32.90 |
| 29 | 28.00 | 30.06 | 33.90 |
| 30 | 29.00 | 31.06 | 34.90 |
| 32 | 31.00 | 33.06 | 36.90 |





适用扁平线(Applicable Flat Cable)

- 技术指标(Technical Index):
1. 塑件表面应光洁、无毛边、无明显收缩、缺陷、裂纹等现象。(The surface of the plastic parts should be smooth, no rough edges, no obvious shrinkage, defects, cracks and other phenomena.)
 2. 温度范围(Temperature range): -25° C~85° C.
 3. 额定电压(Rated voltage): 50V, AC/DC(=等效).
 4. 接触电阻(Contact resistance): ≤0.03Ω.
 5. 绝缘电阻(Insulation resistance): ≥500MΩ.
 6. 产品料号(Product material No.):





深圳市华德共创科技有限公司
Shenzhen Huade co-create Technology Co., LTD
电话: 0755-23304126 传真: 0755-29940187

| | | | | | | | | |
|---|-------|---|------------------------------|-------------------|----------------------------------|-------|------|-------------|
| -TOLERANCES- UNLESS OTHERWISE SPECIFIED 公差参数表 | |   | TITLE: 产品名称: 1.0间距2.0高掀盖式 | | | | | |
| X.X | ±0.30 | X.X* | ±3° | APPD: 核准: | PART NO: 产品编号: 1.0K-DHGX-nPWB | | | |
| X.XX | ±0.20 | X.XX* | ±2° | CHECK: 校对: 王建业 | DATE | SCALE | UNIT | CODE NUMBER |
| X.XXX | ±0.10 | X.XXX* | ±1° | DRAW: 绘图: 黄艳兰 | 2016-03-12 | 1:1 | mm | A001 |

X-ON Electronics

Largest Supplier of Electrical and Electronic Components

Click to view similar products for [FFC & FPC Connectors](#) category:

Click to view products by [HDGC](#) manufacturer:

Other Similar products are found below :

[00-6200-227-022-800](#) [006205250500825+](#) [006205280500825+](#) [FPH-1602G](#) [52610-1275](#) [XF3M\(1\)-1415-1B-R100](#) [501864-3091-TR225](#)
[086222026001800](#) [52610-0675](#) [62674-201121DLF](#) [62684-36210E9ALF](#) [52746-1671-TR250](#) [10051922-2810EHLF](#) [686322124422](#) [XF3M-](#)
[2915-1B-R100](#) [AYF353125A](#) [AYF530665TA](#) [AYF534065TA](#) [20FLH-RSM1-TB](#) [AYF351525](#) [086212040340800+](#) [AYF530365TA](#) [67000-](#)
[004LF](#) [006207341915000+](#) [207356-1](#) [67000-003LF](#) [SFW12R-5STE9LF](#) [SFW18R-1STAE9LF](#) [SFW4R-5STE9LF](#) [52807-0430](#)
[046283021002868+](#) [502250-8027](#) [104267-9617](#) [66987-011LF](#) [HFW8S-2STAE1HLF](#) [67000-008LF](#) [HFW22R-2STE1H1LF](#) [0781271110](#)
[0781272410](#) [0781272810](#) [5019511030](#) [FH28K-40S-0.5SH](#) [200528-0260](#) [5039084120](#) [503908-5120](#) [SFW20R-1STGE5LF](#) [FH12-18S-0.5SH](#)
[686116183522](#) [686114183522](#) [502078-5362](#)